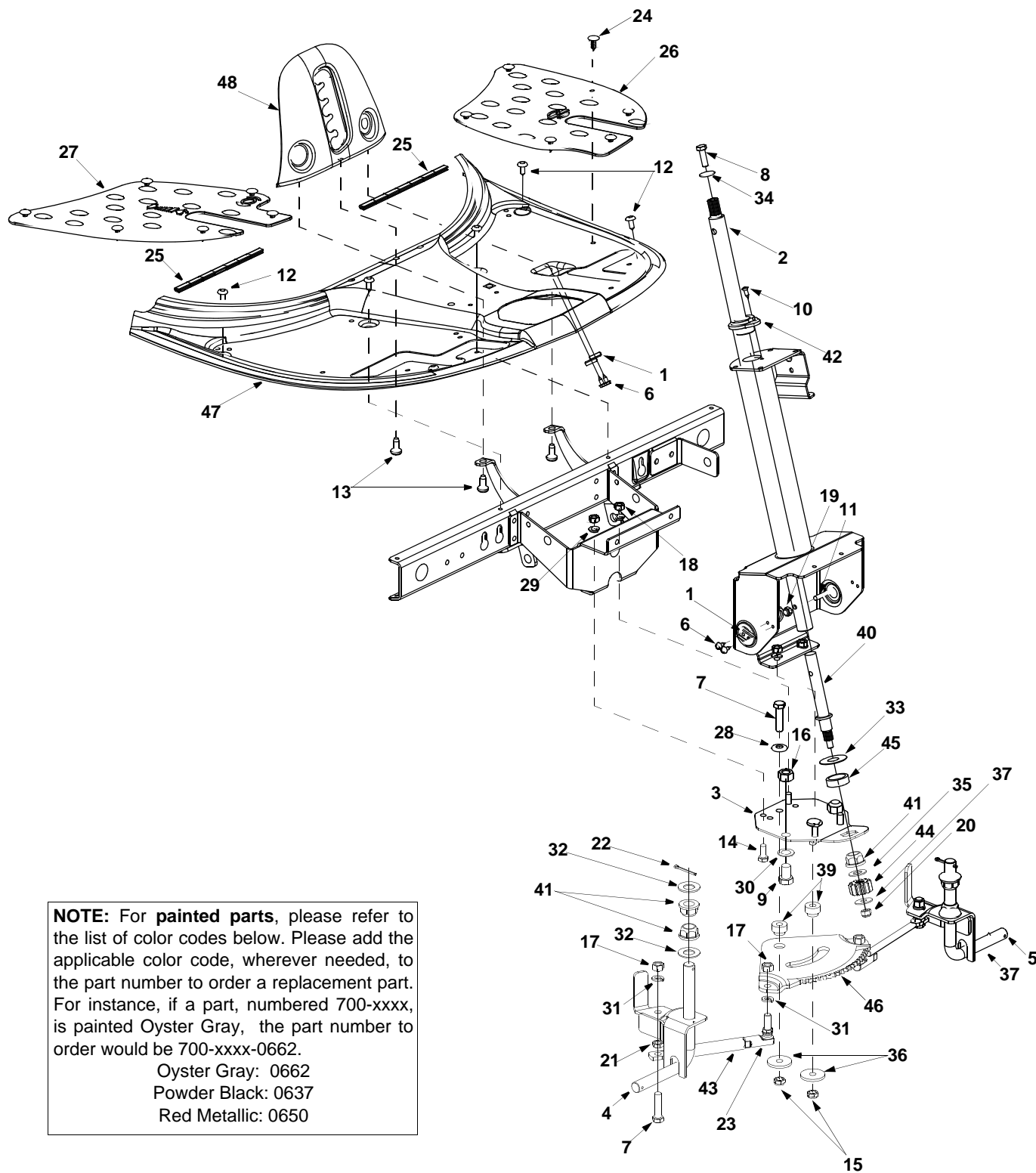




## 2003 Master Book

<b>DESCRIPTION</b>	<b>MODEL NUMBER</b>	<b>PAGE NUMBER</b>
<b><u>LAWN RIDER</u></b>		
LR 927	13A-344-190	2 - 36
<b><u>LAWN TRACTORS</u></b>		
LT 1500	13A2606G190	37 - 52
LT 15	13A2682F190	53 - 69
LT 165	13A2693G190	70 - 84
LT 1650	13A4616G190	85 - 100
LT 1850	13A6616H190	85 - 101
<b><u>GARDEN TRACTORS</u></b>		
GT 2150	14A6816H190	102 - 117
GT 2550	14A9816K190	102 - 117

# Model LR927



**NOTE:** For **painted parts**, please refer to the list of color codes below. Please add the applicable color code, wherever needed, to the part number to order a replacement part. For instance, if a part, numbered 700-xxxx, is painted Oyster Gray, the part number to order would be 700-xxxx-0662.

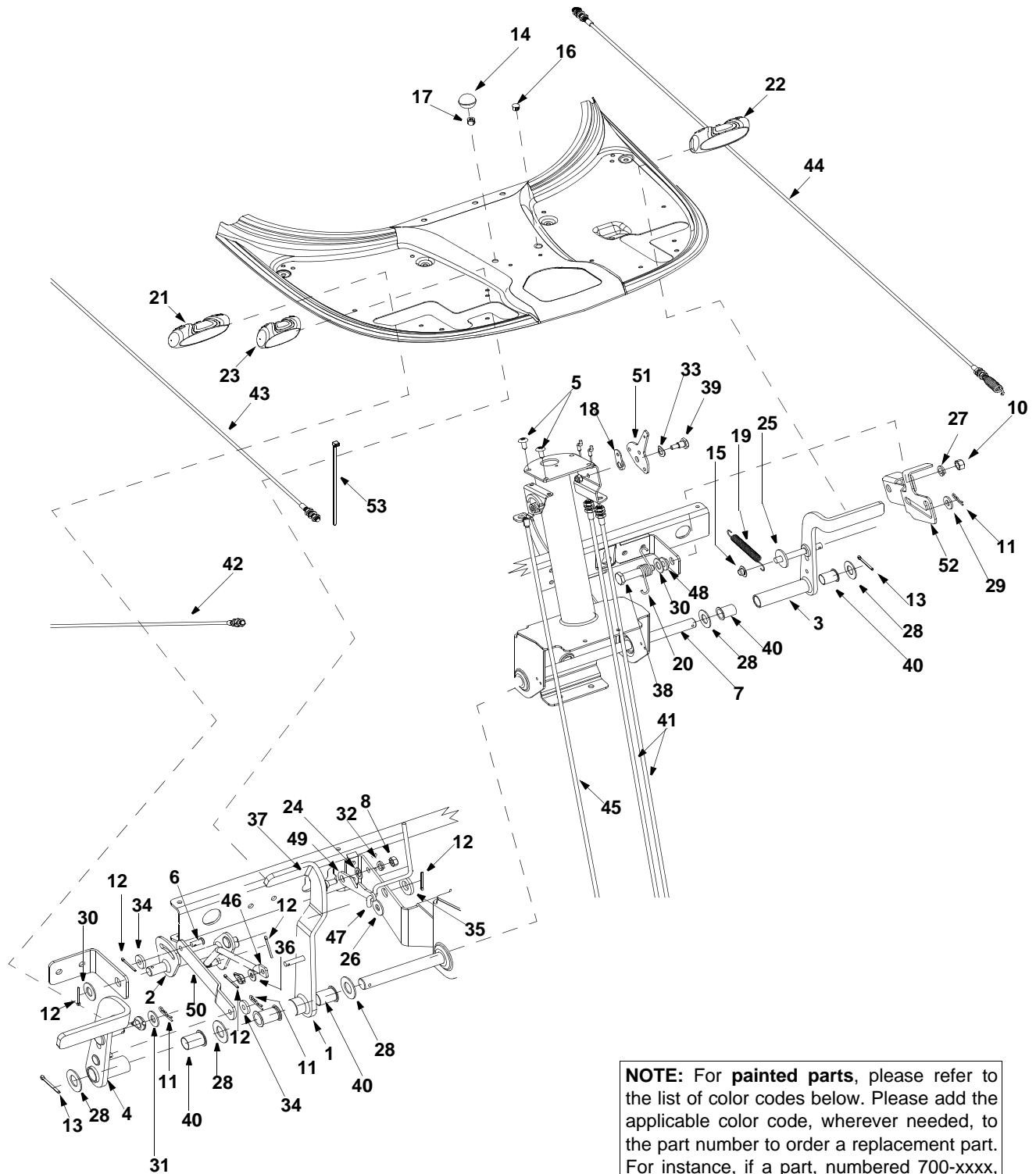
Oyster Gray: 0662  
 Powder Black: 0637  
 Red Metallic: 0650



## Model LR927

Ref. No.	Part No.	Description	Ref. No.	Part No.	Description
1.	17962	Switch Plate	25.	731-0511	Trim Strip
2.	650-0007	Steering Tube Assembly	26.	735-0674	Floor Pad: LH
3.	683-0033A	Steering Support Bracket	27.	735-0266A	Floor Pad: RH
4.	683-0178A	Front Axle Assembly: RH	28.	736-0105	Bell Washer
5.	683-0179A	Front Axle Assembly: LH	29.	736-0119	Lock Washer
6.	710-0224	Hex Screw AB	30.	736-0160	Flat Washer
7.	710-0459A	Hex Screw 3/8-24 x 1.5" Gr.5 Sp.	31.	736-0169	Lock Washer
8.	710-0643	Lock Screw 5/16-18 x 1.0" Gr.5	32.	736-0187	Flat Washer
9.	710-0689	Hex Screw 1/2-13 x 0.75"	33.	736-0196	Flat Washer
10.	710-0837	Oval C-Sunk Screw #10-16 x 0.625"	34.	736-0242	Beleville Washer
11.	710-0958	Hex Screw 1/4-20 x 1.25 Gr.5 Sp.	35.	736-0272	Flat Washer
12.	710-1017	AB Screw 1/4-14 x 0.625"	36.	736-0320	Flat Washer
13.	710-1611B	Self-Tapping Screw 5/16-18 x 0.75"	37.	736-3078	Flat Washer
14.	710-3008	Hex Screw 5/16-18 x 0.75"	38.	737-3007	Grease
15.	712-0116	Lock Nut 3/8-24	39.	738-0541	Spacer
16.	712-0206	Hex Nut 1/2-13	40.	738-3089A	Steering Adapter
17.	712-0241	Hex Nut	41.	741-0225	Hex Flange Bearing
18.	712-0267	Hex Nut	42.	741-0356	Bearing: Steering Column
19.	712-0324	Lock Nut 1/4-20	43.	747-0955	Tie Rod
20.	712-0411	Lock Nut	44.	748-0290	Pinion Gear
21.	712-0711	Jam Nut	45.	750-0532	Spacer
22.	714-0470	Cotter Pin	46.	783-0411	Gear: Steering Segment
23.	723-0156	Ball Joint	47.	783-0565C	Upper Frame Cover
24.	726-3046	Ratchet Clip	48.	783-1013	Lift Plate

# Model LR927



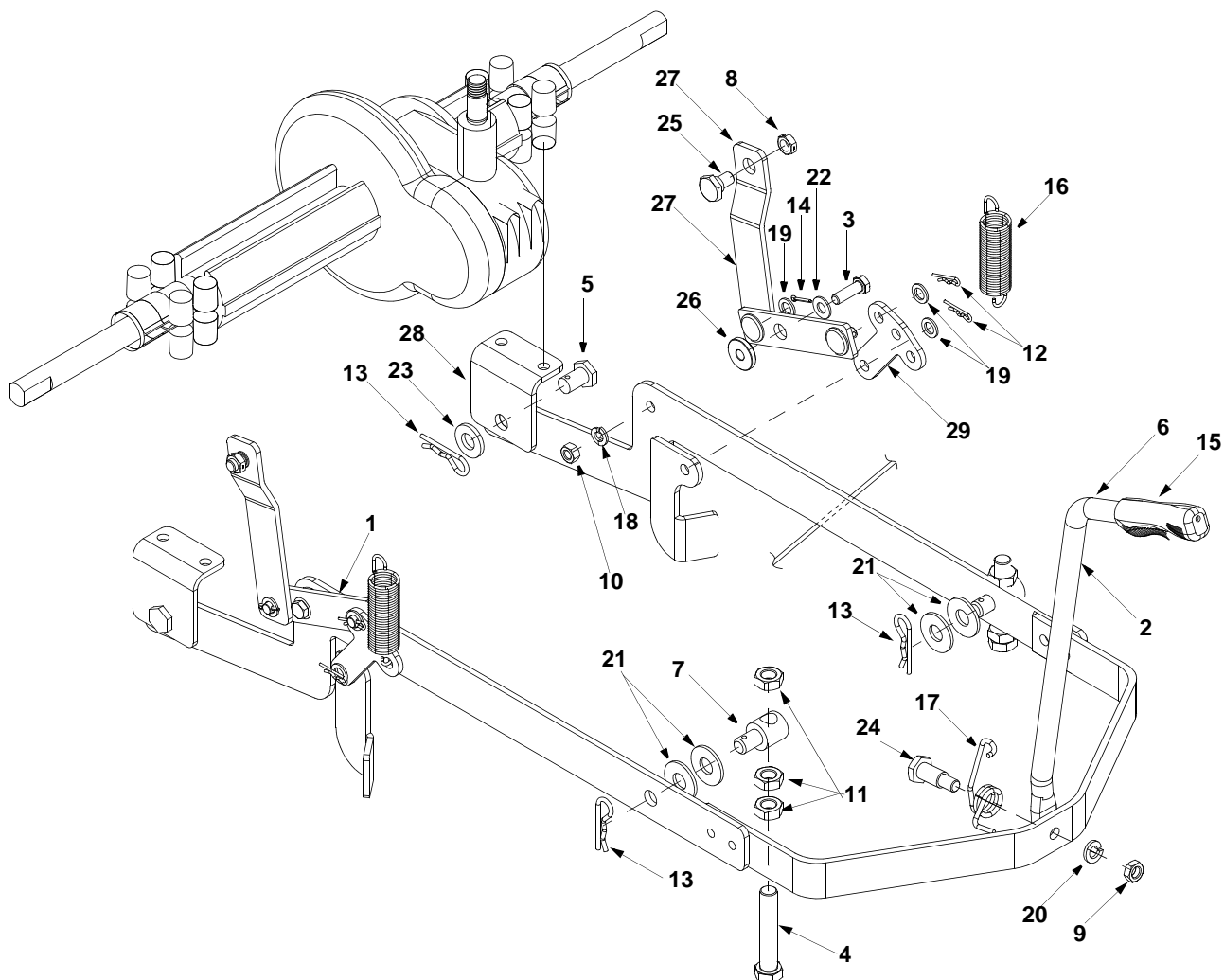
**NOTE:** For painted parts, please refer to the list of color codes below. Please add the applicable color code, wherever needed, to the part number to order a replacement part. For instance, if a part, numbered 700-xxxx, is painted Oyster Gray, the part number to order would be 700-xxxx-0662.

Oyster Gray: 0662  
 Powder Black: 0637  
 Red Metallic: 0650

## Model LR927

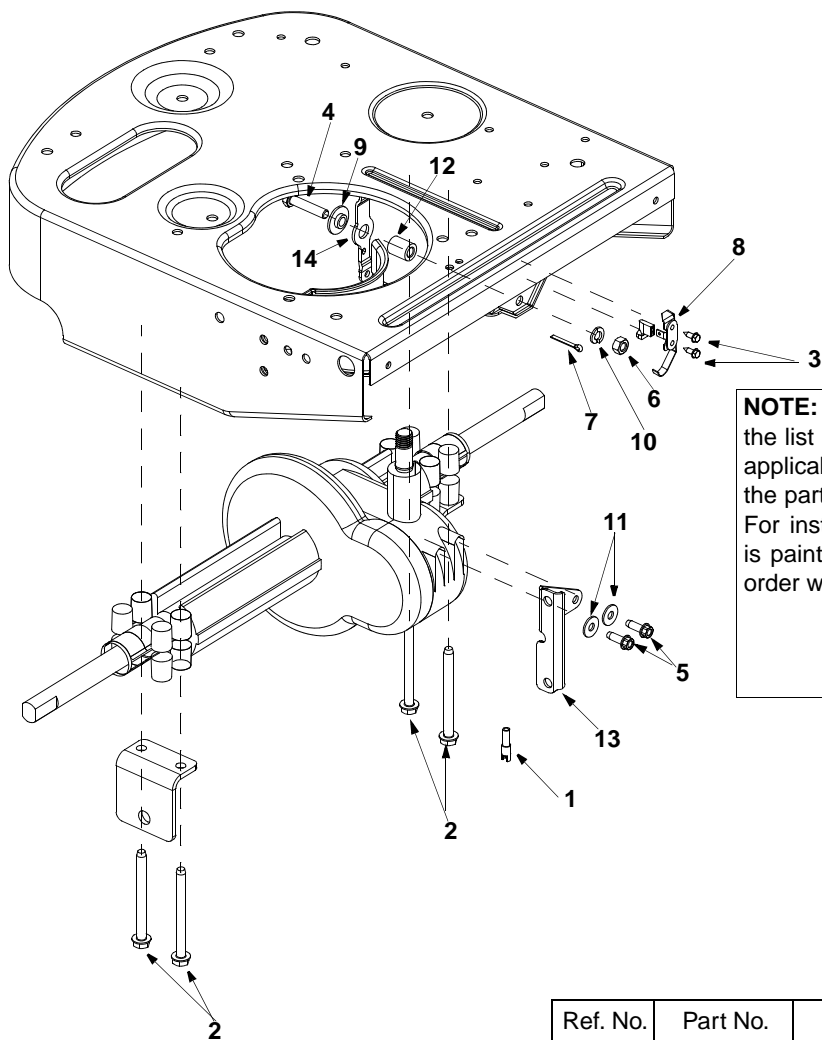
Ref. No.	Part No.	Description	Ref. No.	Part No.	Description
1.	683-0155A	Brake Pedal Assembly	28.	736-0187	Flat Washer
2.	683-0161	Shift Cam Assembly	29.	736-0262	Flat Washer
3.	683-0275A	Deck Pedal Assembly	30.	736-0272	Flat Washer .510 X 1.00 X .060
4.	683-0310A	Variable Pedal Assembly	31.	736-0300	Flat Washer
5.	710-1017	Ab Screw 1/4-14 X .625	32.	736-0329	Lock Washer
6.	711-0701	Clevis Pin	33.	736-0608	Spring Washer
7.	711-1156	Shaft	34.	736-3000	Flat Washer
8.	712-0287	Hex Nut 1/4-20	35.	736-3019	Flat Washer .531 X 1.062 X .134
9.	712-0324	Lock Nut 1/4-20	36.	736-3020	Flat Washer .271 X .630 X .065
10.	712-3017	Hex Nut 3/8-16	37.	738-0255	Shoulder Screw .375 Dia X .18
11.	714-0104	Internal Cotter Pin	38.	738-0373	Shoulder Screw
12.	714-0111	Hairpin Clip	39.	738-0974	Shoulder Screw .375 X .380 X 1/4-20
13.	714-0470	Hairpin Clip	40.	741-0591	Flange Bearing
14.	720-0166	Ball Knob	41.	746-0935A	Shift Cable
15.	726-0100	Push Cap	42.	746-0936	Variable Drive Cable
16.	726-0450	Plug Cap	43.	746-0937	Brake Cable
17.	731-0405	Snap-on Bushing	44.	746-0940	Deck Cable
18.	731-1913	Stop Lever	45.	746-0964	Throttle Choke Cable: 67"
19.	732-0815A	Extension Spring	46.	747-0963A	Brake Rod
20.	732-0865	Torsion Spring	47.	747-0964	Brake Lock Out Rod
21.	735-0261	Drive Pad	48.	750-0736	Shoulder Spacer
22.	735-0262	Deck Pad	49.	783-0473	Brake Lock Out Bracket
23.	735-0263	Brake Pad	50.	783-0525	Self-Propelled Pedal Link
24.	736-0117	Flat Washer 3/8 X .620 X .033	51.	783-0593A	Shift Lever
25.	736-0133	Flat Washer.411 x 1.25" x .100	52.	783-0794	Bracket: Lock-Out Pedal
26.	736-0159	5/16 Washer	53.	726-0157	Cable Tie
27.	736-0169	Lock Washer			

# Model LR927



Ref. No.	Part No.	Description	Ref. No.	Part No.	Description
1.	683-0152	Pivot Link Assembly	16.	732-0829	Extension Spring
2.	683-0194A	Lift Arm Assembly	17.	732-0837	Torsion Spring
3.	710-0376	Hex Screw 5/16-18 X 1.00 Gr.5	18.	736-0119	Lock Washer 5/16
4.	710-3230	Hex Bolt 1/2-13 X 2.75 Gr.5 Spec.	19.	736-0140	Flat Washer .385 x .620
5.	711-0332	Lift Bracket Pin	20.	736-0169	Lock Washer
6.	711-1120	Lift Rod	21.	736-0257	Flat Washer
7.	711-3319	Ferrule	22.	736-0275	Flat Washer 5/16
8.	712-0266	Jam Nut	23.	736-3019	Flat Washer
9.	712-3008	Jam Nut 3/8-16 Gr. 5	24.	738-0145	Shoulder Screw
10.	712-3010	Hex Nut 5/16-18	25.	738-0183	Shoulder Screw
11.	712-3048	Jam Nut	26.	738-0958	Shoulder Spacer
12.	714-0104	Cotter Pin	27.	783-0435	Upper Deck Link
13.	714-0147	Cotter Pin	28.	783-0437	Axle Bracket: Rear
14.	714-3010	Cotter Pin	29.	783-0440	Lower Link
15.	720-0298	Handle Grip			

## Model LR927



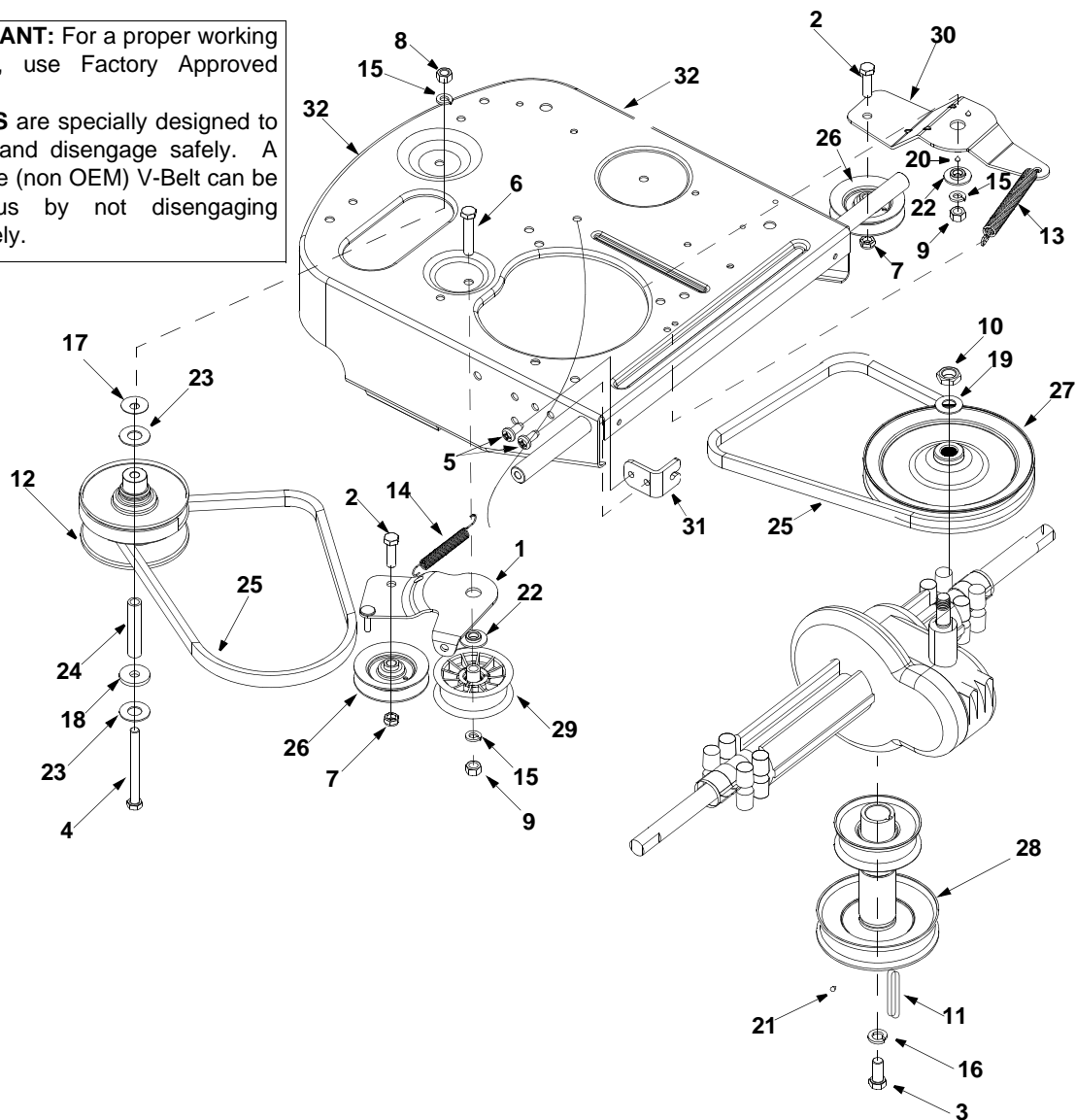
**NOTE:** For **painted parts**, please refer to the list of color codes below. Please add the applicable color code, wherever needed, to the part number to order a replacement part. For instance, if a part, numbered 700-xxxx, is painted Oyster Gray, the part number to order would be 700-xxxx-0662.

Oyster Gray: 0662  
 Powder Black: 0637  
 Red Metallic: 0650

Ref. No.	Part No.	Description
1	629-0865	Harness Assembly Adapter
2	710-1208	Hex TT Screw 5/16-18 x 3.50
3	710-0227	Hex Washer Head Self-Tap.Screw
4	710-0805	Hex Screw 5/16-18 x 1.5 Gr. 5
5	710-0642	Thd. Forming Scr. 1/4-20x .75
6	712-3010	Hex Nut 5/16-18
7	714-0115	Cotter Pin
8	726-0320	Insulator Nut Plate
9	736-0289	Shoulder Bushing
10	736-0119	Lock Washer 5/16
11	736-3000	Flat Washer
12	750-1064	Spacer
13	783-0591	Transaxle Bracket
14	783-0433A	Shift Lever

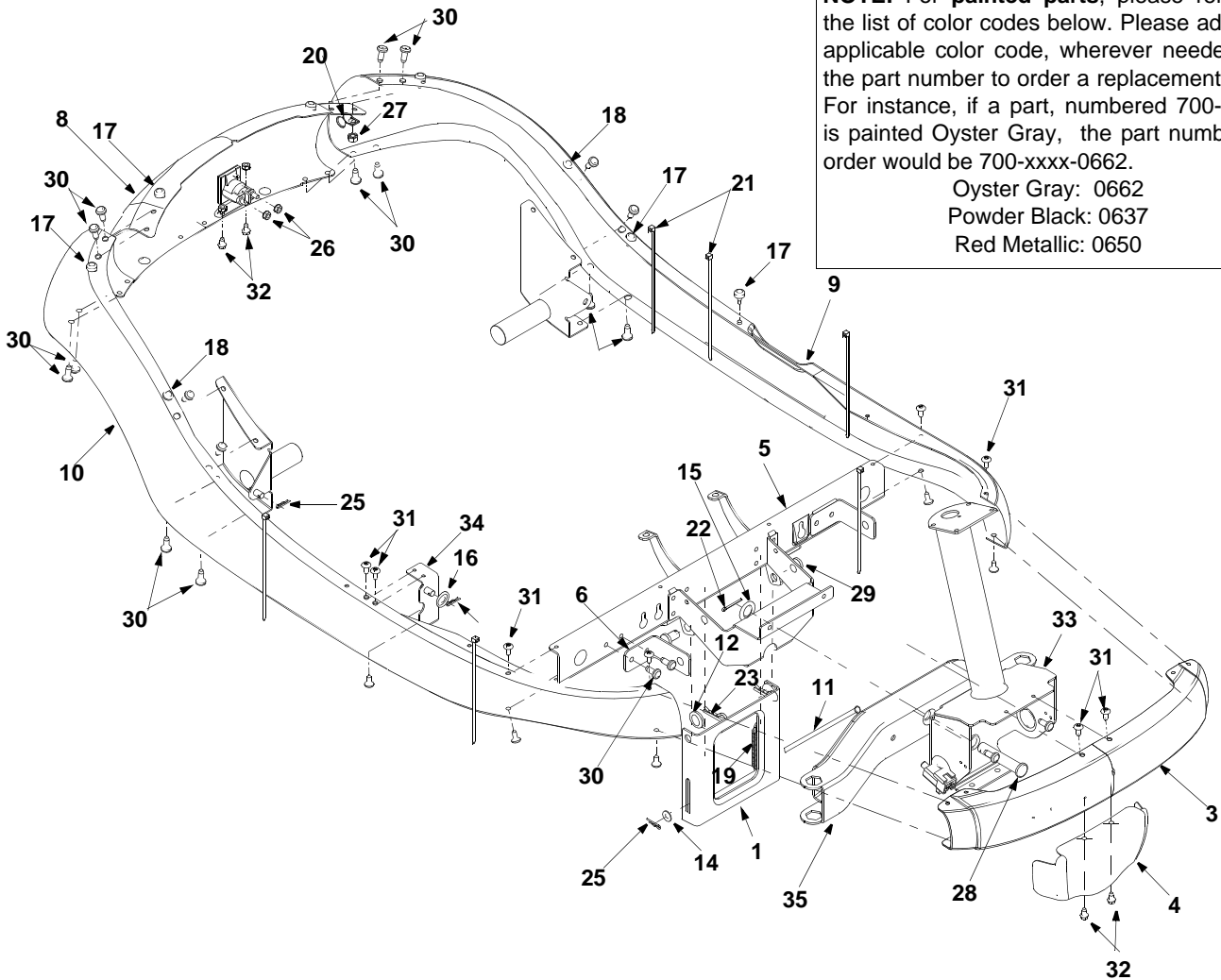
## Model LR927

**IMPORTANT:** For a proper working machine, use Factory Approved Parts.  
**V-BELTS** are specially designed to engage and disengage safely. A substitute (non OEM) V-Belt can be dangerous by not disengaging completely.



Ref. No.	Part No.	Description	Ref. No.	Part No.	Description
1	683-0147A	Idler Bracket Assembly	17	736-0219	Bell Washer
2	710-0191	Hex Screw (Special)	18	736-0247	Flat Washer
3	710-0314	Hex Screw 7/16-20 x 1.0"	19	736-0427	Beleville Washer
4	710-0902	Hex Screw 3/8-24 x 3.75"	20	737-0167	Grease
5	710-1611B	TT Screw	21	737-0288	Grease
6	710-3096	Hex Screw 3/8-16 x 2.0"	22	738-0968	Shoulder Spacer
7	712-0116	Jam Lock Nut	23	741-0405	Thrust Bearing
8	712-0241	Hex Nut 3/8-24	24	750-0705	Slv. Spacer
9	712-3017	Hex Nut 3/8-16	25	754-0453	V-Belt
10	712-3035	Jam Nut 9/16-18	26	756-0116	Idler Pulley
11	714-0114	Sq. Key	27	756-0650	Transmission Pulley
12	717-0884	Variable Speed Pulley Assembly	28	756-0658	Engine Pulley
13	732-0814	Extension Spring	29	756-0981A	Flat Idler Pulley
14	732-0815A	Extension Spring	30	783-0528	Idler Bracket: Variable Speed
15	736-0169	Lock Washer	31	783-0529	Cable Bracket
16	736-0171	Lock Washer	32	683-0149B	Frame Assembly

# Model LR927



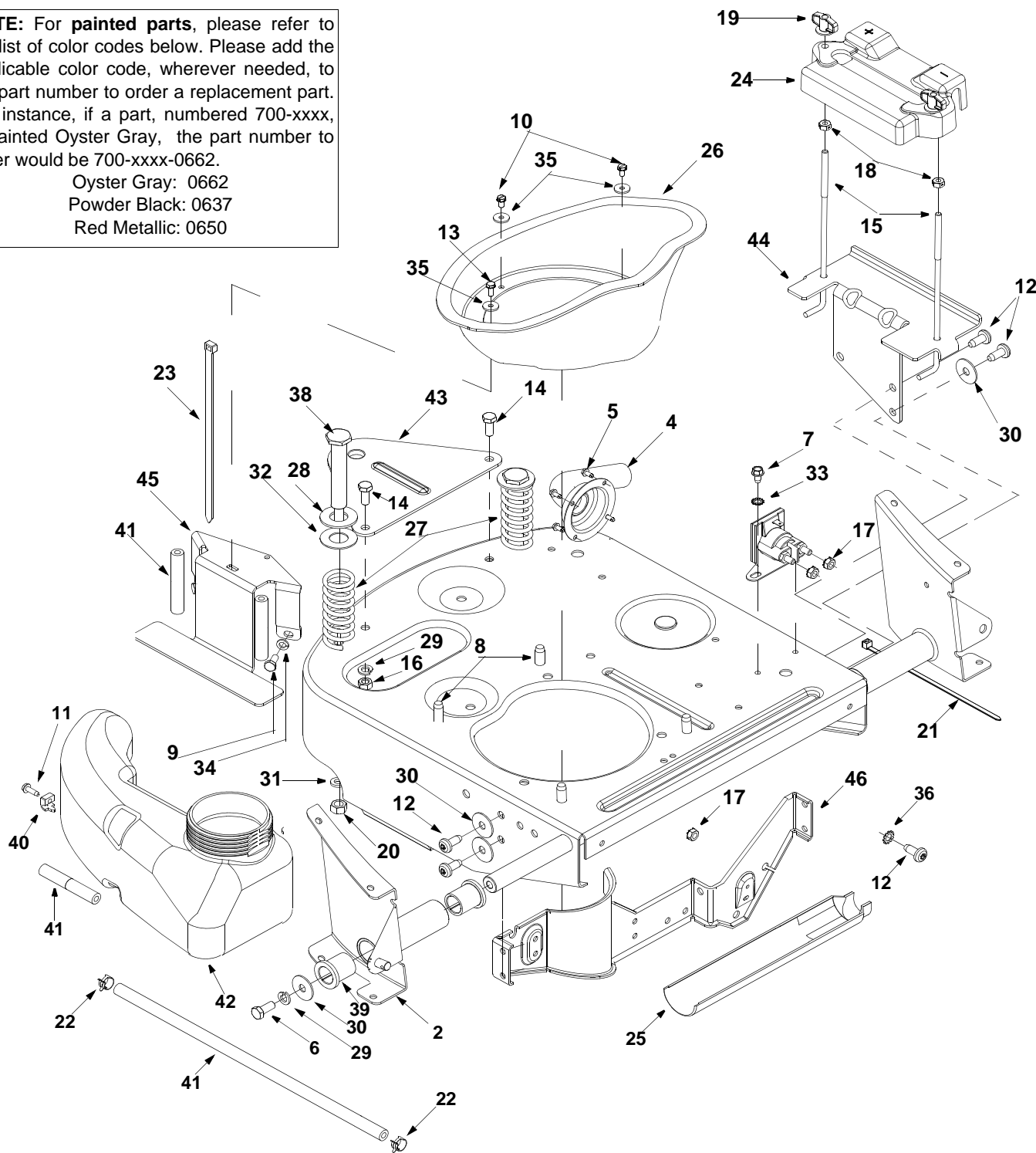
**NOTE:** For painted parts, please refer to the list of color codes below. Please add the applicable color code, wherever needed, to the part number to order a replacement part. For instance, if a part, numbered 700-xxxx, is painted Oyster Gray, the part number to order would be 700-xxxx-0662.

Oyster Gray: 0662  
 Powder Black: 0637  
 Red Metallic: 0650

Ref. No.	Part No.	Description	Ref. No.	Part No.	Description
1	783-0605	Deck Stabilizing Bracket	20	726-0272	Clamp: 9/16 dia.
3	783-0564A	Front Frame: Upper	21	725-0157	Cable Tie
4	783-0811	Steering Gear Cover	22	714-0470	Hairpin Clip
5	683-0264A	Front Channel Assembly	23	714-0147	Hairpin Clip
6	783-0554	Cam Bracket	25	714-0104	Hairpin Clip
8	783-0414A	Frame Rail: Rear	26	712-0271	Hex Nut
9	783-0413	Frame Rail—L.H.	27	712-0265	Hex Nut 1/4-20
10	783-0412B	Frame Rail—R.H.	28	711-1165	Clevis Pin
11	747-0985	Deck Rod	29	711-0332	Lift Bracket Pin
12	736-3019	Flat Washer .531 X 1.062 X .134	30	710-1611B	TT Screw 5/16-18 x .75
14	736-0275	Flat Washer 5/16	31	710-1017	Torx Mach. AB Scr. 1/4-14 x 0.625"
15	736-0187	Flat Washer .64 I.D. X 1.24 X .06	32	710-0599	Hex TT Screw 1/4-20
16	736-0101	Flat Washer 3/8 X 1.00 X .030	33	683-0163A	Steering Support Bracket
17	735-0271	Rubber Bumper	34	683-0160	Pivot Bracket Assembly: Hood
18	735-0199A	Rubber Bumper	35	683-0142	Pivot Bar Assembly
19	732-0829	Extension Spring			

# Model LR927

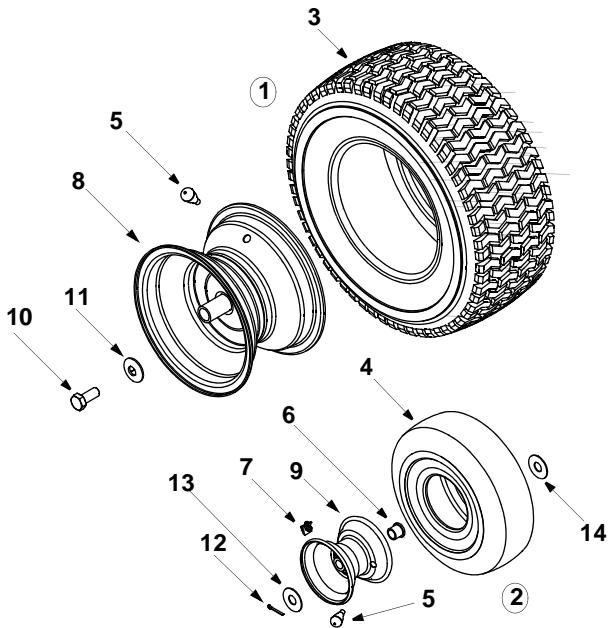
**NOTE:** For **painted parts**, please refer to the list of color codes below. Please add the applicable color code, wherever needed, to the part number to order a replacement part. For instance, if a part, numbered 700-xxxx, is painted Oyster Gray, the part number to order would be 700-xxxx-0662.  
 Oyster Gray: 0662  
 Powder Black: 0637  
 Red Metallic: 0650





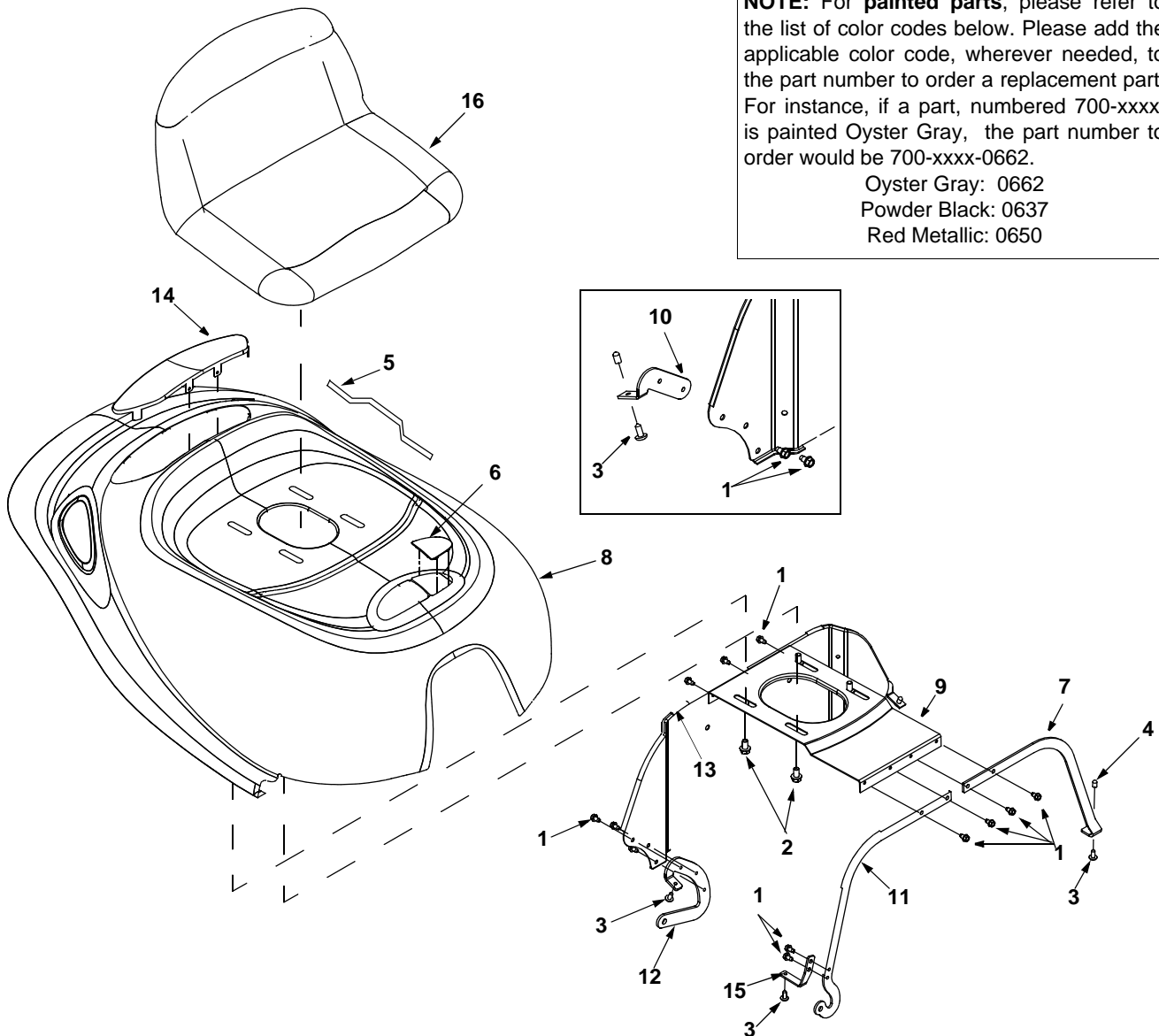
## Model LR927

Ref. No.	Part No.	Description	Ref. No.	Part No.	Description
1.	683-0149B	Frame Assembly	25.	731-1682A	Oil Drain Sleeve
2.	683-0190A	Frame Rail Support: RH	26.	731-1945A	Engine Duct
3.	683-0191A	Frame Rail Support: LH	27.	732-3080A	Compression Spring
4.	683-0192	Muffler Pipe Extension	28.	735-0273	Rubber Washer
5.	710-0148	Hex Fl. Screw #8-32 x 0.375	29.	736-0119	Lock Washer
6.	710-0157	Hex Screw 5/16-24 x .75" Gr.5	30.	736-0123	Flat Washer
7.	710-0599	Self-Tapping Screw	31.	736-0169	Lock Washer
8.	710-0654A	TT Screw 3/8-16 x 1.0"	32.	736-0188	Flat Washer
9.	710-0751	Hex Screw 1/4-20 x 0.5"	33.	736-0222	Lock Washer
10.	710-0871	Hex Slot Sems Screw #10-32 x 0.38	34.	736-0329	Lock Washer
11.	710-1237	TT Screw #10-32 x 0.625"	35.	736-0400	Flat Washer
12.	710-1611B	TT Screw 5/16-18 x 0.75"	36.	736-0607	Lock Washer
13.	710-1653	Machine Screw #10-32 x 0.5"	37.	737-0169	Motor Oil
14.	710-3008	Hex Screw 5/16-18 x 0.75"	38.	738-0960	Shoulder Screw
15.	711-0222A	Battery Hold-Down Rod	39.	741-0516	Flange Bearing
16.	712-0267	Hex Nut 5/16-18	40.	751B213146	Throttle Casing Clamp
17.	712-0271	Hex Sems Nut 1/4-20	41.	751-0535	Fuel Line Hose
18.	712-0291	Lock Nut 1/4-20	42.	751-0656	Fuel Tank
19.	712-0397	Wing Nut with Bell Washer	43.	783-0561	Hitch Plate
20.	712-3017	Hex Nut	44.	783-0624	Battery Bracket
21.	725-0157	Cable Tie	45.	783-0630C	Fuel Tank Bracket
22.	726-0205	Hose Clamp	46.	783-0809B	Transaxle Support Bracket
23.	726-0209	Cable Tie	47.	725-1698	Battery (not shown)
24.	731-0708	Battery Cover			



Ref. No.	Part No.	Description
1.	634-0139	Rear Wheel Compl.
2.	634-0169A	Front Wheel Compl.
3.	734-1727	Rear Tire
4.	734-1382	Front Tire
5.	734-0255	Valve: Tubeless Air
6.	737-0211A	Grease Fitting
7.	741-0353	Flange Bearing
8.	634-0138	Rim Assembly
9.	634-0170A	Rim Assembly
10.	710-0627	Hex Bolt 5/16-24 x .75"
11.	736-0242	Beleville Washer
12.	714-0115	Cotter Pin
13.	736-0285	Flat Washer
14.	736-0156	Flat Washer
15.	731-0484A	Hub Cap (not shown)

# Model LR927

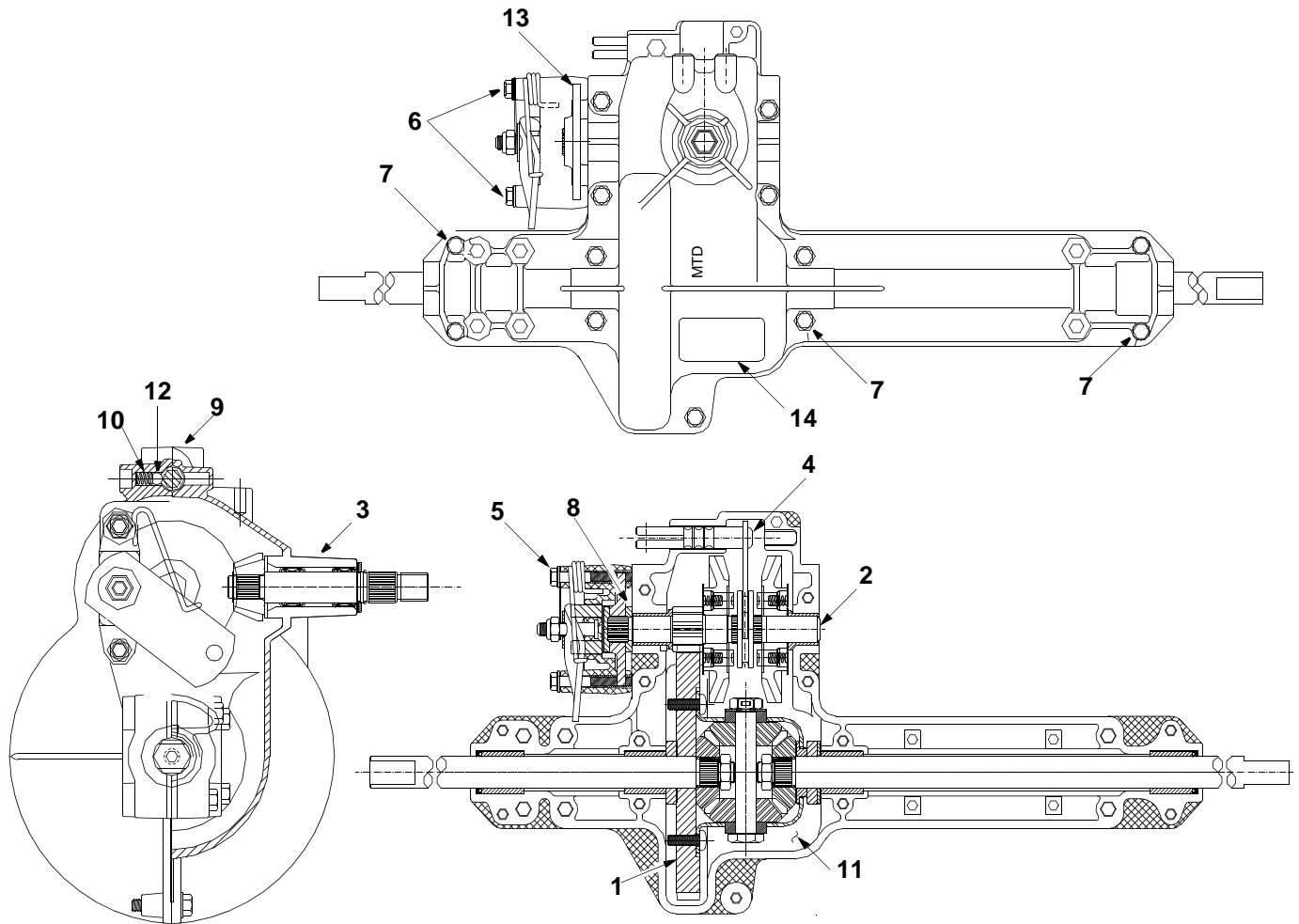


**NOTE:** For **painted parts**, please refer to the list of color codes below. Please add the applicable color code, wherever needed, to the part number to order a replacement part. For instance, if a part, numbered 700-xxxx, is painted Oyster Gray, the part number to order would be 700-xxxx-0662.

Oyster Gray: 0662  
 Powder Black: 0637  
 Red Metallic: 0650

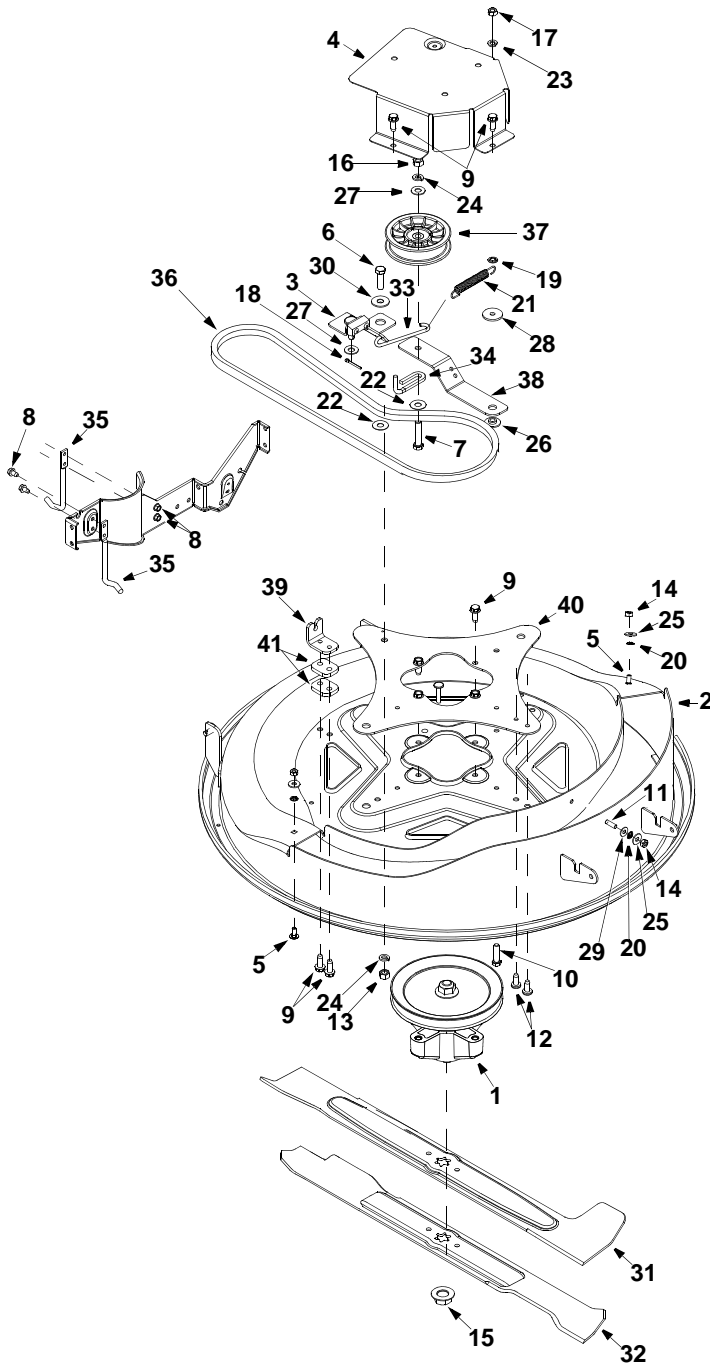
Ref. No.	Part No.	Description	Ref. No.	Part No.	Description
1.	710-0599	TT Screw 1/4-20 x 0.5	9.	783-0446	Plate: Hood
2.	710-0870	TT Screw 3/8-16 x 0.62	10.	783-0447	Hood Bracket
3.	710-1017	Torx AB Screw 1/4-14 x 0.625	11.	783-0448	Hood Bracket: Reinforcement
4.	720-0238	Rod End Grip	12.	783-0449A	Hinge Bracket: Rear
5.	731-0511	Trim Strip	13.	783-0451A	Pivot Plate: Rear Hood
6.	731-1691A	Grass Bag Lens	14.	783-0545	Hood Screen
7.	783-0410	Bracket Reinforcement: Hood	15.	783-0562	Hinge Bracket: Front
8.	783-0445	Hood	16.	757-0381	Seat: Medium, Black

## Model LR927



Ref. No.	Part No.	Description
1.	618-0232	Differential Assembly: Single Speed
2.	618-0248	Drive Shaft assembly: LH Brake
3.	618-0072B	Upper Housing Assembly
4.	611-0114	Detent Shaft Assembly
5.	661-0006	Brake Yoke Assembly: LH
6.	710-1206	Hex Washer Hd. TT Screw 1/4-20 x 2.37
7.	710-1325	Hex Washer Hd. TT Screw 1/4-20 x 1.65
8.	717-0678	Brake Puck
9.	719-0313B	Lower Housing
10.	732-0863	Spring Detent
11.	737-0148	Grease
12.	741-0862	Ball Detent
13.	761-0202	Brake Disc
14.	777-6318	Label

# Model LR927

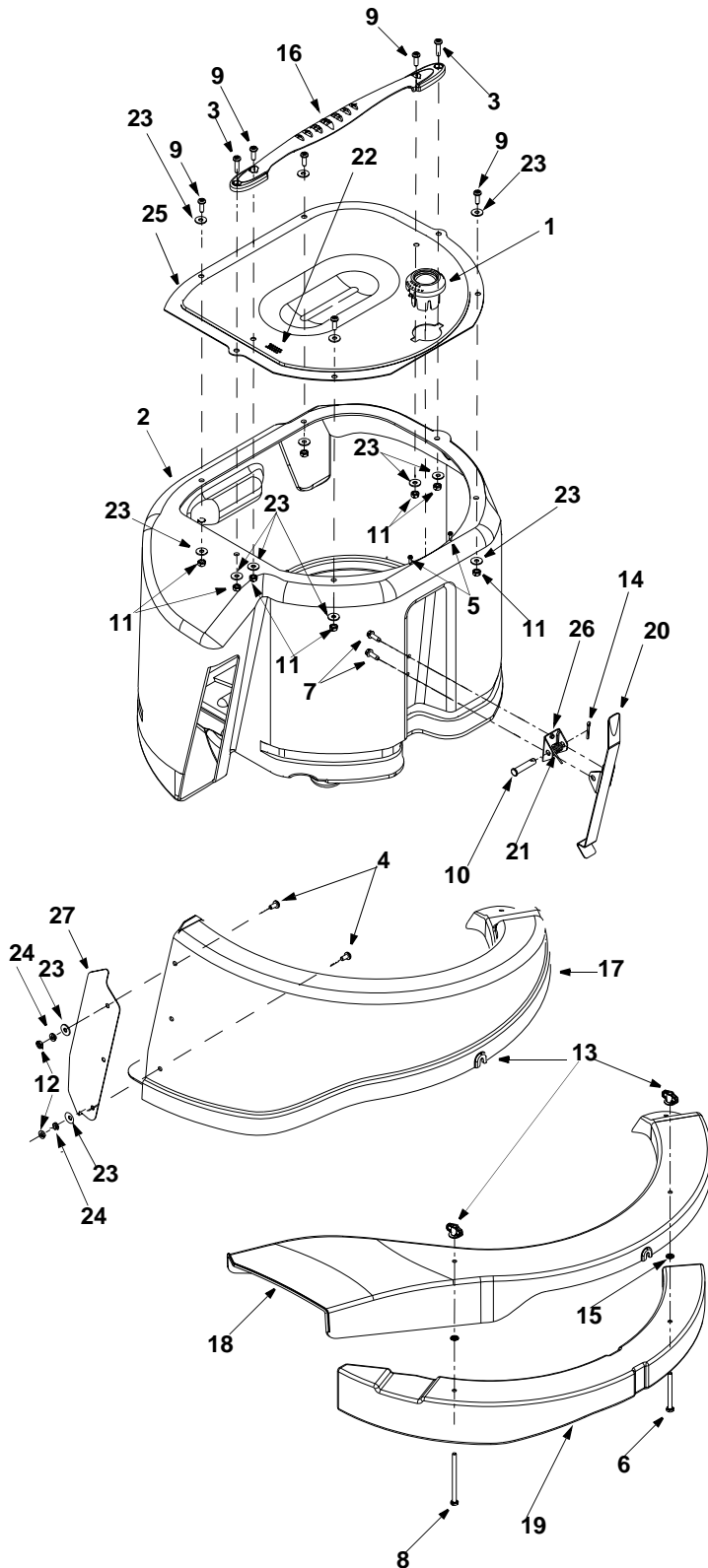


**NOTE:** For **painted parts**, please refer to the list of color codes below. Please add the applicable color code, wherever needed, to the part number to order a replacement part. For instance, if a part, numbered 700-xxxx, is painted Oyster Gray, the part number to order would be 700-xxxx-0662.

Oyster Gray: 0662  
 Powder Black: 0637  
 Red Metallic: 0650

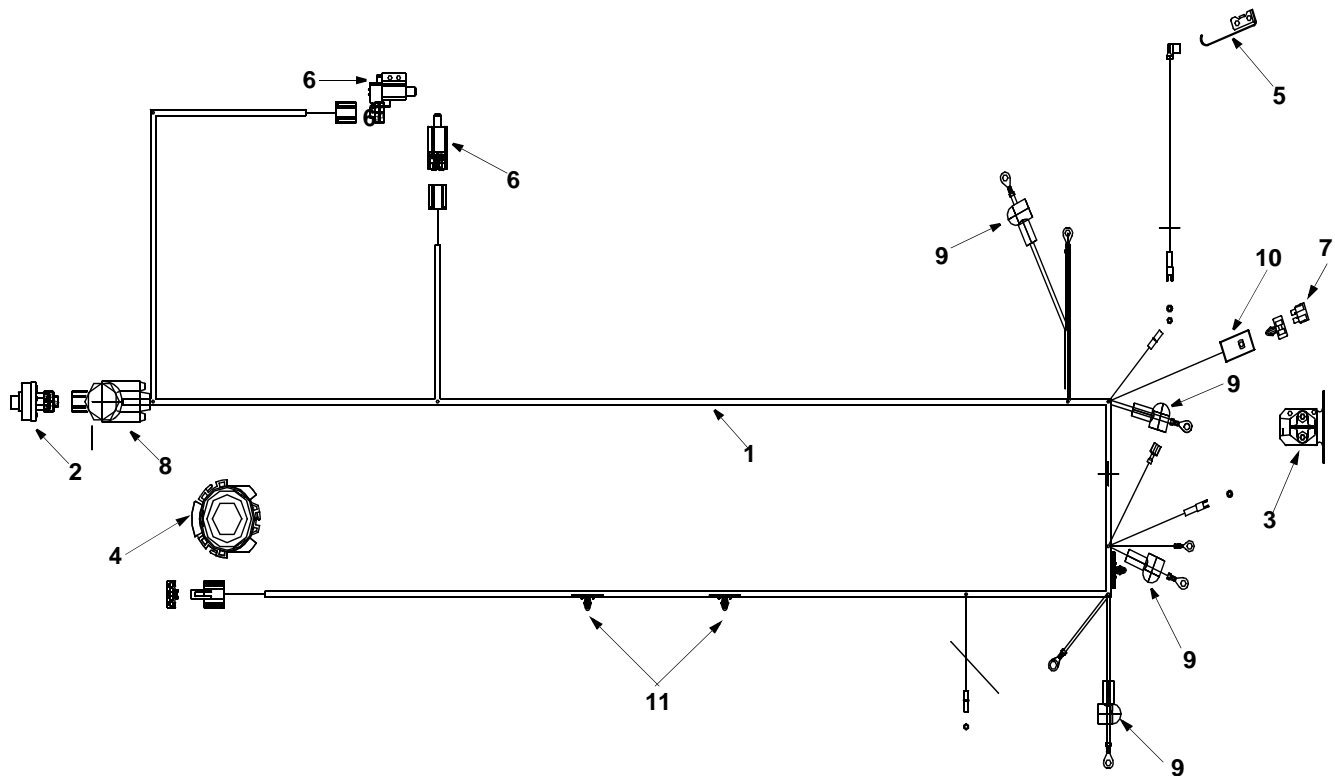
Ref. No.	Part No.	Description
1.	618-0250	Spindle Assembly
2.	683-0150D	Deck Assembly
3.	683-0159	Brake Bracket Assembly
4.	683-0173	Deck Belt Cover
5.	710-0134	Carriage Screw 1/4-20 x .62"
6.	710-0191	Hex Bolt 3/8-24 x 1.25"
7.	710-0347	Hex Screw 3/8-16 x 1.75 "
8.	710-0599	Self-Tapp. Screw 1/4-20 x .5"
9.	710-0650	Self-Tapp. Screw 5/16-18 x .75"
10.	710-0672	Hex Cap Scr. 5/16-24 x 1.25"
11.	710-0932	Carriage Screw
12.	710-1611B	Torx Screw 5/16-18 x .75"
13.	712-0241	Hex Nut 3/8-24
14.	712-0287	Hex Nut 1/4-20
15.	712-0417A	Flange Nut 5/8-18
16.	712-3017	Hex Nut 3/8-16
17.	712-3057	Hex Nut 5/16-24
18.	714-0115	Cotter Pin
19.	726-0201	Speed Nut
20.	726-0233	Push Nut
21.	732-0429A	Extension Spring
22.	736-0101	Flat Washer 3/8 x 1.00 x .030"
23.	736-0119	Lock Washer 5/16
24.	736-0169	Lock Washer 3/8
25.	736-0173	Flat Washer
26.	736-0289	Bushing
27.	736-0300	Flat Washer .406 x .875 x .059"
28.	736-0343	Flat Washer .330 x 1.25 x .120"
29.	736-3020	Flat Washer
30.	738-0968	Spacer
31.	742-0578	Blade: 27.5" Bagging
32.	742-0651	Three-in-one Blade
33.	747-0957	Link Rod
34.	747-0972	Belt Keeper
35.	747-1172	Belt Keeper
36.	754-0754	V Belt
37.	756-0627	Flat Idler Pulley
38.	783-0463A	Idler Bracket
39.	783-0529	Cable Bracket
40.	783-0569B	Deck Plate
41.	783-0594	Deck Cable Plate

# Model LR927



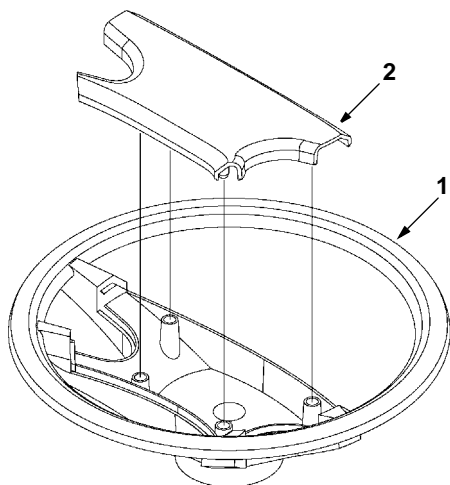
Ref. No.	Part No.	Description
1	631-0060	Flow Indicator Assembly
2	631-0080	Grass Bag Assembly
3	710-0166	Machine Screw 1/4-20 x 1.0
4	710-0286	Machine Screw 1/4-20 x 0.5"
5	710-0456	Hex Screw #10-16 x 0.5"
6	710-0564	Hex Screw 1/4-20 x 2.75"
7	710-0642	Self-Tapping Screw 1/4-20 x 0.75"
8	710-0825	Hex Screw 1/4-20 x 3.75"
9	710-0924	Machine Screw 1/4-20 x 0.75"
10	711-0415	Clevis Pin
11	712-0271	Hex Sems Nut 1/4-20
12	712-0298	Jam Nut
13	712-0397	Wing Nut
14	714-0115	Cotter Pin
15	726-0271	Speed Nut
16	731-1441	Bag Handle
17	731-1743A	Discharge Chute: Grass Bag
18	731-1744	Side-Discharge Chute
19	731-1745A	Mulching Plug
20	732-0839	Bag Release Lever
21	732-0841	Torsion Spring
22	732-0854	Clip Spring
23	736-0173	Flat Washer
24	736-0329	Lock Washer
25	783-0544A	Grass Bag Screen
26	783-0575A	Pivot Bracket
27	783-0645	Deflector Plate

## Model LR927

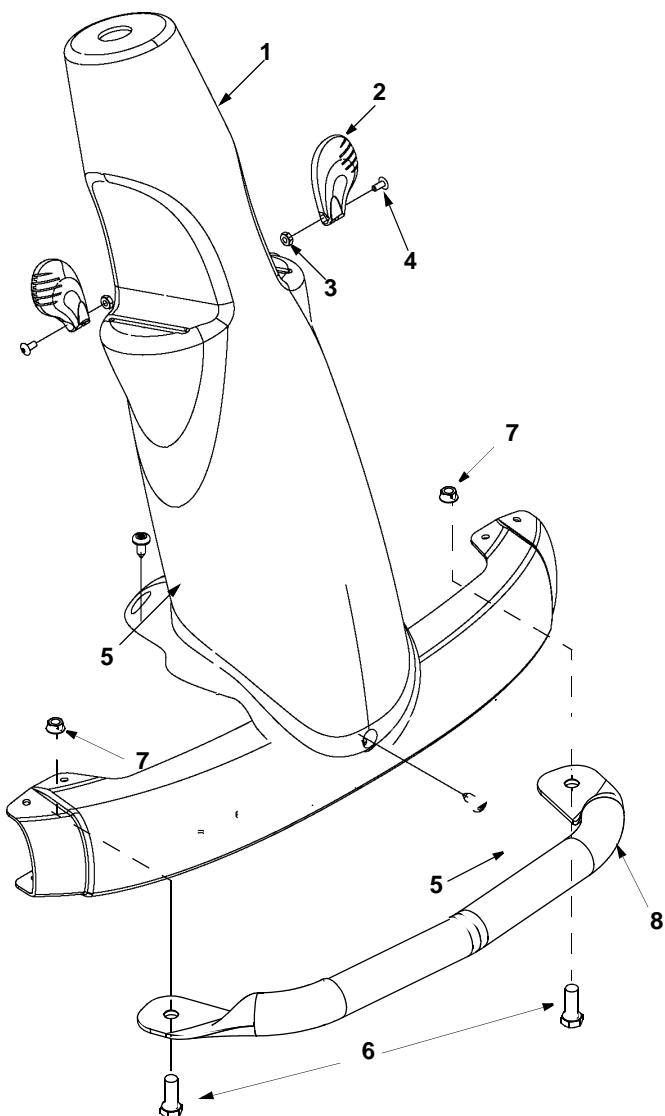


Ref. No.	Part No.	Description
1.	629-0945	Harness Assembly w/o relays
2.	725-0267	Ignition Switch: 5 Pin
3.	725-1426	Solenoid: 12 V. 100 amp.
4.	725-1462	Seat Switch
5.	725-1643	Spring Switch
6.	725-1657A	Interlock Switch
7.	725-1381	Fuse: 20 amp.
8.	725-1726	Battery Cover
9.	725-3237	Battery Cover: Red
10.	729-0357	Fuse Holder w/Clip
11.	729-0359	Harness Clip

## Model LR927



Ref. No.	Part No.	Description
1	731-2624	Steering Wheel: Soft Grip
2	731-2625	Steering Wheel Cap



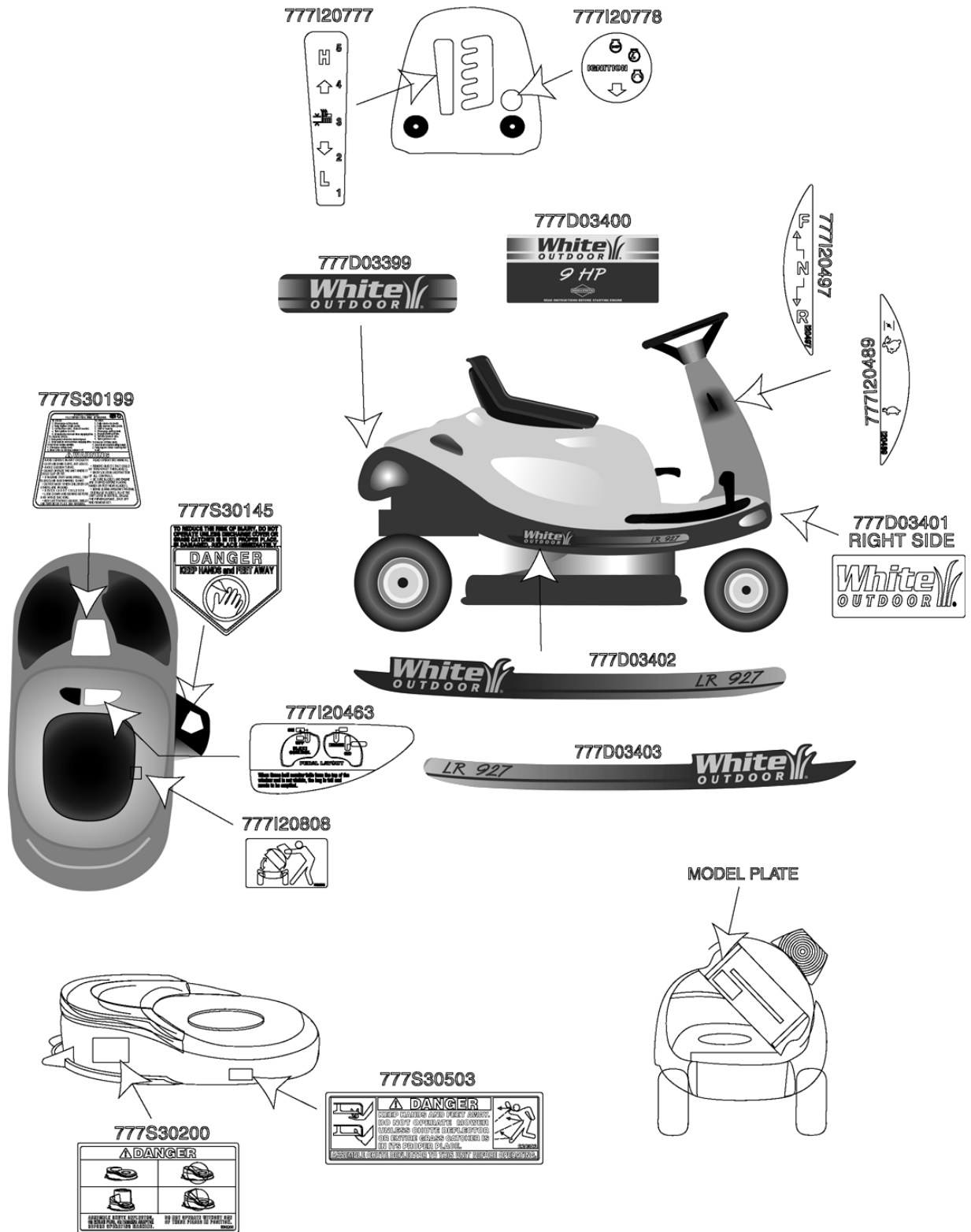
Ref. No.	Part No.	Description
1	731-1919	Steering Column: Black
2	731-1857	Control Knob
3	712-0142	Hex Nut 8-32
4	710-3217	Pan Head Machine Screw #8-32
5	710-0599	Hex Screw TT 1/4-20 x .50"
6	710-0514	Hex Screw 3/8-16 x 1.0"
7	712-0431	Lock Nut
8	749-1099	Bumper Tube: Front

**NOTE:** For **painted parts**, please refer to the list of color codes below. Please add the applicable color code, wherever needed, to the part number to order a replacement part. For instance, if a part, numbered 700-xxxx, is painted Oyster Gray, the part number to order would be 700-xxxx-0662.

Oyster Gray: 0662  
 Powder Black: 0637  
 Red Metallic: 0650

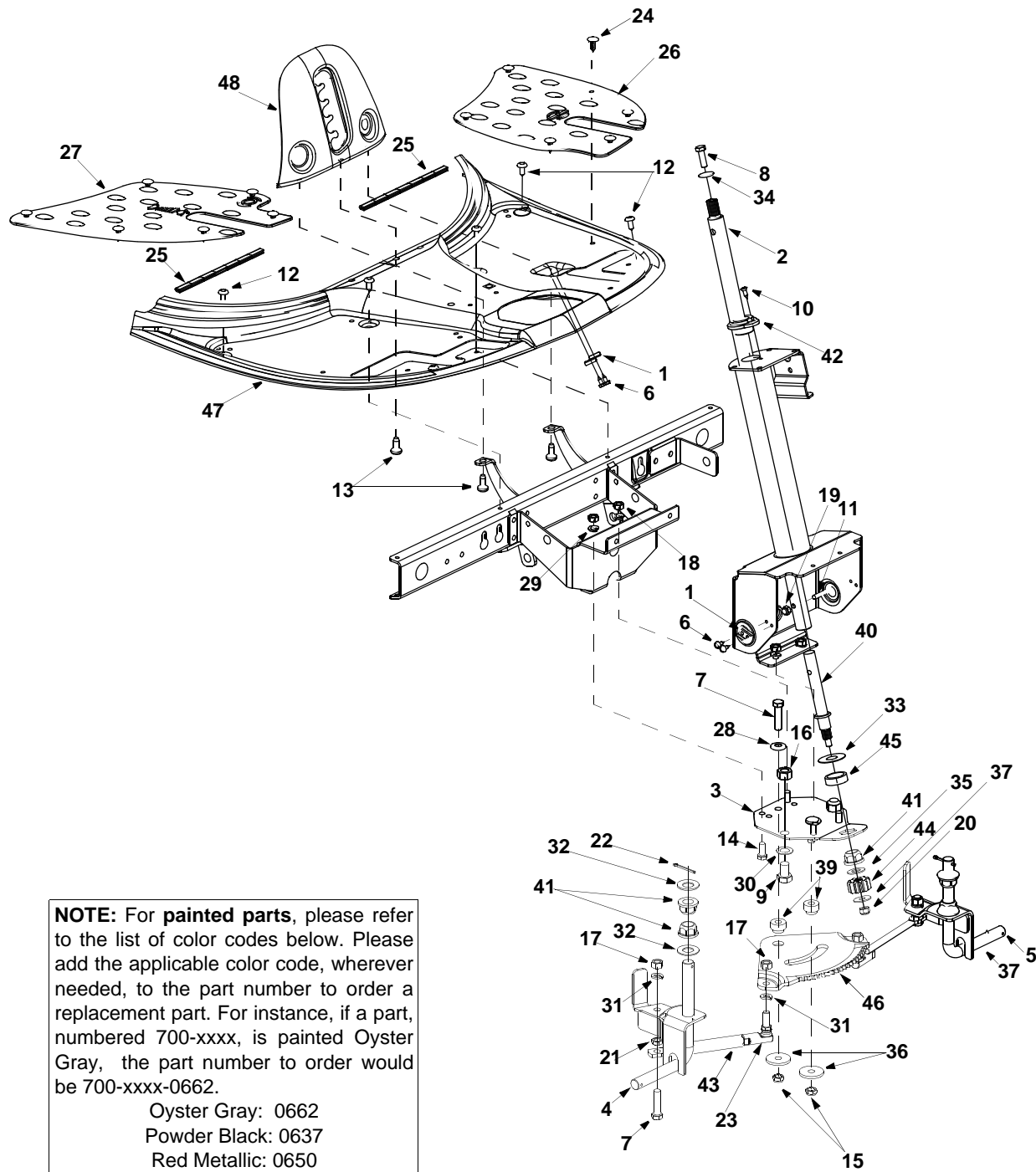
# Model LR927

## Safety & Decorative Labels





# Model LR927



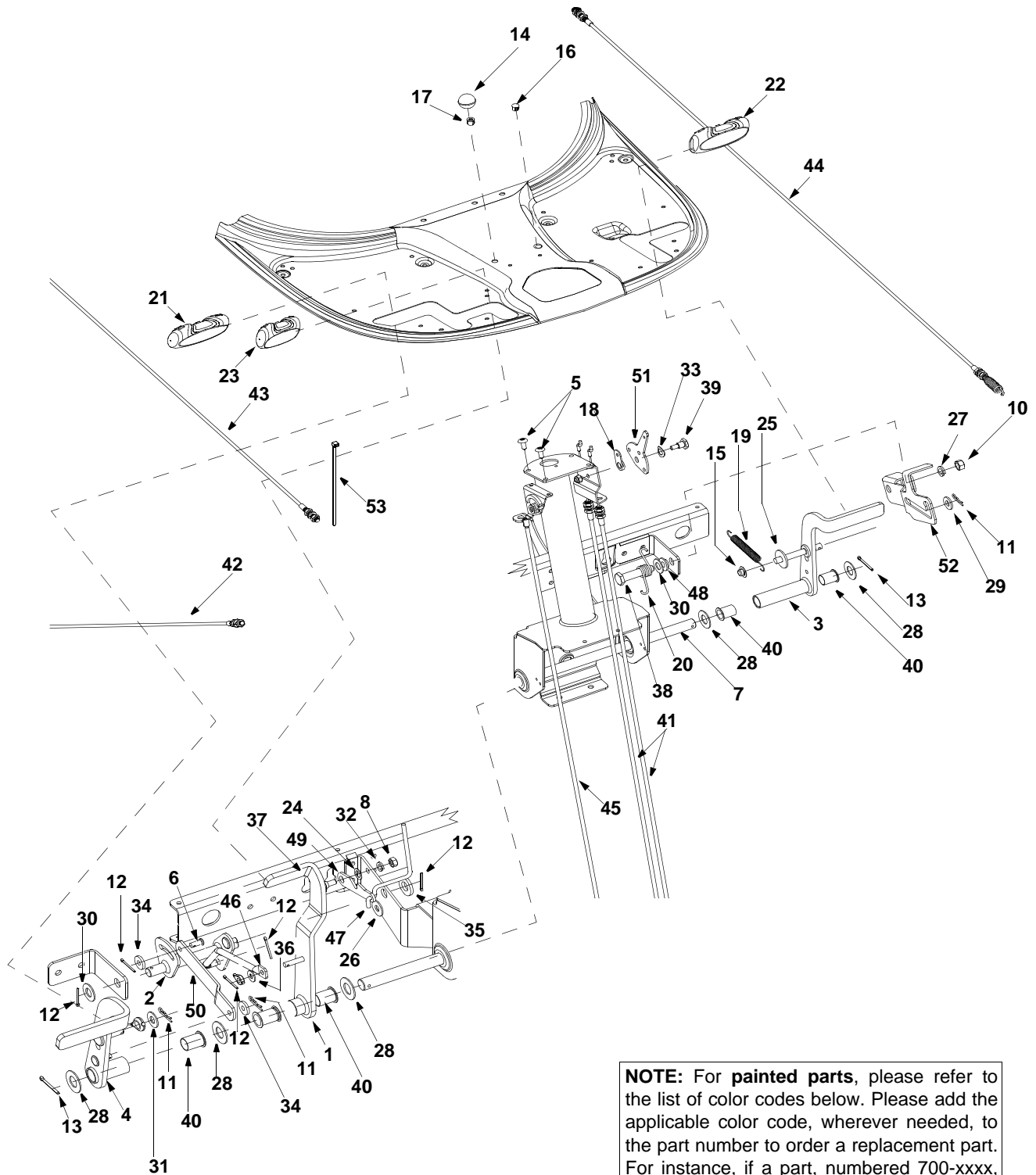
**NOTE:** For **painted parts**, please refer to the list of color codes below. Please add the applicable color code, wherever needed, to the part number to order a replacement part. For instance, if a part, numbered 700-xxxx, is painted Oyster Gray, the part number to order would be 700-xxxx-0662.

Oyster Gray: 0662  
 Powder Black: 0637  
 Red Metallic: 0650

## Model LR927

Ref. No.	Part No.	Description	Ref. No.	Part No.	Description
1.	17962	Switch Plate	25.	731-0511	Trim Strip
2.	650-0007	Steering Tube Assembly	26.	735-0674	Floor Pad: LH
3.	683-0033A	Steering Support Bracket	27.	735-0266A	Floor Pad: RH
4.	683-0178A	Front Axle Assembly: RH	28.	736-0105	Bell Washer
5.	683-0179A	Front Axle Assembly: LH	29.	736-0119	Lock Washer
6.	710-0224	Hex Screw AB	30.	736-0160	Flat Washer
7.	710-0459A	Hex Screw 3/8-24 x 1.5" Gr.5 Sp.	31.	736-0169	Lock Washer
8.	710-0643	Lock Screw 5/16-18 x 1.0" Gr.5	32.	736-0187	Flat Washer
9.	710-0689	Hex Screw 1/2-13 x 0.75"	33.	736-0196	Flat Washer
10.	710-0837	Oval C-Sunk Screw #10-16 x 0.625"	34.	736-0242	Beleville Washer
11.	710-0958	Hex Screw 1/4-20 x 1.25 Gr.5 Sp.	35.	736-0272	Flat Washer
12.	710-1017	AB Screw 1/4-14 x 0.625"	36.	736-0320	Flat Washer
13.	710-1611B	Self-Tapping Screw 5/16-18 x 0.75"	37.	736-3078	Flat Washer
14.	710-3008	Hex Screw 5/16-18 x 0.75"	38.	737-3007	Grease
15.	712-0116	Lock Nut 3/8-24	39.	738-0541	Spacer
16.	712-0206	Hex Nut 1/2-13	40.	738-3089A	Steering Adapter
17.	712-0241	Hex Nut	41.	741-0225	Hex Flange Bearing
18.	712-0267	Hex Nut	42.	741-0356	Bearing: Steering Column
19.	712-0324	Lock Nut 1/4-20	43.	747-0955	Tie Rod
20.	712-0411	Lock Nut	44.	748-0290	Pinion Gear
21.	712-0711	Jam Nut	45.	750-0532	Spacer
22.	714-0470	Cotter Pin	46.	783-0411	Gear: Steering Segment
23.	723-0156	Ball Joint	47.	783-0565C	Upper Frame Cover
24.	726-3046	Ratchet Clip	48.	783-1013	Lift Plate

# Model LR927



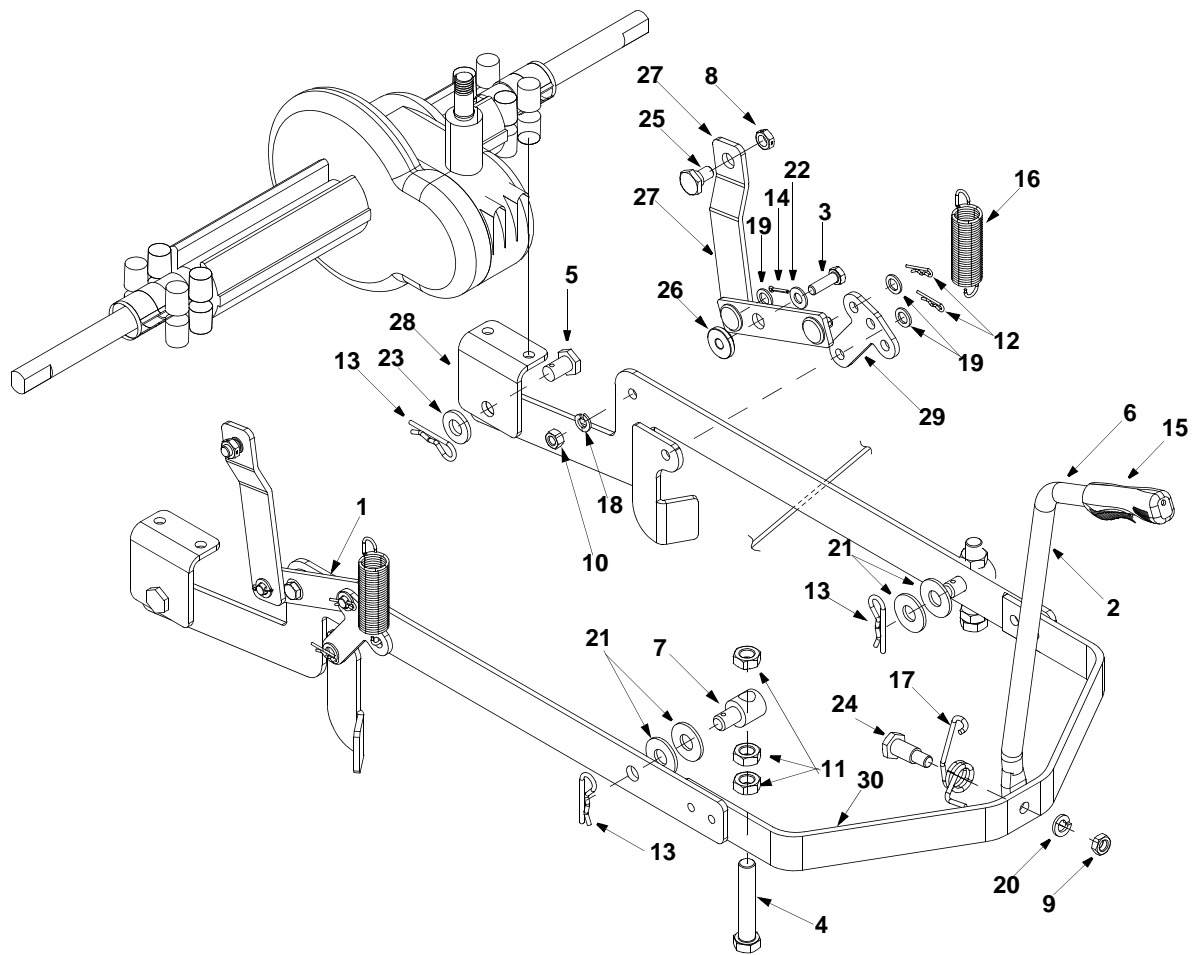
**NOTE:** For painted parts, please refer to the list of color codes below. Please add the applicable color code, wherever needed, to the part number to order a replacement part. For instance, if a part, numbered 700-xxxx, is painted Oyster Gray, the part number to order would be 700-xxxx-0662.

Oyster Gray: 0662  
 Powder Black: 0637  
 Red Metallic: 0650

## Model LR927

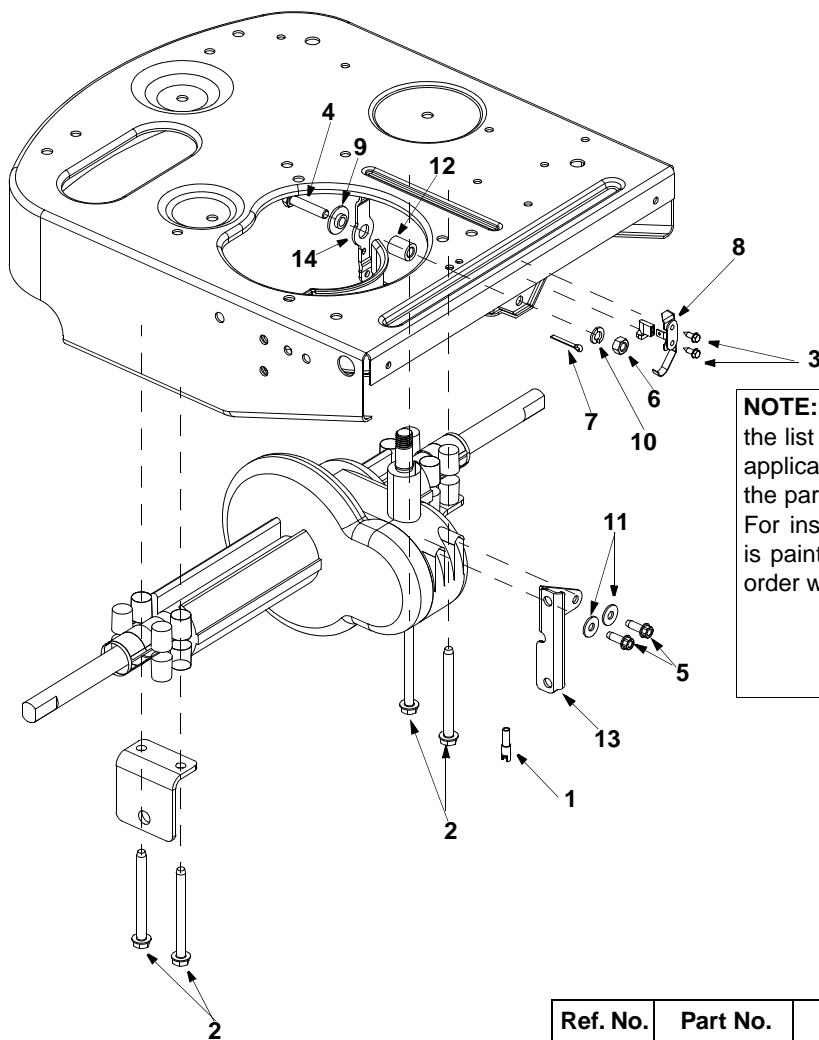
Ref. No.	Part No.	Description	Ref. No.	Part No.	Description
1.	683-0155A	Brake Pedal Assembly	28.	736-0187	Flat Washer
2.	683-0161	Shift Cam Assembly	29.	736-0262	Flat Washer
3.	683-0275A	Deck Pedal Assembly	30.	736-0272	Flat Washer .510 X 1.00 X .060
4.	683-0310A	Variable Pedal Assembly	31.	736-0300	Flat Washer
5.	710-1017	Ab Screw 1/4-14 X .625	32.	736-0329	Lock Washer
6.	711-0701	Clevis Pin	33.	736-0608	Spring Washer
7.	711-1156	Shaft	34.	736-3000	Flat Washer
8.	712-0287	Hex Nut 1/4-20	35.	736-3019	Flat Washer .531 X 1.062 X .134
9.	712-0324	Lock Nut 1/4-20	36.	736-3020	Flat Washer .271 X .630 X .065
10.	712-3017	Hex Nut 3/8-16	37.	738-0255	Shoulder Screw .375 Dia X .18
11.	714-0104	Internal Cotter Pin	38.	738-0373	Shoulder Screw
12.	714-0111	Hairpin Clip	39.	738-0974	Shoulder Screw .375 X .380 X 1/4-20
13.	714-0470	Hairpin Clip	40.	741-0591	Flange Bearing
14.	720-0166	Ball Knob	41.	746-0935A	Shift Cable
15.	726-0100	Push Cap	42.	746-0936	Variable Drive Cable
16.	726-0450	Plug Cap	43.	746-0937	Brake Cable
17.	731-0405	Snap-on Bushing	44.	746-0940	Deck Cable
18.	731-1913	Stop Lever	45.	746-0964	Throttle Choke Cable: 67"
19.	732-0815A	Extension Spring	46.	747-0963A	Brake Rod
20.	732-0865	Torsion Spring	47.	747-0964	Brake Lock Out Rod
21.	735-0261	Drive Pad	48.	750-0736	Shoulder Spacer
22.	735-0262	Deck Pad	49.	783-0473	Brake Lock Out Bracket
23.	735-0263	Brake Pad	50.	783-0525	Self-Propelled Pedal Link
24.	736-0117	Flat Washer 3/8 X .620 X .033	51.	783-0593A	Shift Lever
25.	736-0133	Flat Washer.411 x 1.25" x .100	52.	783-0794	Bracket: Lock-Out Pedal
26.	736-0159	5/16 Washer	53.	726-0157	Cable Tie
27.	736-0169	Lock Washer			

# Model LR927



Key No.	Part No.	Description	Key No.	Part No.	Description
1.	683-0152	Pivot Link Assembly	16.	732-0829	Extension Spring
2.	683-0194A	Lift Arm Assembly	17.	732-0837	Torsion Spring
3.	710-0376	Hex Screw 5/16-18 X 1.00 Gr.5	18.	736-0119	Lock Washer 5/16
4.	710-3230	Hex Bolt 1/2-13 X 2.75 Gr.5 Spec.	19.	736-0140	Flat Washer .385 I.D. x .620 O.D.
5.	711-0332	Lift Bracket Pin	20.	736-0169	Lock Washer
6.	711-04158	Lift Rod	21.	736-0257	Flat Washer
7.	711-3319	Ferrule	22.	736-0275	Flat Washer 5/16
8.	712-0266	Jam Nut	23.	736-3019	Flat Washer
9.	712-3008	Jam Nut 3/8-16 Gr. 5	24.	738-0145	Shoulder Screw
10.	712-3010	Hex Nut 5/16-18	25.	738-0183	Shoulder Screw
11.	712-3048	Jam Nut	26.	738-0958	Shoulder Spacer
12.	714-0104	Cotter Pin	27.	783-0435	Upper Deck Link
13.	714-0147	Cotter Pin	28.	783-04320	Axle Bracket: Rear
14.	714-3010	Cotter Pin	29.	783-0440	Lower Link
15.	720-0298	Handle Grip	30.	783-0442A	Crossbar Link: Lift

## Model LR927

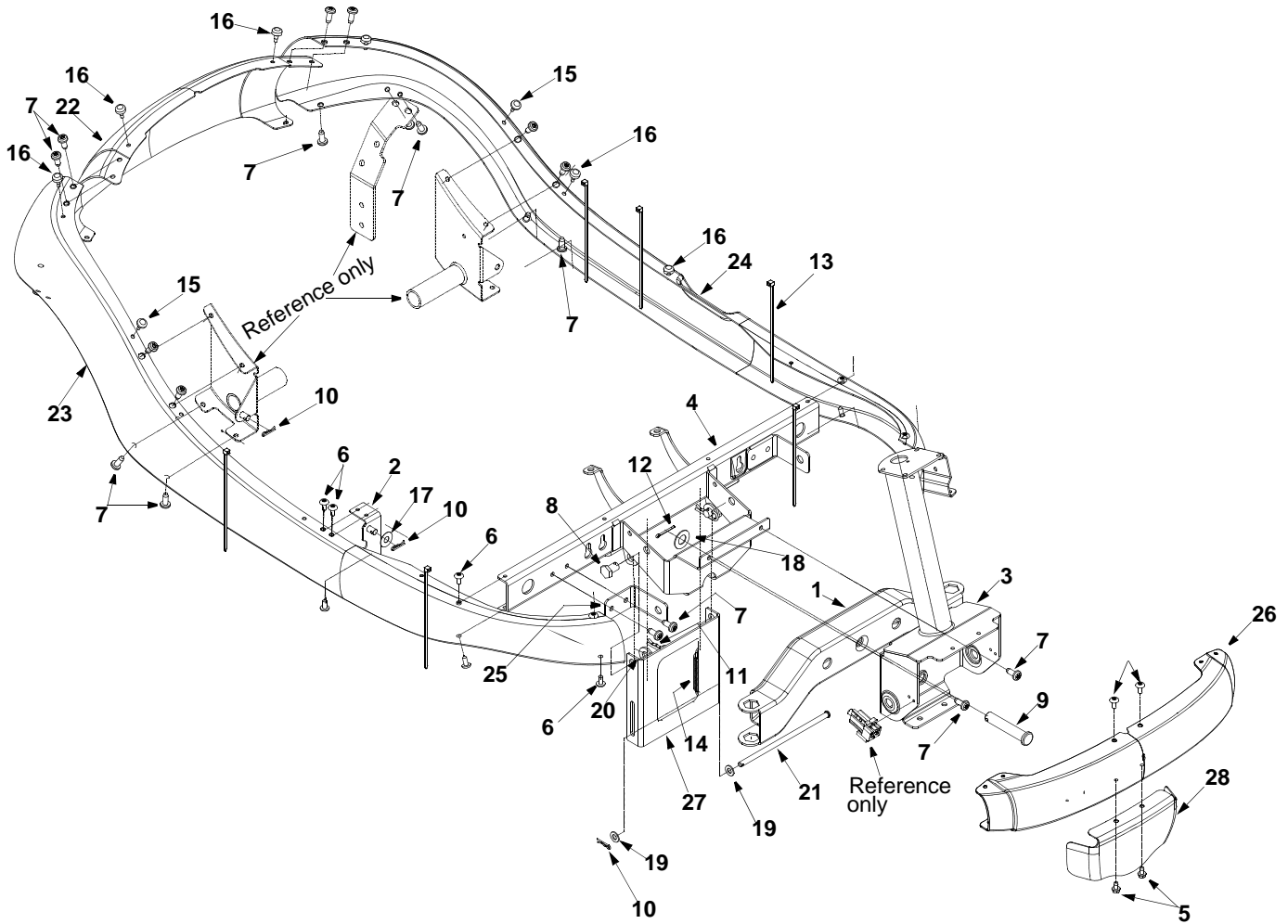


**NOTE:** For **painted parts**, please refer to the list of color codes below. Please add the applicable color code, wherever needed, to the part number to order a replacement part. For instance, if a part, numbered 700-xxxx, is painted Oyster Gray, the part number to order would be 700-xxxx-0662.

Oyster Gray: 0662  
 Powder Black: 0637  
 Red Metallic: 0650

Ref. No.	Part No.	Description
1	629-0865	Harness Assembly Adapter
2	710-1208	Hex TT Screw 5/16-18 x 3.50
3	710-0227	Hex Washer Head Self-Tap.Screw
4	710-0805	Hex Screw 5/16-18 x 1.5 Gr. 5
5	710-0642	Thd. Forming Scr. 1/4-20x .75
6	712-3010	Hex Nut 5/16-18
7	714-0115	Cotter Pin
8	726-0320	Insulator Nut Plate
9	736-0289	Shoulder Bushing
10	736-0119	Lock Washer 5/16
11	736-3000	Flat Washer
12	750-1064	Spacer
13	783-0591	Transaxle Bracket
14	783-0433A	Shift Lever

# Model LR927



**NOTE:** For **painted parts**, please refer to the list of color codes below. Please add the applicable color code, wherever needed, to the part number to order a replacement part. For instance, if a part, numbered 700-xxxx, is painted Oyster Gray, the part number to order would be 700-xxxx-0662.

Oyster Gray: 0662  
 Powder Black: 0637  
 Red Metallic: 0650

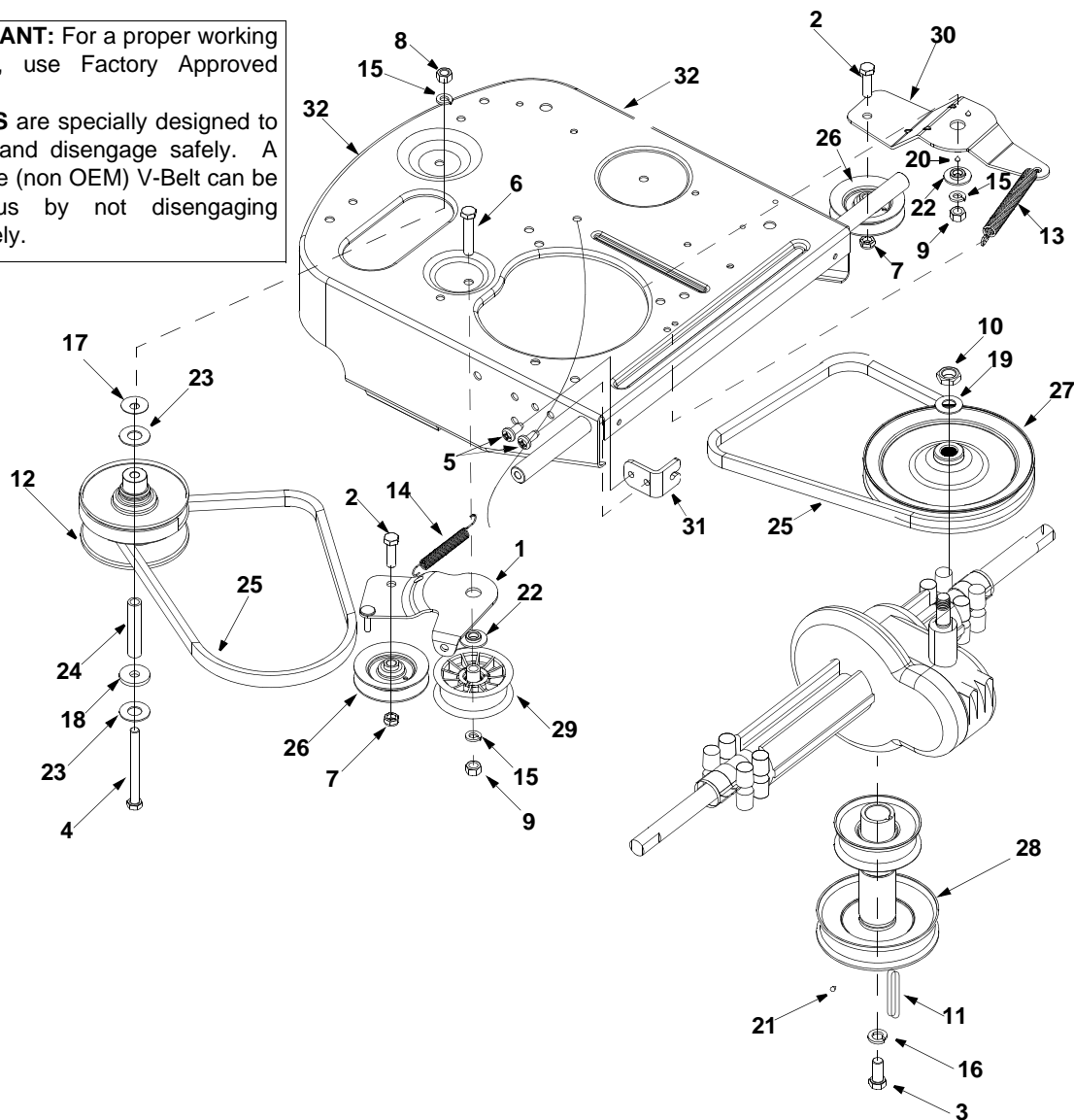
## Model LR927

Ref. No.	Part No.	Description
1.	683-0142	Pivot Bar Assembly
2.	683-0160	Bracket Assembly: Hood Pivot
3.	683-0163A	Steering Support Bracket
4.	683-0264A	Channel Assembly: Front Frame
5.	710-0599	TT screw 1/4-20 x 0.5"
6.	710-1017	AB Screw 1/4-14 x 0.625"
7.	710-1611B	TT Screw 5/16-18 x 0.75"
8.	711-0332	Clevis Pin
9.	711-1165	Clevis Pin
10.	714-0104	Cotter Pin
11.	714-0147	Hairpin Clip
12.	714-0470	Cotter Pin
13.	725-0157	Cable Tie
14.	732-0829	Extension Spring
15.	735-0199A	Rubber Bumper
16.	735-0271	Bumper
17.	736-0101	Flat Washer
18.	736-0187	Flat Washer
19.	736-0275	Flat Washer
20.	736-3019	Flat Washer
21.	747-0985	Deck Rod
22.	783-04231	Rail: Rear Frame
23.	783-04248	Rail: Frame RH
24.	783-04252	Rail: Frame LH
25.	783-0554	Cam Bracket
26.	783-0564A	Frame: Upper Front
27.	783-0605	Stabilizing Bracket: Deck
28.	783-0811A	Front Bumper



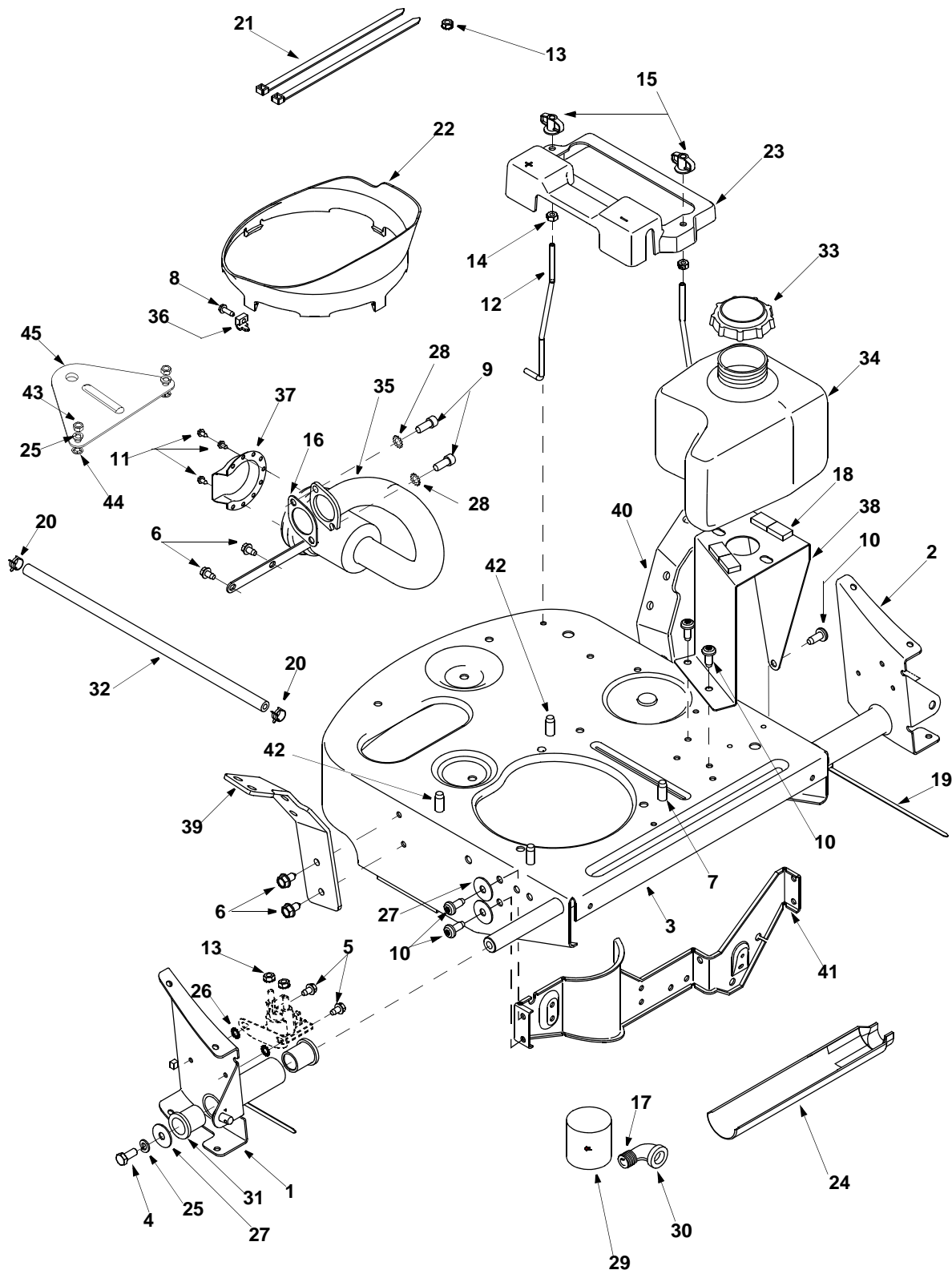
## Model LR927

**IMPORTANT:** For a proper working machine, use Factory Approved Parts.  
**V-BELTS** are specially designed to engage and disengage safely. A substitute (non OEM) V-Belt can be dangerous by not disengaging completely.



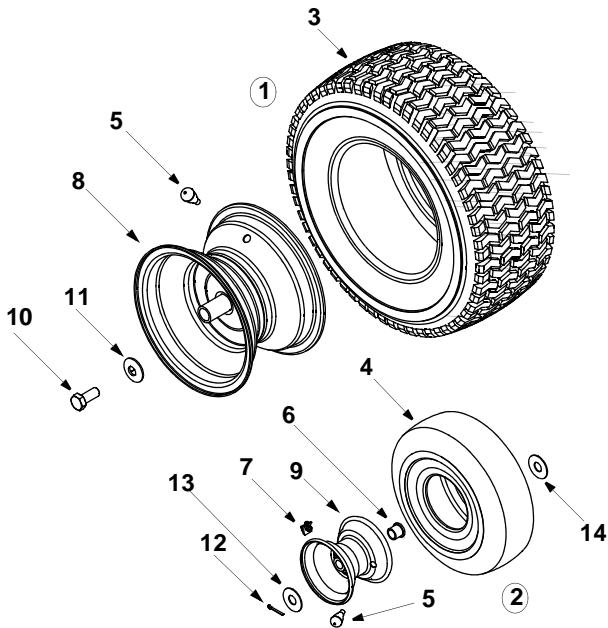
Ref. No.	Part No.	Description	Ref. No.	Part No.	Description
1	683-0147A	Idler Bracket Assembly	17	736-0219	Bell Washer
2	710-0191	Hex Screw (Special)	18	736-0247	Flat Washer
3	710-0314	Hex Screw 7/16-20 x 1.0"	19	736-0427	Beleville Washer
4	710-0902	Hex Screw 3/8-24 x 3.75"	20	737-0167	Grease
5	710-1611B	TT Screw	21	737-0288	Grease
6	710-3096	Hex Screw 3/8-16 x 2.0"	22	738-0968	Shoulder Spacer
7	712-0116	Jam Lock Nut	23	741-0405	Thrust Bearing
8	712-0241	Hex Nut 3/8-24	24	750-0705	Slv. Spacer
9	712-3017	Hex Nut 3/8-16	25	754-0453	V-Belt
10	712-3035	Jam Nut 9/16-18	26	756-0116	Idler Pulley
11	714-0114	Sq. Key	27	756-0650	Transmission Pulley
12	717-0884	Variable Speed Pulley Assembly	28	756-0658	Engine Pulley
13	732-0814	Extension Spring	29	756-0981A	Flat Idler Pulley
14	732-0815A	Extension Spring	30	783-0528	Idler Bracket: Variable Speed
15	736-0169	Lock Washer	31	783-0529	Cable Bracket
16	736-0171	Lock Washer	32	683-0149B	Frame Assembly

# Model LR927



## Model LR927

Ref No.	Part No.	Description	Ref No.	Part No.	Description
1.	683-0190B	Rail Support: Frame Assembly RH	24.	731-1682A	Oil drain Sleeve
2.	683-0191B	Rail Support: Frame Assembly LH	25.	736-0119	Lock Washer 5/16
3.	683-0401B	Frame Assembly	26.	736-0222	External Lock Washer
4.	710-0157	Hex Bolt 5/16-24 x 0.75"	27.	736-0123	Flat Washer
5.	710-0599	TT Screw 1/4-20 x 0.5"	28.	736-0607	Lock Washer 1/4
6.	710-0604A	TT Screw 5/16-18 x 0.625"	29.	737-0169	SAE 30W Oil (not serviceable)
7.	710-0654A	TT Sems Screw 3/8-16 x 1.0"	30.	737-0125	Elbow Feeting
8.	710-1237	T Screw #10-32 x 0.625"	31.	741-0516	Flange Bearing
9.	710-1314A	Soc. Hd. Screw 5/16-18 x 0.75"	32.	751-0535	Fuel Line Hose
10.	710-1611B	TT Screw 5/16-18 x 0.75"	33.	751-3071	Fuel Cap
11.	710-1502	AB Screw 8-18 x 0.375"	34.	751-3214	Fuel Tank
12.	711-04143	Battery Hold -Down Rod	35.	751-9986	Muffler
13.	712-0271	Sems Nut	36.	751B213146	Clamp Casing: Throttle
14.	712-0291	Hex Lock Nut 1/4-20	37.	751B222261	Muffler Deflector
15.	712-0397	Wing Nut	38.	783-04100	Tank Bracket
16.	721-0208	Exhaust Gasket	39.	783-04144	Support Bracket RH
17.	721-0331	Sealant: Loctite™ (not serviceable)	40.	783-04260	Support Bracket LH
18.	722-3022	Foam Tape: 0.625 x 0.25 thk.	41.	783-08098	Support Bracket: Transaxle
19.	725-0157	Cable Tie	42.	710-3008	Hex Screw 5/16-18 x 0.75"
20.	726-0205	Hose Clamp	43.	712-0267	Hex Nut 5/16-18
21.	726-0209	Cable Tie	44.	726-0201	Speed Nut
22.	731-04282	Plen	45.	783-0561	Hitch Plate
23.	731-0707A	Battery Cover	46.	725-1704	Battery (not shown)

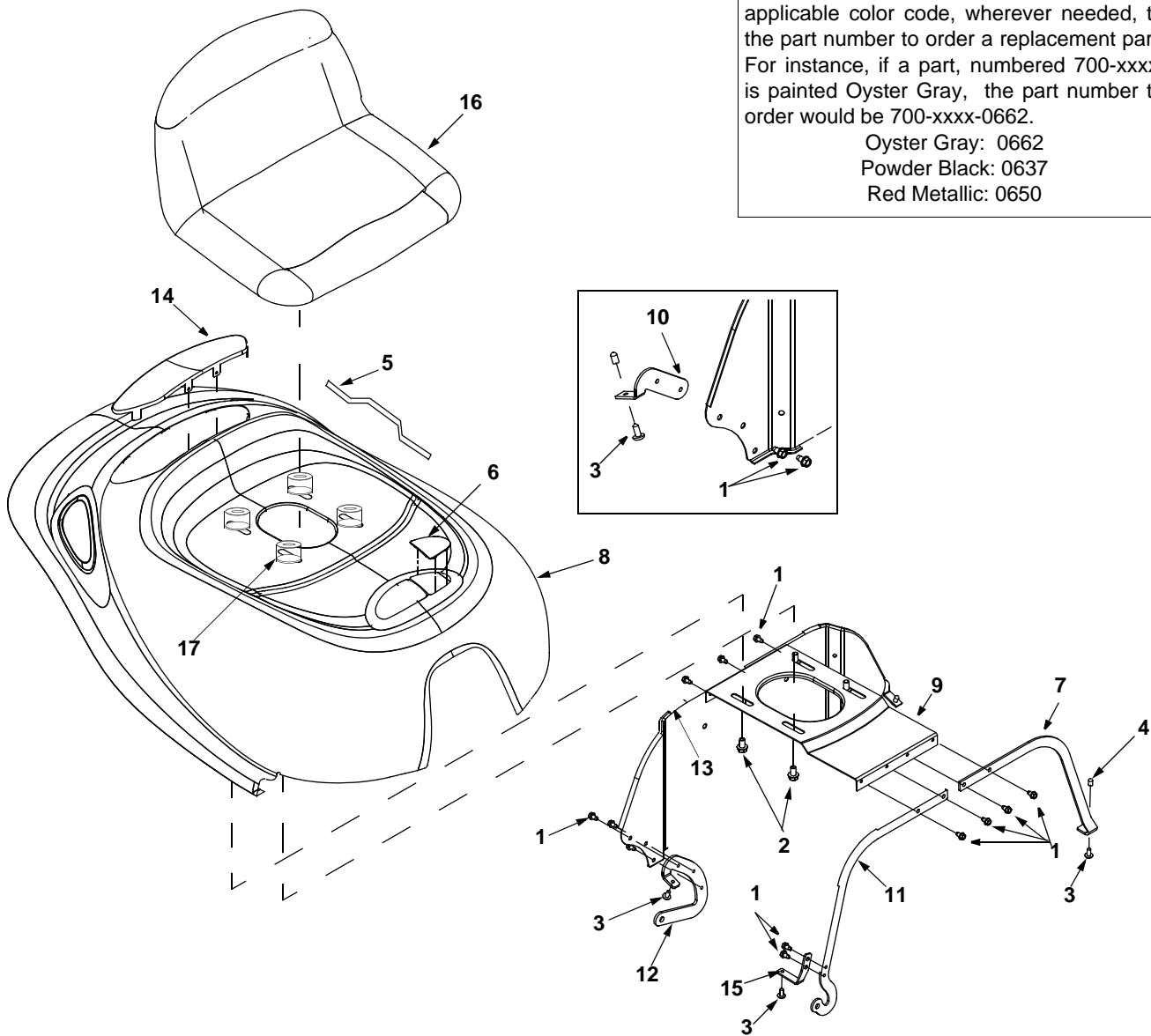


Ref. No.	Part No.	Description
1.	634-0139	Rear Wheel Compl.
2.	634-0169A	Front Wheel Compl.
3.	734-1727	Rear Tire
4.	734-1382	Front Tire
5.	734-0255	Valve: Tubeless Air
6.	737-0211A	Grease Fitting
7.	741-0353	Flange Bearing
8.	634-0138	Rim Assembly
9.	634-0170A	Rim Assembly
10.	710-0627	Hex Bolt 5/16-24 x .75"
11.	736-0242	Beleville Washer
12.	714-0115	Cotter Pin
13.	736-0285	Flat Washer
14.	736-0156	Flat Washer
15.	731-0484A	Hub Cap (not shown)

# Model LR927

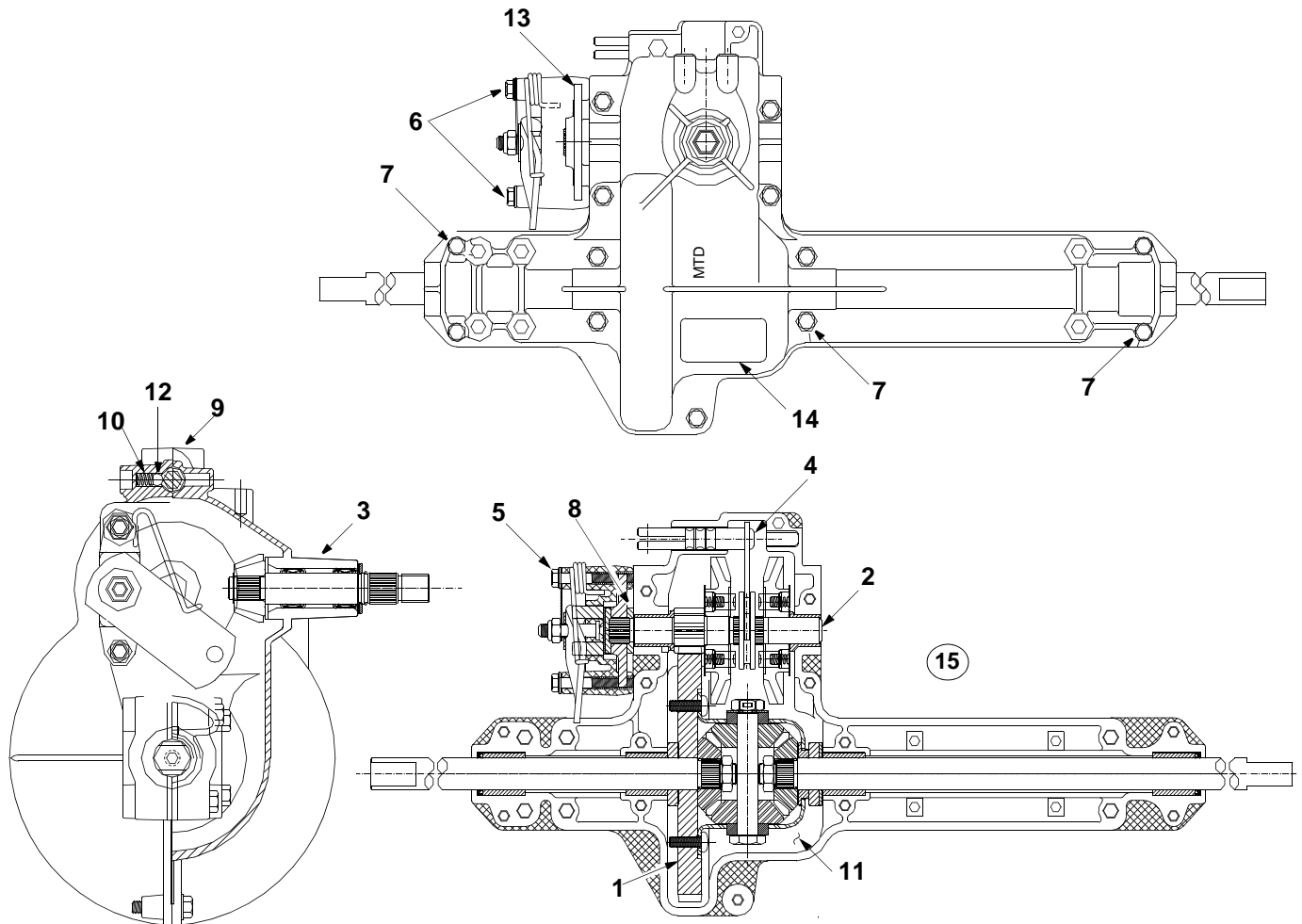
**NOTE:** For **painted parts**, please refer to the list of color codes below. Please add the applicable color code, wherever needed, to the part number to order a replacement part. For instance, if a part, numbered 700-xxxx, is painted Oyster Gray, the part number to order would be 700-xxxx-0662.

Oyster Gray: 0662  
 Powder Black: 0637  
 Red Metallic: 0650



Ref. No.	Part No.	Description	Ref. No.	Part No.	Description
1.	710-0599	TT Screw 1/4-20 x 0.5	10.	783-0447	Hood Bracket
2.	710-1315	TT Screw 3/8-16 x 1.25	11.	783-0448	Hood Bracket: Reinforcement
3.	710-1017	Torx AB Screw 1/4-14 x 0.625	12.	783-0449A	Hinge Bracket: Rear
4.	720-0238	Rod End Grip	13.	783-0451A	Pivot Plate: Rear Hood
5.	731-0511	Trim Strip	14.	783-0545	Hood Screen
6.	731-1691A	Grass Bag Lens	15.	783-0562	Hinge Bracket: Front
7.	783-0410	Bracket Reinforcement: Hood	16.	757-04016	Seat: Low Back
8.	783-0445	Hood	17.	738-04008	Spacer
9.	783-0446	Plate: Hood			

## Model LR927



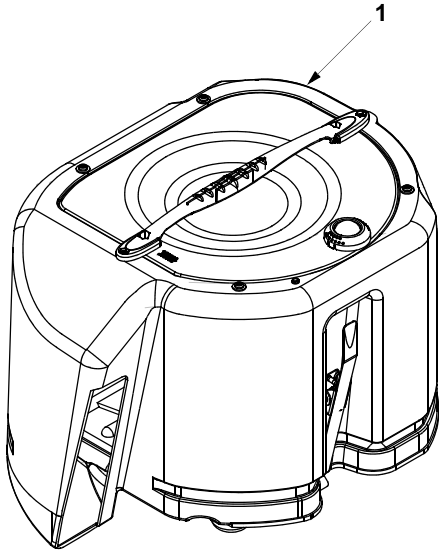
Ref. No.	Part No.	Description
1.	618-0232	Differential Assembly: Single Speed
2.	618-0248	Drive Shaft assembly: LH Brake
3.	618-0072B	Upper Housing Assembly
4.	611-0114	Detent Shaft Assembly
5.	661-0006	Brake Yoke Assembly: LH
6.	710-1206	Hex Washer Hd. TT Screw 1/4-20 x 2.37
7.	710-1325	Hex Washer Hd. TT Screw 1/4-20 x 1.65
8.	717-0678	Brake Puck
9.	719-0313B	Lower Housing
10.	732-0863	Spring Detent
11.	737-0148	Grease
12.	741-0862	Ball Detent
13.	761-0202	Brake Disc
14.	777-6318	Label
15.	618-0251C	Transmission Assembly, Complete



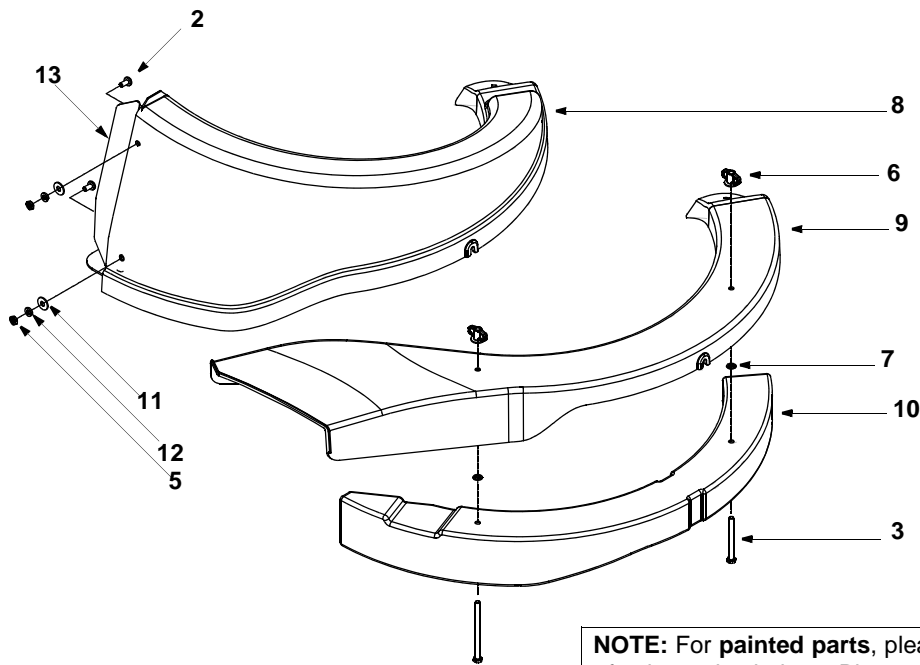
## Model LR927

Ref. No.	Part No.	Description
1.	618-0250	Spindle Assembly
2.	683-0150E	Deck Assembly
3.	683-0159	Brake Bracket Assembly
4.	683-0173	Deck Belt Cover
5.	710-0134	Carriage Screw 1/4-20 x .62"
6.	710-0191	Hex Bolt 3/8-24 x 1.25"
7.	710-0347	Hex Screw 3/8-16 x 1.75 "
8.	710-0599	Self-Tapp. Screw 1/4-20 x .5"
9.	710-0650	Self-Tapp. Screw 5/16-18 x .75"
10.	710-0672	Hex Cap Scr. 5/16-24 x 1.25"
11.	710-0932	Carriage Screw
12.	710-1611B	Torx Screw 5/16-18 x .75"
13.	712-0241	Hex Nut 3/8-24
14.	712-0287	Hex Nut 1/4-20
15.	712-0417A	Flange Nut 5/8-18
16.	712-3017	Hex Nut 3/8-16
17.	712-3057	Hex Nut 5/16-24
18.	714-0115	Cotter Pin
19.	726-0201	Speed Nut
20.	726-0233	Push Nut
21.	732-0429A	Extension Spring
22.	736-0101	Flat Washer 3/8 x 1.00 x .030"
23.	736-0119	Lock Washer 5/16
24.	736-0169	Lock Washer 3/8
25.	736-0173	Flat Washer
26.	736-0289	Bushing
27.	736-0300	Flat Washer .406 x .875 x .059"
28.	736-0343	Flat Washer .330 x 1.25 x .120"
29.	736-3020	Flat Washer
30.	738-0968	Spacer
31.	742-0578	Blade: 27.5" Bagging
32.	742-0651	Three-in-one Blade
33.	747-0957	Link Rod
34.	747-0972	Belt Keeper
35.	747-1172	Belt Keeper
36.	754-0221	V Belt
37.	756-0627	Flat Idler Pulley
38.	783-0463A	Idler Bracket
39.	783-0529	Cable Bracket
40.	783-0569B	Deck Plate
41.	783-0594	Deck Cable Plate

## Model LR927



Ref. No.	Part No.	Description
1.	631-0084	Grass Bag Assembly
2.	710-0286	Pan Hd. Machine Screw 1/4-20 x 0.5
3.	710-0564	Hex Screw 1/4-20 x 2.75
4.	710-0825	Hex Screw 1/4-20 x 3.75
5.	712-0298	Jam Nut
6.	712-0397	Wing Nut
7.	726-0271	Push Nut
8.	731-1743A	Chute: Bagger
9.	731-1744	Discharge Chute: Side-Discharge
10.	731-1745A	Mulching Plug
11.	736-0173	Flat Washer
12.	736-0329	Lock Washer
13.	783-0645A	Deflector Plate: Bagger Chute

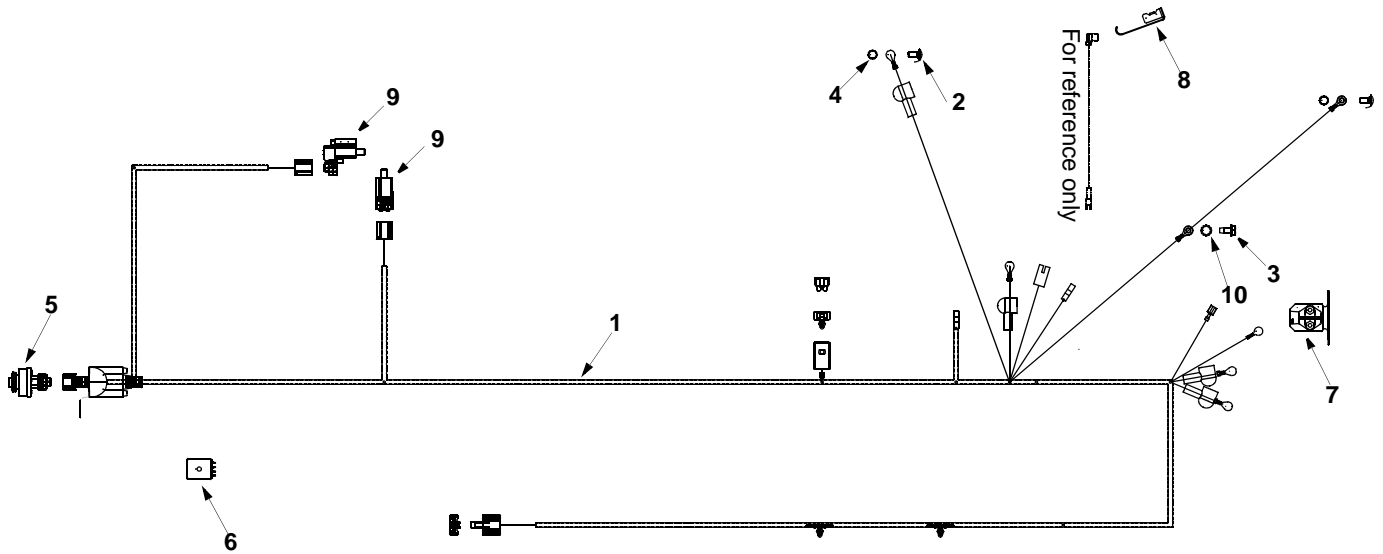


**NOTE:** For **painted parts**, please refer to the list of color codes below. Please add the applicable color code, wherever needed, to the part number to order a replacement part. For instance, if a part numbered 700-xxxx is painted Powder Black, the part number to order would be 700-xxxx-0637.

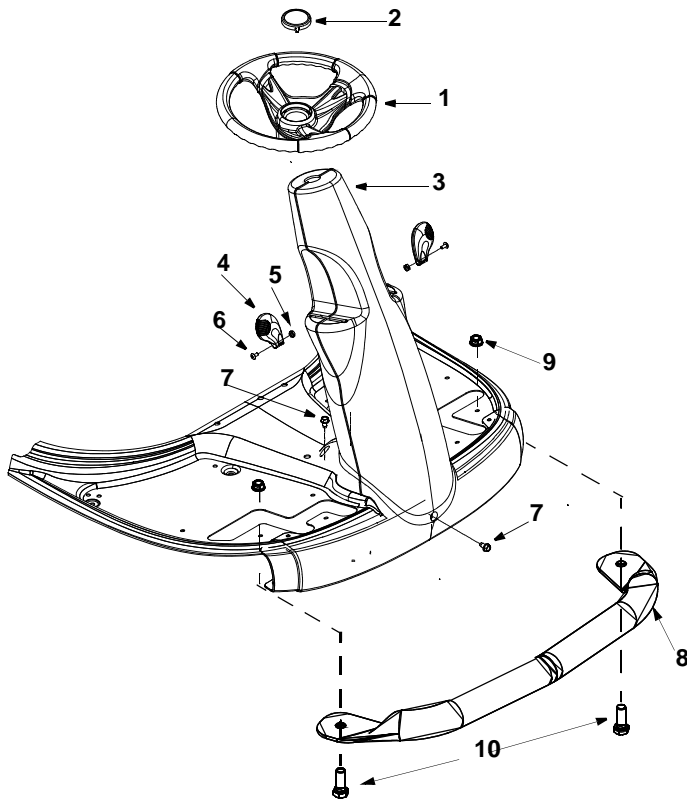
Powder Black: 0637  
 Oyster Gray: 0662  
 Metallic Red: 0650



## Model LR927



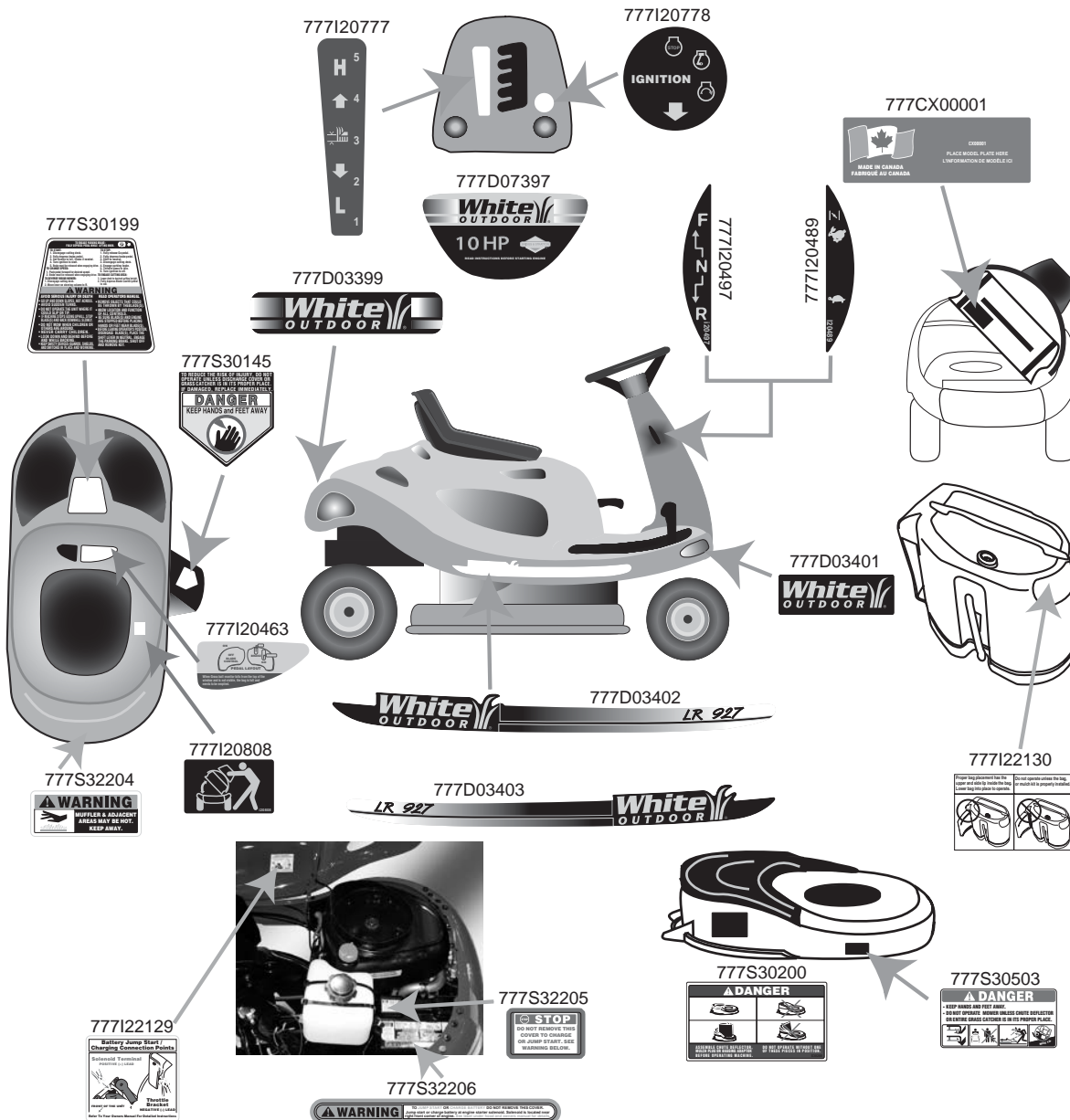
Ref. No.	Part No.	Description	Ref. No.	Part No.	Description
1.	629-04055	Harness Assembly w/o relays	7.	725-1426	Solenoid 12 volt, 100 amp.
2.	710-0134	Carriage Screw 1/4-20 x 0.62"	8.	725-1643	Spring Switch
3.	710-3021	D Screw 5/16-18 x 0.625"	9.	725-1657A	Switch: Interlock
4.	712-0271	Sems Nut 1/4-20	10.	736-0607	Lock Washer 5/16
5.	725-0267	Ignition Switch: 5 Pin	11.	725-1704	Battery (not shown)
6.	725-04040	Seat Switch			



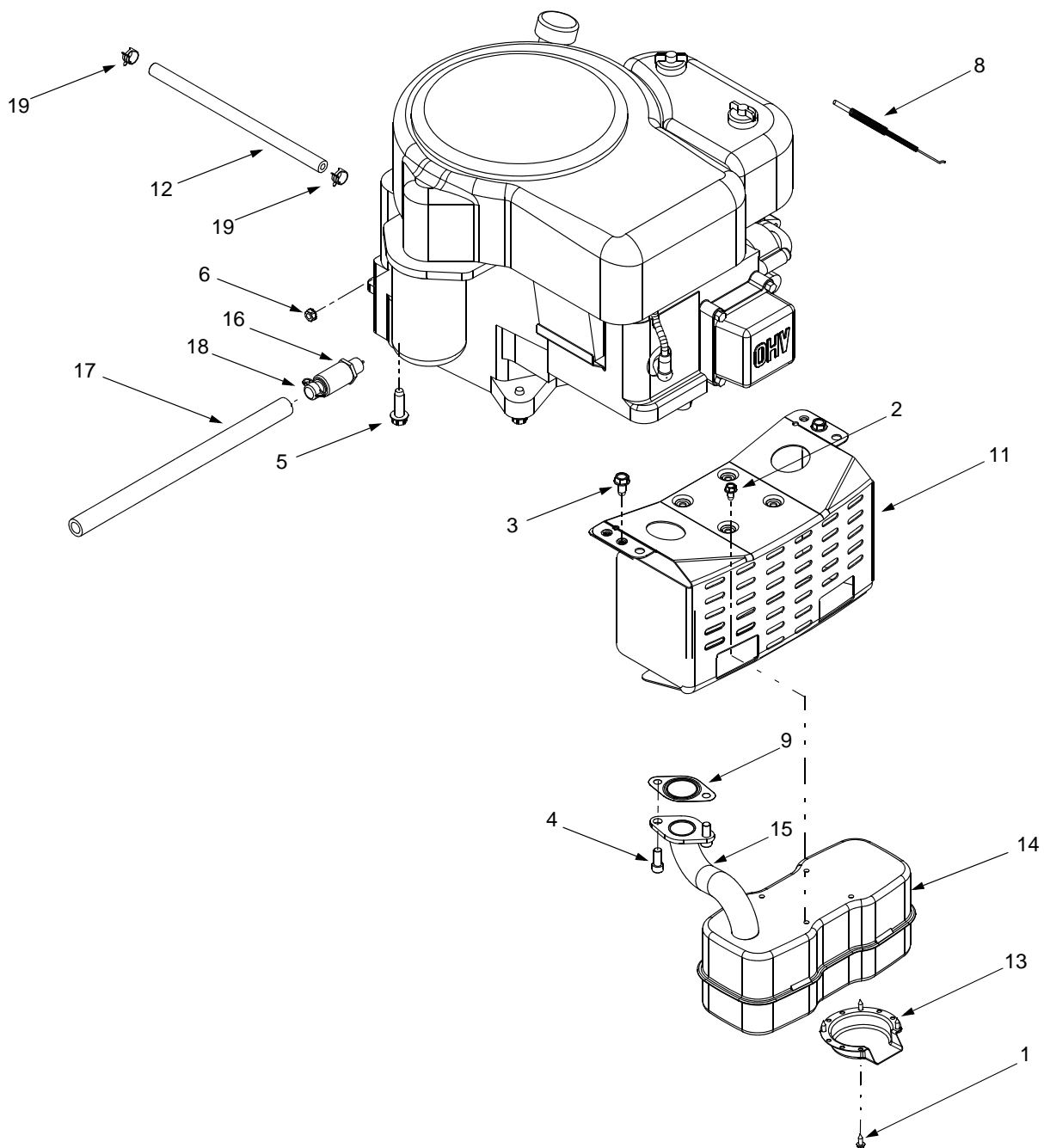
Ref. No.	Part No.	Description
1.	731-2624	Steering Wheel: 3Spoke
2.	731-2625	Steering Wheel Cap
3.	731-1919	Steering Column: Black
4.	731-1857	Control Knob
5.	712-0142	Hex Nut 8-32
6.	710-3217	Pan Head Machine Screw #8-32
7.	710-0599	Hex Screw TT 1/4-20 x .50"
8.	749-1099	Bumper Tube: Front
9.	712-0431	Lock Nut
10.	710-0514	Hex Screw 3/8-16 x 1.0"

# Model LR927

## Safety & Decorative Labels

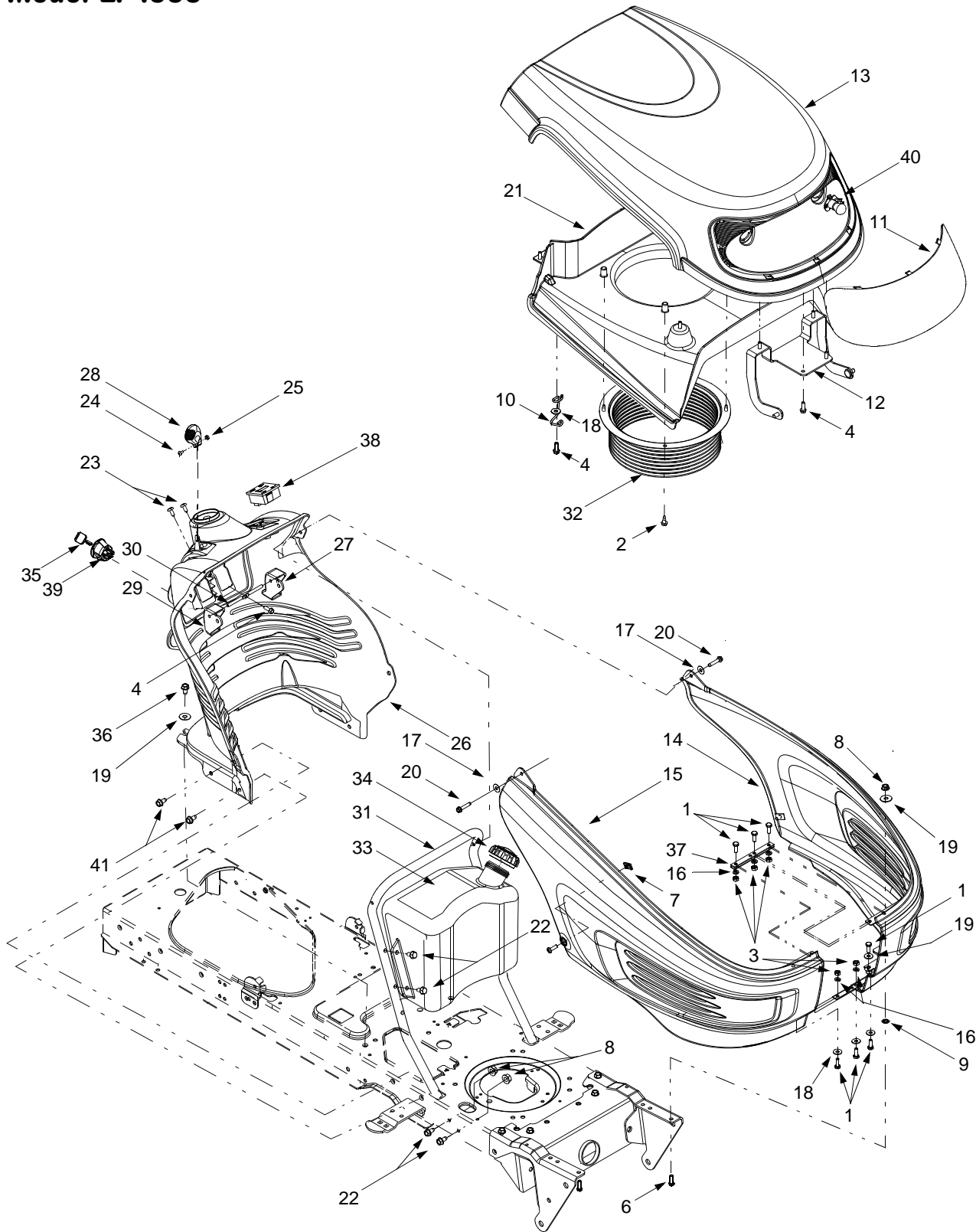


## Model LT-1500



REF. NO.	PART NO.	DESCRIPTION	REF. NO.	PART NO.	DESCRIPTION
1	710-0227	Self-tapping Screw, #8-18 x .50	11	783-0615B	Muffler Heat Shield
2	710-0599	Self-tapping Screw, 1/4-20 x .50	12	751-0535	Fuel Line Hose
3	710-0726	Self-tapping Screw, 5/16-12 x .750	13	751-0564	Muffler Deflector
4	710-1314A	Socket Cap Screw, 5/16-18 x .75	14	751-0617	Muffler, Single Inlet
5	710-1315	Self-tapping Screw, 3/8-16 x 1.25	15	751-0620	Exhaust Pipe
6	712-0271	Hex Sems Nut, 1/4-20	16	751-3140	Oil Drain Valve
7	712-3017	Hex Nut, 3/8-16	17	751-3141	Oil Drain Hose
8	746-1084	Throttle Cable	18	751-3142	Oil Drain Cap
9	721-0348	Exhaust Gasket	19	726-0205	Hose Clamp
10	736-3000	Flat Washer, .406 x .875 x .059			

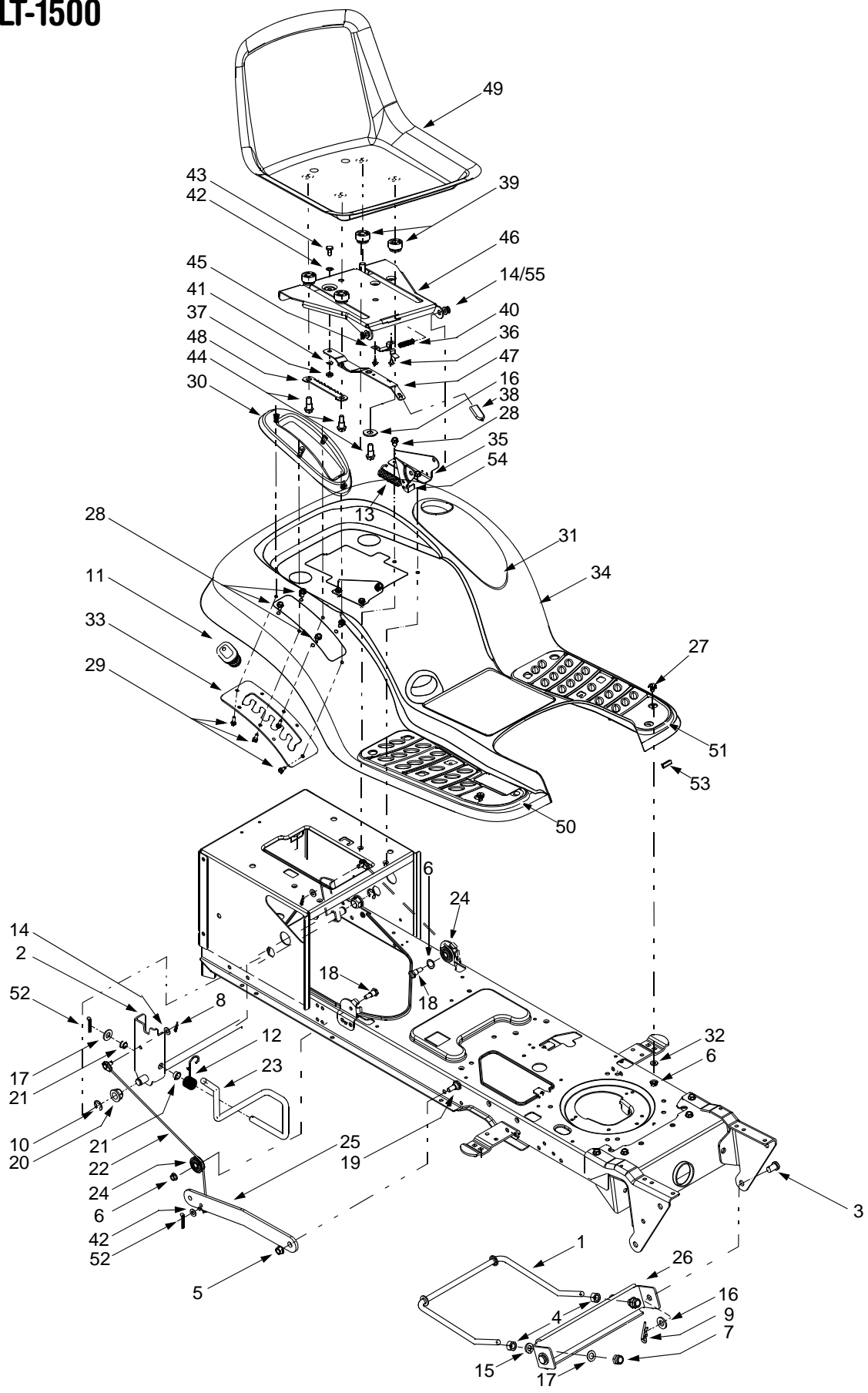
# Model LT-1500



**Model LT-1500**

<b>REF. NO.</b>	<b>PART NO.</b>	<b>DESCRIPTION</b>
1	710-3015	Hex Cap Screw, 1/4-20 x .75
2	710-0599	Self-tapping Screw, 1/4-20 x .5
3	712-3006	Hex Nut, 1/4-20
4	710-0895	Self-tapping Screw, 1/4-15 x .75
5	710-0924	Pan Phillips Screw, 1/4-20 x .75
6	710-0376	Hex Cap Screw, 5/16-18 x 1.0
7	712-0292	U-type Speed Nut, 1/4-20
8	712-3004A	Flange Lock Nut, 5/16-18
9	726-0201	Speed Nut
10	747-2127	Hood Latch Rod
11	731-2286	Head Light Lens
12	683-0305	Hood Bracket Assembly
13	731-2283A	Hood
14	731-2327A	LH Side Panel
15	731-2328A	RH Side Panel
16	736-0329	Lock Washer, 1/4
17	736-0342	Flat Washer, .283 x .75 x .030
18	736-0173	Flat Washer, .28 x .74 x .063
19	736-3078	Flat Washer, .349 x 1.0 x .063
20	710-0809	Self-tapping Screw, 1/4-20 x 1.25
21	731-2284	Hood Plenum w/o Intake Bellow
22	710-0604A	Self-tapping Screw, 5/16-18 x .625
23	710-1017	Torx Self-tapping Screw, 1/4-14 x .625
24	710-3217	Torx Screw, #8-32 x .375
25	712-0142	Hex Nut, 8-32
26	631-04035	Dash Panel, 4-style w/ Cargo Net
27	731-0072	Parking Brake Button
28	731-1857	Throttle Control Lever
29	731-2106	Cruise Control Button
30	747-1155	Brake/Cruise Pivot Rod
31	749-1087A	Dash Support Tube
32	731-2232	Intake Bellow
33	751-0659C	Fuel Tank, 2-gallon
34	751-0603	Fuel Cap
35	725-1745	Ignition Key w/ plastic cover
	725-1744	Ignition Key w/o plastic cover
36	710-0726	Self-tapping Screw, 5/16-18 x .75
37	783-1000A	Grille Support Bracket
38	725-04036	Systems Indicator Monitor, Curved Face
39	725-1741	Ignition Switch
40	625-0051	Headlight Assembly
41	710-1611B	Self-tapping Screw, 5/16-18 x .75
—	629-0469B	Headlight Wire Harness
—	629-1071	Tractor Wire Harness

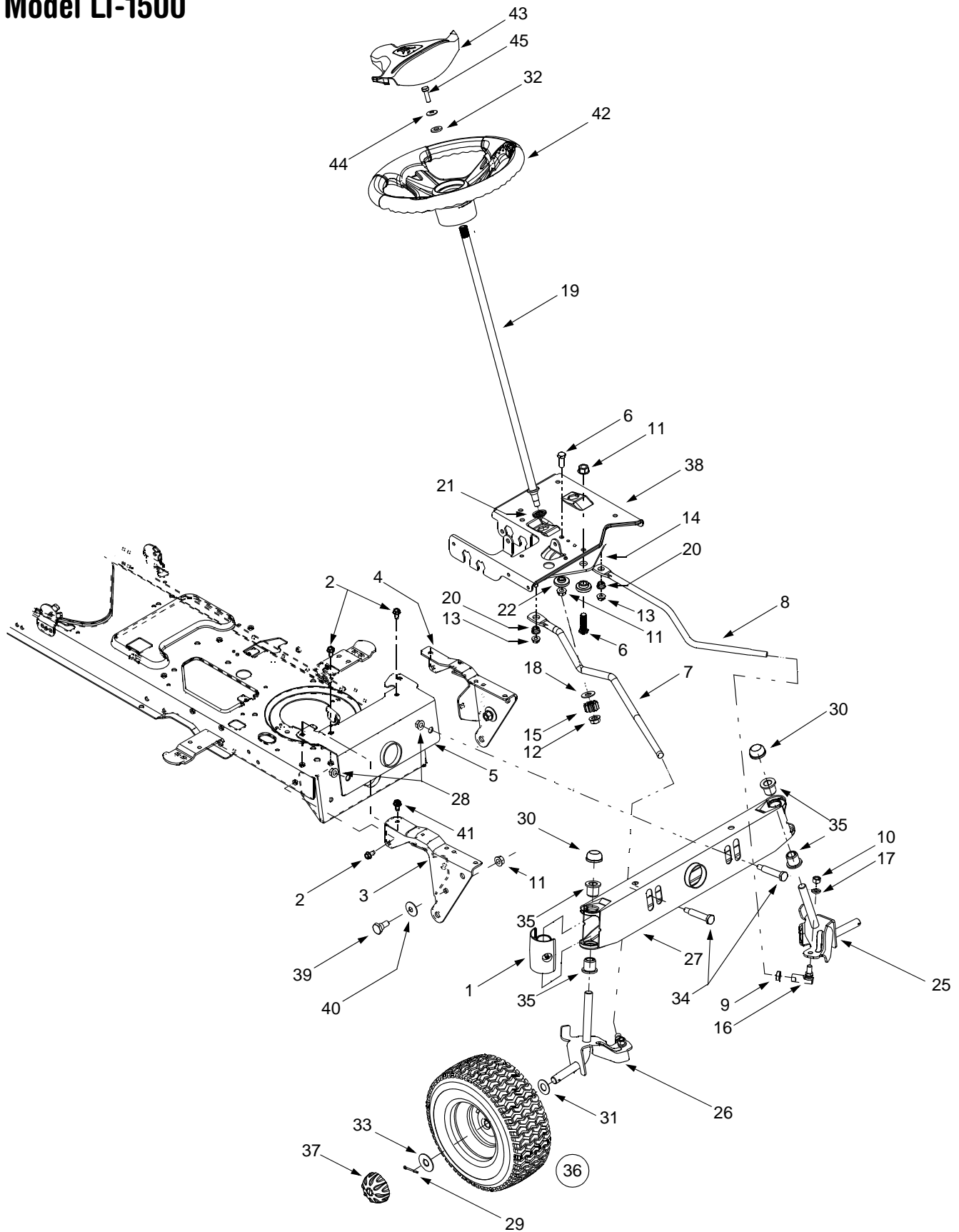
# Model LT-1500



**Model LT-1500**

REF. NO.	PART NO.	DESCRIPTION
1	747-1130B	Deck Stabilizer Rod
2	683-0197B	Lift Shaft Assembly
3	711-0332	Clevis Pin, .5 x .78
4	712-0206	Hex Nut, 1/2-13
5	712-0431	Flange Lock Nut, 3/8-16
6	712-3004A	Flange Lock Nut, 5/16-18
7	712-3083	Hex Nut, 1/2-13
8	714-0104	Internal Cotter Pin
9	714-0145	Internal Cotter Pin
10	716-0106	E-ring
11	720-0311	Handle Grip
12	732-0874	Torsion Spring
13	732-1027	Extension Spring, .872 x 3.4
14	736-0275	Flat Washer, 5/16
15	736-0921	Lock Washer, 1/2
16	736-3019	Flat Washer, .31 x 1.062 x .134
17	736-3084	Flat Washer, .51 x 1.12 x .06
18	738-0138A	Hex Cap Screw, 5/16-18 x .62
19	738-0143	Shoulder Screw, 3/8-16
20	741-0225	Hex Flange Bearing
21	741-0715	Snap Flange Bearing
22	746-0968	Lift Cable, 16.16
23	747-1111A	Lift Handle
24	756-1154	Roller Pulley
25	783-0678A	Arm Lift
26	783-0720A	Deck Stabilizer Bracket
27	710-0260A	Carriage Bolt, 5/16 x .62
28	710-0604A	Self-tapping Screw, 5/16-18 x .625
29	710-0895	Self-tapping Screw, 1/4-15 x .75
30	731-1990	Lift Lever Cover
31	731-1993	Cover w/ Cup Holder
32	736-3078	Flat Washer, .349 x 1.0 x .063
33	783-0677	Lift Adjustment Bracket
34	783-1279	Fender
35	783-1489	Seat Mounting Bracket
36	710-1268	Screw, #10-16 x .375
37	712-3027	Hex Flange Lock Nut, 1/4-20
38	720-0309A	Seat Adjuster Grip
39	731-04074	Spacer
40	732-0499	Compression Spring, .41 x 1.5
41	736-0175	Spring Washer, .265 x .562 x .025
42	736-0204	Flat Washer, .344 x .62 x .03
43	738-0137A	Shoulder Screw, .340 x .285, 1/4-20
44	738-0966	Shoulder Screw, .50 x .925, 3/8-16
45	783-0611	Seat Stop
46	783-0738	Seat Pivot Bracket
47	783-0739	Seat Adjustment Lever
48	783-0753	Seat Adjustment Selector
49	757-04014	Medium Back Seat, Black
50	735-0656	RH Foot Pad
51	735-0657	LH Foot Pad
	726-3046	Foot Pad Clips (Not Shown)
52	714-0111	Cotter Pin
53	731-0511	Trim Strip
54	783-0209	Seat Lift Bracket
55	726-0201	Speed Clip

# Model LT-1500

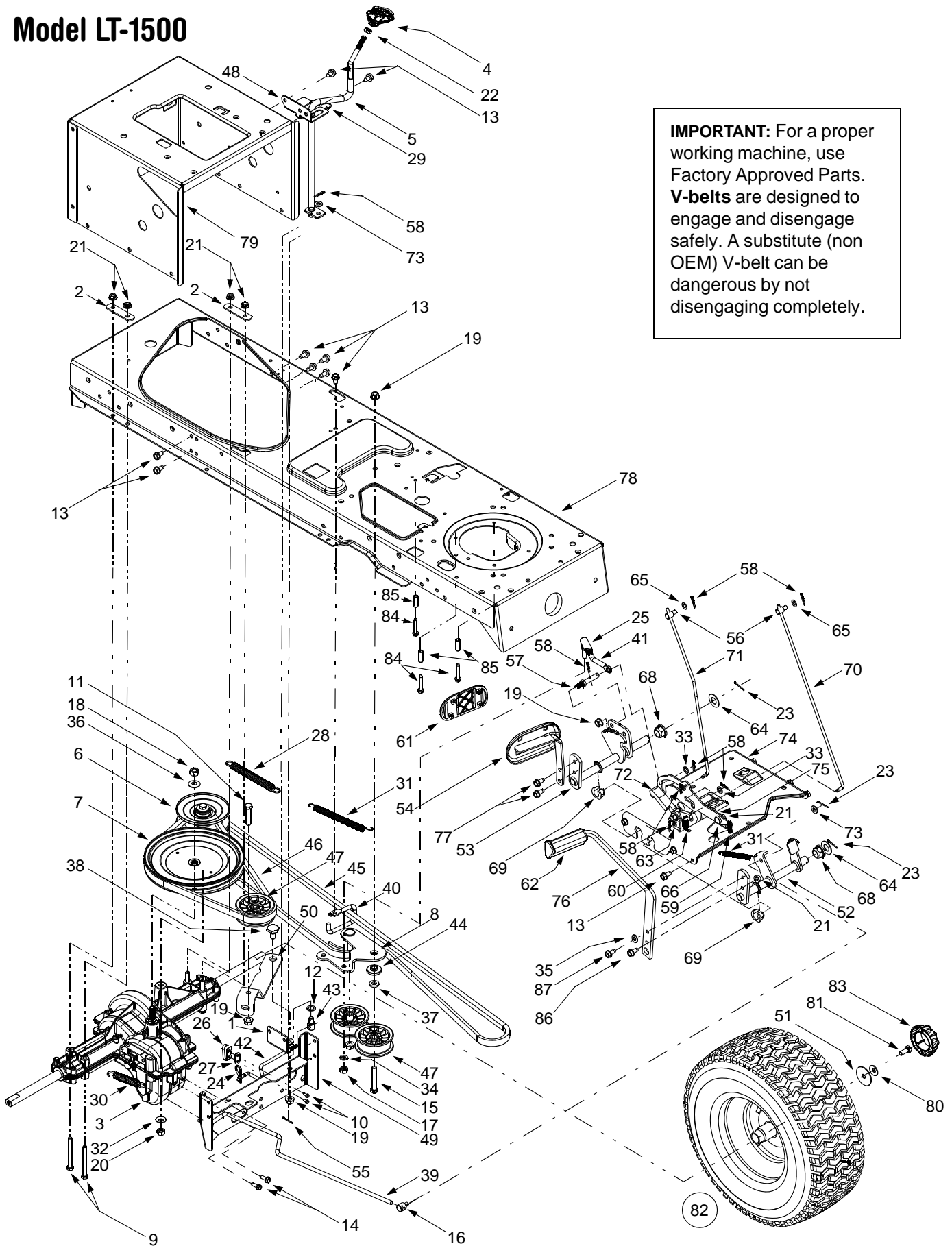




**Model LT-1500**

REF. NO.	PART NO.	DESCRIPTION
1	731-1291A	Pivot Bar End Cap w/ Fitting
2	710-0604A	Self-tapping Screw, 16-18 x .625
3	783-0726B	RH Pivot Support Bracket
4	783-0727A	LH Pivot Support Bracket
5	783-0728	Pivot Bar Bracket
6	710-0723	Hex Cap Screw, 3/8-16 x 1.25 (Grade 5)
7	711-1408	RH Drag Link
8	711-1409A	LH Drag Link
9	712-0240	Jam Nut, 7/16-20 (Grade 2)
10	712-0241	Hex Nut, 3/8-24 (Grade 2)
11	712-0431	Flange Lock Nut, 3/8-16
12	712-0459	Flange Lock Nut, 7/16-20
13	712-3004A	Flange Lock Nut, 5/16-18
14	717-1550D	Steering Gear, 11/90 Ratio
15	717-1554	Steering Pinion Gear
16	723-0448A	Ball Joint, 7/16-20
17	736-0169	Lock Washer, 3/8
18	736-3084	Flat Washer, .51 x 1.12 x .06
19	738-1001A	Steering Shaft, .625 OD x 24.4
20	741-0475	Plastic Bushing, .38 ID
21	741-0656	Hex Flange Bearing, 5/8
22	738-0372B	Shoulder Spacer, .38 ID
23	631-0027	Standard Steering Wheel, 13.25
24	731-0220	Steering Wheel Cap, Round
25	683-0019A	LH Axle Assembly, .625 Diameter
26	683-0020A	RH Axle Assembly, .625 Diameter
27	683-0128A	Steel Pivot Bar
28	712-0431	Flange Lock Nut, 3/8-16
29	714-0162	Cotter Pin
30	726-0214	Push Cap, .625
31	736-0162	Flat Washer, .64 x 1.0 x .12
32	736-3004	Flat Washer, .406 x .875 x .105
33	736-0285	Flat Washer, .635 x 1.589 x .06
34	738-1011	Shoulder Screw, .5 x 2.2, 3/8-16
35	741-0659	Flange Bearing, .632 ID x .937 OD
36	634-0115	Wheel Assembly, 15 x 6 x 6, Square Shoulder
—	634-0051	Rim Assembly Only
—	734-0255	Air Valve (Not Shown)
—	734-1731	Tire Only, Square Shoulder
—	737-0280	Grease Fitting (Not Shown)
—	741-0569	Ball Bearing (Not Shown)
37	734-2290A	Deluxe Hub Cap
38	783-0653F	Steering Support Bracket
39	738-0143	Shoulder Screw, 3/8-16
40	736-0331	Bell Washer, .39 x 1.13 x .062
41	710-1260A	Self-tapping Screw, 5/16-18 x .75
42	731-2624	Steering Wheel, Soft Grip, Three Spoke
43	731-2625	Steering Wheel Cap, Round
44	736-0242	Bell Washer, .34 x .872
45	710-0643	Hex Bolt, 5/16-18 X 1

# Model LT-1500

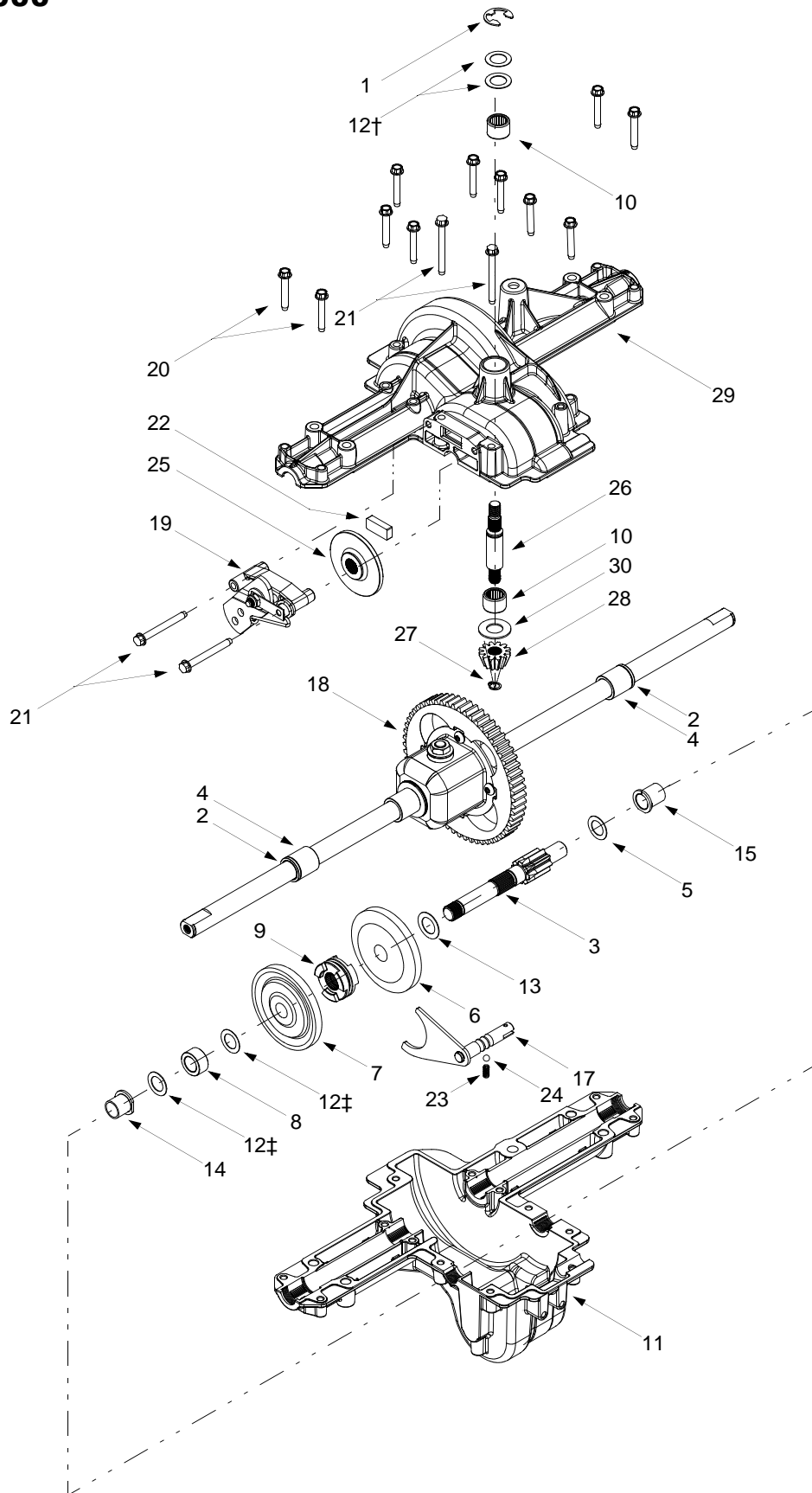


**IMPORTANT:** For a proper working machine, use Factory Approved Parts. **V-belts** are designed to engage and disengage safely. A substitute (non OEM) V-belt can be dangerous by not disengaging completely.

## Model LT-1500

REF. NO.	PART NO.	DESCRIPTION	REF. NO.	PART NO.	DESCRIPTION
1	783-1015	Shift Lever Support	46	754-0468	Upper Drive Belt
2	17840	Transaxle Mounting Bracket	47	756-0981A	Flat Idler, 2.75 OD
3	618-0551A	Single-speed Transmission Assembly	48	783-1016B	Speed Control Rod Bracket
4	631-0009A	Shifter Knob	49	783-0667B	Transmission Torque Bracket
5	647-0045	Shift Lever	50	783-0669	Idler Bracket
6	656-0048	Variable-speed Pulley Assembly	51	736-0430	Flat Washer, .350 x 1.59 x .062
7	656-0051A	Transmission Pulley, 8.5 x .5-36	52	647-0031	Brake Control Assembly
8	683-0251	Double-idler Bracket	53	647-0032	Speed Control Assembly
9	710-0176	Hex Cap Screw, 5/16-18 x 2.75	54	683-0266	Drive Pedal Assembly
10	710-0227	Self-tapping Screw, #8-18 x .5	55	714-0470	Cotter Pin, 1/8 x 1.25
11	710-0347	Hex Cap Screw, 3/8-16 x 1.75	56	711-0736	Ferrule, 1/4-20
12	736-0272	Flat Washer, .51 x 1.0 x .060	57	711-1363	Pin, 3/8-16 x 2.43
13	710-0604A	Self-tapping Screw, 5/16-18 x .625	58	714-0104	Cotter Pin
14	710-0642	Self-tapping Screw, 1/4-20 x .75	59	732-0437	Compression Spring, .34 OD x 1.0
15	710-3011	Hex Cap Screw, 3/8-16 x 2.25	60	732-0955	Extension Spring, .50 OD x 1.41
16	711-0677	Ferrule, 5/16-18	61	735-0662	Drive Pedal Pad
17	712-0241	Hex Nut, 3/8-24	62	735-3049	Brake Pedal Pad
18	712-0378	Hex Nut, 7/16-20	63	736-0142	Flat Washer, .281 x .5 x .063
19	712-0431	Flange Lock Nut, 3/8-16	64	736-0187	Flat Washer, .64 x 1.24 x .06
20	712-3017	Hex Nut, 3/8-16	65	736-0204	Flat Washer, .344 x .062 x .03
21	712-3004A	Flange Lock Nut, 5/16-18	66	738-0155	Shoulder Screw, .437 x 1.62
22	712-3008	Jam Nut, 3/8-16	67	738-0507B	Shoulder Screw, .5 x .434
23	714-0111	Cotter Pin	68	741-0225	Hex Flange Bearing
24	714-0209	Internal Cotter Pin	69	741-3065A	Split Hex Flange Bearing
25	723-3018	Ball Joint	70	747-1137	Cruise Control Rod
26	725-1644	Short Spring Switch	71	747-1138	Brake Lock Control Rod
27	726-0320	Insulator Nut Plate	72	748-0413	Cruise Latch
28	732-0384	Extension Spring, .62 Dia. x 6.12	73	736-0275	Flat Washer, .344 x .688 x .065
29	732-0525	Compression Spring Clip	74	783-0653E	Steering Support Bracket
30	732-0716	Extension Spring, .59 OD x 4	75	783-0732	Drive Lockout Bracket
31	732-0963	Extension Spring, .50 Dia. x 6.37 (hooks to flange, 783-0650, in frame)	76	783-0773	Brake Pedal
32	736-0105	Bell Washer, .401 x .87 x .063	77	710-1260A	Self-tapping Screw, 5/16-18 x .75
33	736-0140	Flat Washer, .385 x .62 x .063	78	683-0304C	Lower Frame Assembly
34	736-0169	Lock Washer, 3/8	79	783-1031A	Hitch Plate
35	736-3008	Flat Washer, .344 x .750 x .120	80	736-0242	Bell Washer, .34 x .872
36	736-0407	Bell Washer, .45 x 1.0 x .602	81	710-0627	Hex Cap Screw, 5/16-24 x .75
37	736-3010	Flat Washer, .407 x .812 x .135	82	634-0104	Wheel Assembly Complete
38	738-0322	Shoulder Screw, .625 x .217		634-0070	Rim Assembly Only
39	747-1122	Brake Rod		734-0255	Air Valve (Not Shown)
40	747-1123A	Belt Guard		734-1730	Tire Only, 20 x 8 x 8, Square Shoulder
41	747-1127	Idler Adjustment Rod, 3/8	83	734-2290A	Deluxe Hub Cap (Ref. 51 Required)
42	747-0047A	Shift Rod	84	710-0809	Self-tapping Screw, 1/4-20 x 1.25
43	711-0736	Adjustment Ferrule, 1/4-20 x 1.0	85	750-0566A	Spacer
44	738-0372A	Shoulder Spacer, .38 ID	86	710-0650	Self-tapping Screw, 5/16-18 x .875
45	754-0467	Lower Drive Belt	87	710-1611B	Self-tapping Screw, 5/16-18 x .75

# Model LT-1500



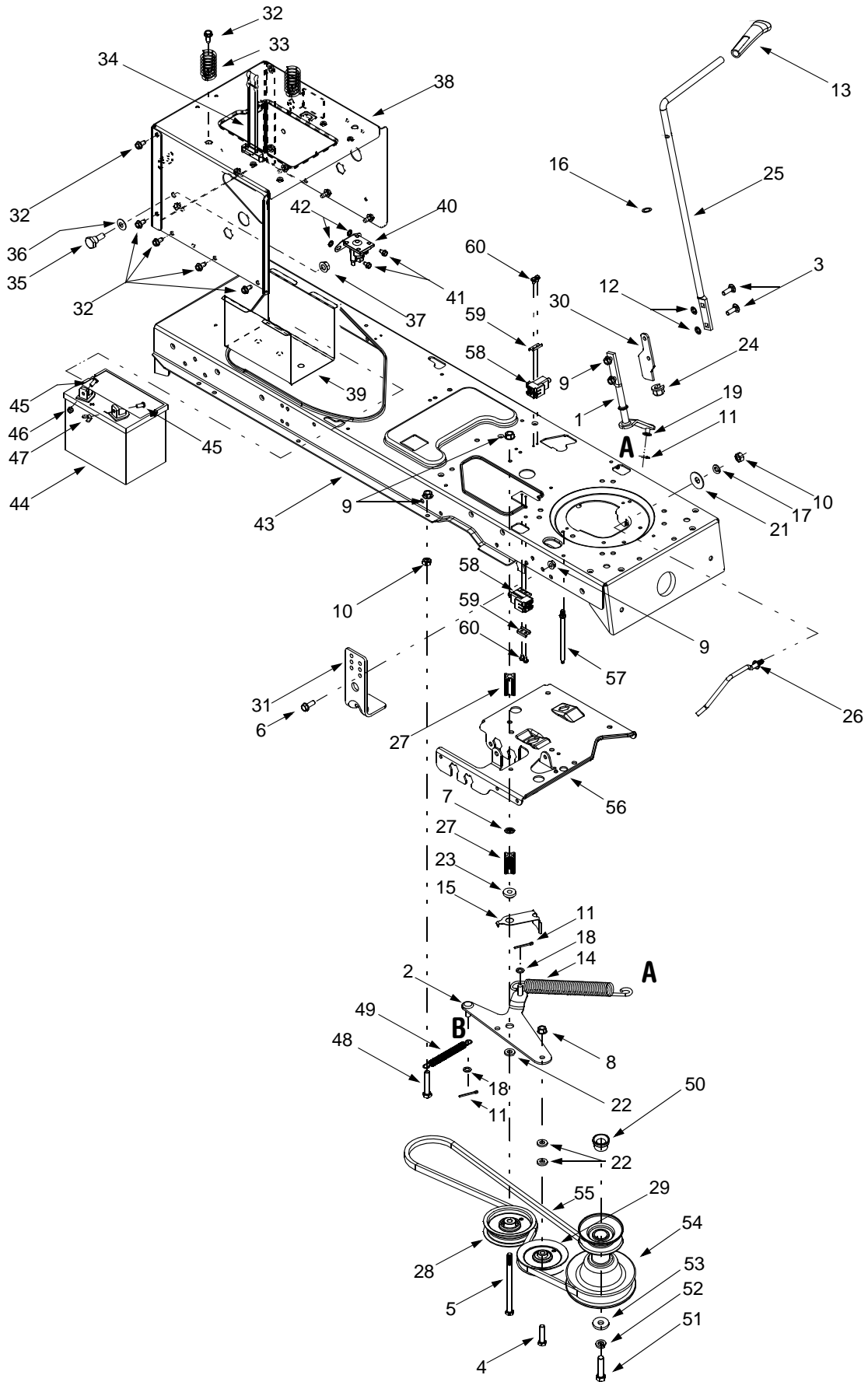
**Model LT-1500**

REF. NO.	PART NO.	DESCRIPTION
1	716-0231	E-ring, .75
2	721-0338	Seal, .75 x 1.0 x .125
3	711-1431	Drive Shaft
4	741-0340	Sleeve Bearing, .75 x .1.0 x 1.0
5	736-0495	Thrust Washer, 1.0 x .632 x .0
6	717-1362	42-tooth Bevel Gear
7	717-1363	42-tooth Bevel Gear
8	750-1234	Spacer, .633 x 1.0 x .513
9	718-0228	Clutch Collar
10	741-0525	Needle Bearing, .625 x .875
11	719-0394	Lower Housing
12	736-0336	Flat Washer, 5/8 x 1.0 x .030
	736-0337	Flat Washer, 5/8 x 1.0 x .040
	736-0349	Flat Washer, 5/8 x 1.0 x .020
13	736-0519	Flat Washer, .70 x 1.125 x .031
14	741-0336	Flange Bearing, 5/8 x 3/4 x 3/4
15	741-0337	Flange Bearing, 5/8 x 3/4 x 15/16
16	750-1238	Spacer, .635 x 1.0 x .27
17	611-0133	Detent Shaft Assembly
18	618-0424	Differential Assembly
19	661-0006	Brake Assembly
20	710-1325	Self-tapping Screw, 1/4-20 x 1.625
21	710-1206	Self-tapping Screw, 1/4-20 x 2.375
22	717-0678	Brake Pad
23	732-0863	Compression Spring
24	741-0862	Detent Ball
25	761-0202	Brake Disc
26	711-1430	Input Shaft
27	716-0108	Retaining Ring, .437
28	717-1464	14-tooth Bevel Pinion
29	719-0391A	Upper Housing
30	736-0723	Thrust Washer, .635 x 1.25 x .042

†Use applicable flat washer in this application allowing .036/.018 in. end-play.

‡Use applicable flat washer in this application allowing .010/.005 in. end-play.

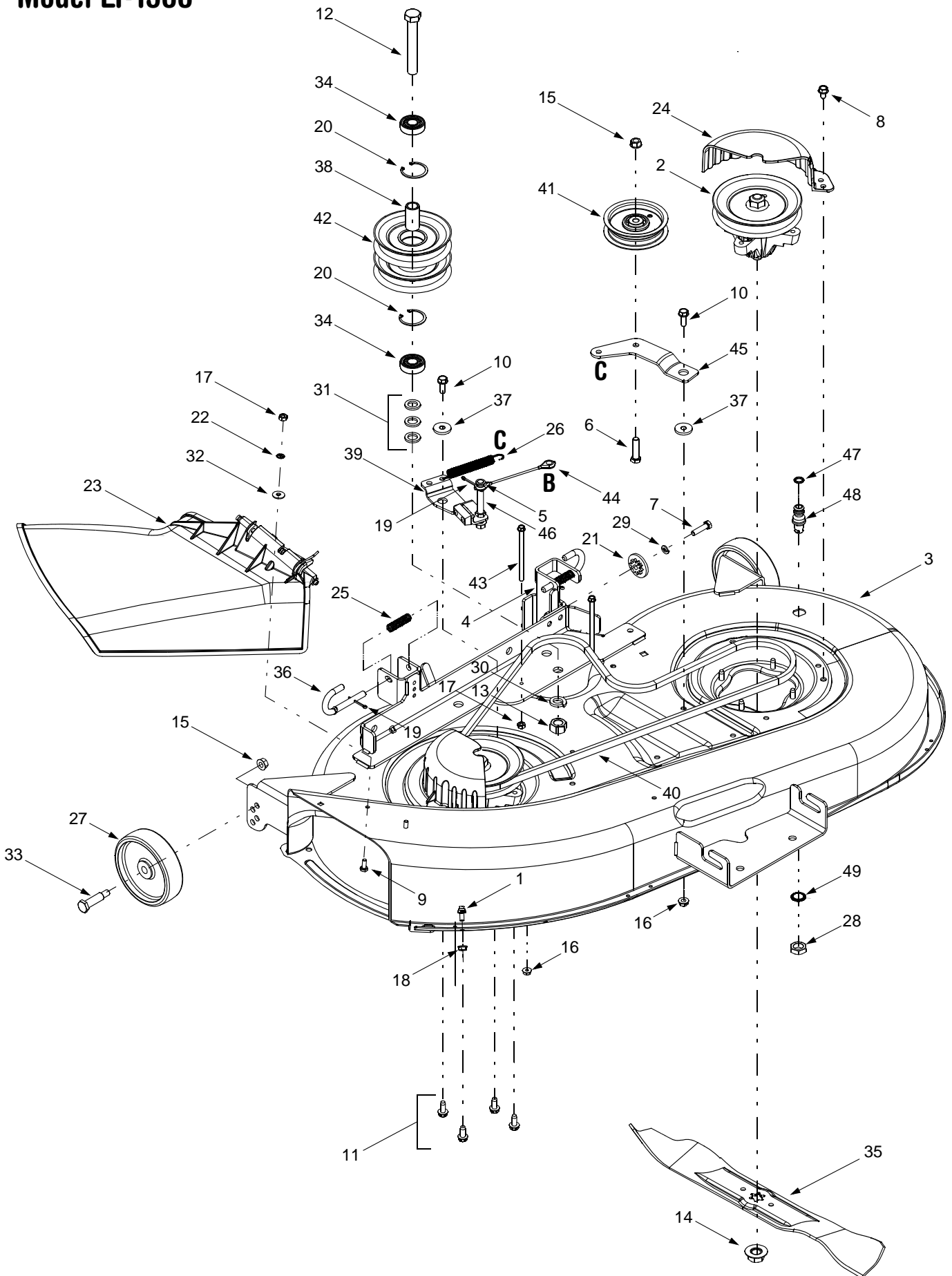
# Model LT-1500



**Model LT-1500**

REF. NO.	PART NO.	DESCRIPTION	REF. NO.	PART NO.	DESCRIPTION
1	647-0064	PTO Engage Lever Assembly	31	783-0891B	Deck Stop
2	683-0450	PTO Engage Plate Assembly	32	710-0604A	Self Tapping Screw, 5/16-18 x .625
3	710-0276	Carriage Screw, 5/16-18 x 1.00	33	732-04035	Compression Spring, 1.28 x 3.125
4	710-0520	Hex Cap Screw, 3/8-16 x 1.5	34	723-0444	Battery Strap
5	710-0831	Hex Cap Screw, 3/8-16 x 5.5	35	738-1020	Shoulder Screw, .625 x .5, 7/16-20
6	710-1238	Hex Head Washer Screw, 5/16-18 x .875	36	736-0407	Bell Washer, .45 x 1.0 x .062
7	712-0229	Push Nut, 3/8	37	712-0459	Flange Lock Nut, 7/16-20
8	712-0431	Flange Lock Nut, 3/8-16	38	783-1031A	Hitch Plate
9	712-3004A	Flange Lock Nut, 5/16-18	39	783-0349	Battery Tray
10	712-3010	Hex Nut, 5/16-18	40	725-1426	Solenoid, 12-Volt, 100 Amp
11	714-0470	Cotter Pin, 1/8 x 1.25	41	710-0599	Self Tapping Screw, 1/4-20 x .5
12	726-0201	Speed Nut, .3125	42	736-0222	Lock Washer, 1/4
13	731-2111A	PTO Knob	43	683-0304C	Lower Frame Assembly
14	732-0944	Extension Spring, .75 x 6.75	44	725-1706	12-volt Battery, 270 CCA
15	732-0991A	Belt Guard	45	710-0751	Hex Cap Screw, 1/4-20 x .62
16	736-0108	Flat Washer, .510 x .750 x .033	46	712-0271	Hex Sems Nut, 1/4-20
17	736-0119	Lock Washer, 5/16	47	712-3044	Wing Nut, 1/4-20
18	736-0140	Flat Washer, .385 x .62 x .063	48	732-1165	Extension Spring, .50 x 5.0
19	736-0275	Flat Washer, 5/16	49	710-3180	Hex Cap Screw, 5/16-18 x 1.75
20	736-3000	Flat Washer, .406 x .875 x .059	50	750-0596	Spacer Cup
21	736-0331	Bell Washer, .39 x 1.13 x .062	51	710-3029	Hex Head Cap Screw, 7/16-20 x 1.25
22	736-3010	Flat Washer, .407 x .812 x .135	52	736-0171	Lock Washer, 7/16
23	738-0372	Shoulder Spacer, .380	53	736-0322	Flat Washer, .450 x 1.25
24	741-0708	Hex Split Flange Bearing, .5	54	756-0982B	Engine Pulley, 3.56 OD x 5.56
25	747-1112D	PTO Engage Handle	55	754-0497	PTO Belt
26	747-1286A	Belt Keeper Rod	56	783-0653F	Steering Support Bracket
27	748-0415A	Spacer, 3/8 x 1.54	57	711-1044	Keeper Pin, 5/16 x 4.75
28	756-0627B	Idler Pulley, 3.5	58	725-1657A	Switch
29	756-1208	Idler Pulley, 4.0	59	17962	Switch Plate
30	783-0744A	Engagement Stop	60	710-0224	Screw, #10-16 x .5

# Model LT-1500

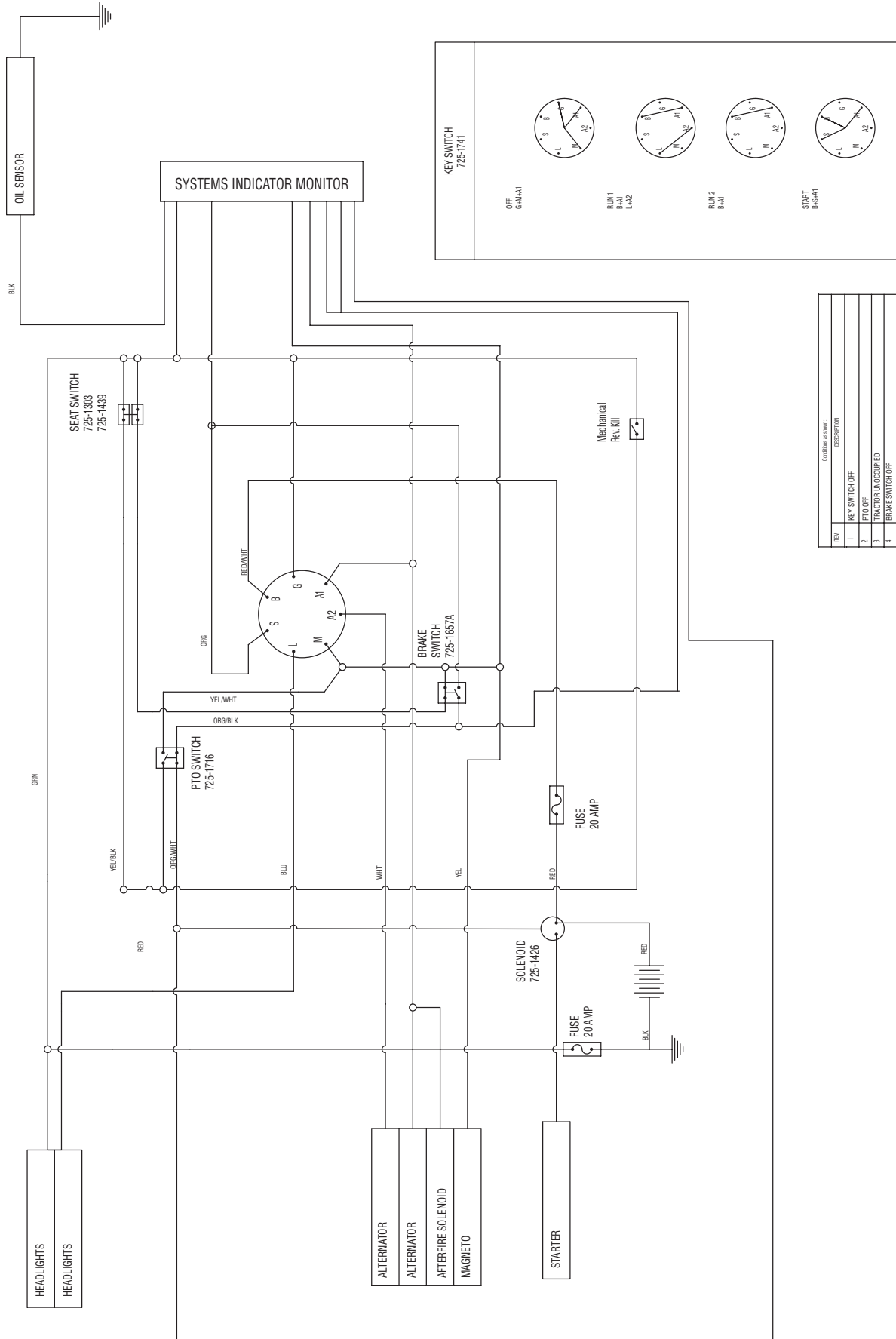




**Model LT-1500**

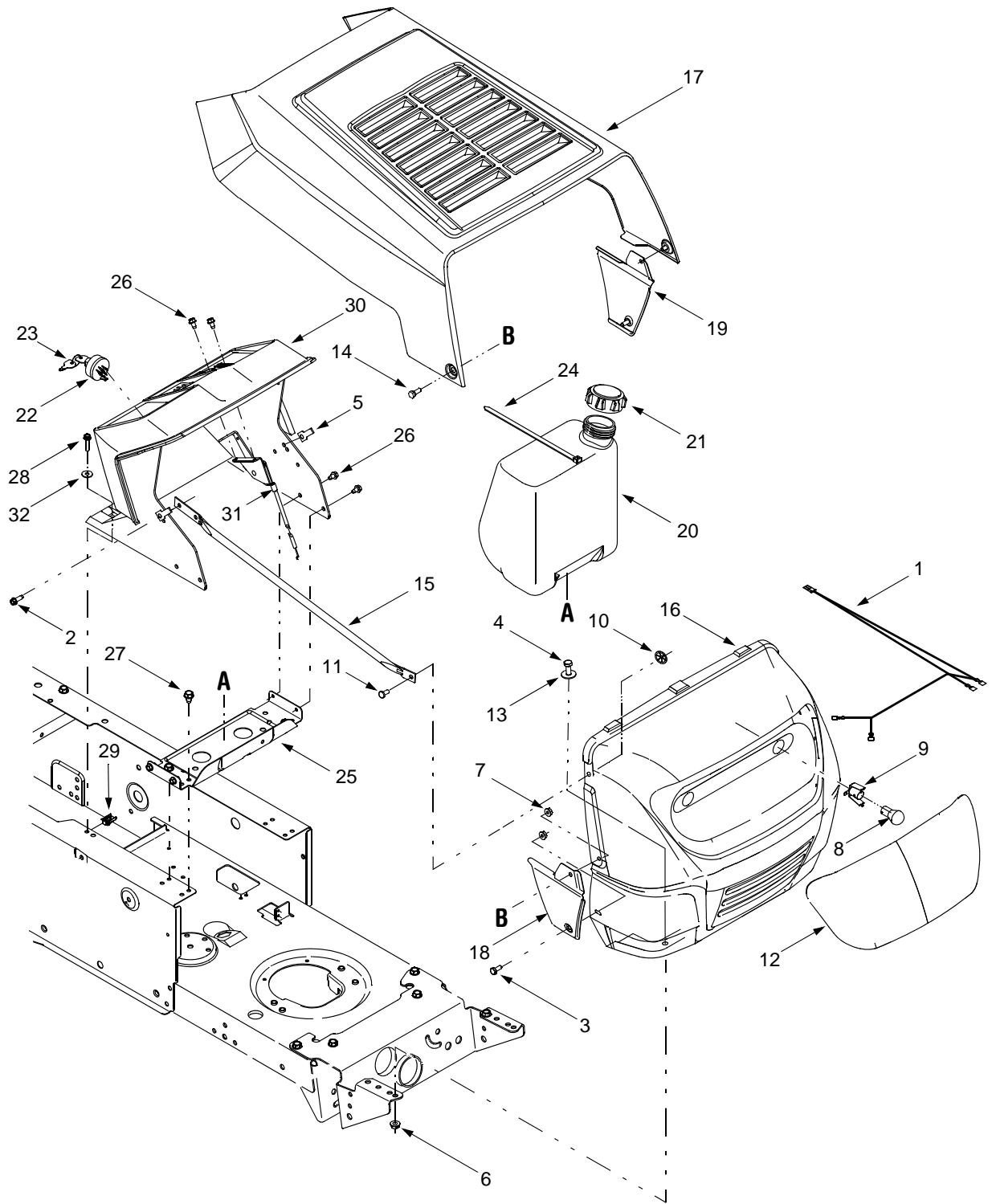
<b>REF. NO.</b>	<b>PART NO.</b>	<b>DESCRIPTION</b>
1	711-04069	Grass Catcher Pin, 1/4-20
2	618-0574	Spindle Assembly, 5.75 Dia. w/ Fitting
	756-0980	Pulley Only
3	683-0198F	42-inch Deck Shell
4	683-0254	Deck Adjustment Bracket w/ Weld Nut
5	736-0140	Flat Washer, .385 x .62 x .063
6	710-0520	Hex Cap Screw, 1/4-20 x 1.5
7	710-0528	Hex Cap Screw, 5/16-18 x 1.25
8	710-0726	Self-tapping Screw, 5/16-12 x .75
9	710-0751	Hex Cap Screw, 1/4-20 x .62
10	710-1238	Hex Head Washer Screw, 5/16-18 x .875
11	710-0650	Self-tapping Screw, 5/16-18 x .875
12	710-3151	Hex Cap Screw, 5/8-18 x .875
13	712-0337	Hex Nut, 5/8-18
14	712-0417A	Hex Flange Nut, 5/8-18
15	712-0431	Flange Lock Nut, 3/8-16
16	712-3004A	Flange Lock Nut, 5/16-18
17	712-3006	Hex Nut, 1/4-20
18	712-3027	Hex Flange Lock Nut, 1/4-20
19	714-0470	Cotter Pin, 1/8 x 1.25
20	716-3020	Internal Snap Ring
21	717-1553B	Deck Adjustment Gear
22	726-0233	Push Nut, .25 x .5
23	731-1032B	Side Discharge Chute Assembly
24	731-2486	Belt Cover
25	732-0306	Compression Spring, .406 x .531 x 1.75
26	732-0470A	Extension Spring, .50 x 4.74
27	734-0973	Deck Wheel, 5 x 1.38
28	712-0641	Hex Nut, M-16 x 1.5
29	736-0119	Lock Washer, 5/16
30	736-0158	Lock Washer, 5/8
31	736-0162	Flat Washer, .64 x 1.0 x .12
32	736-0270	Bell Washer, .265 x .75 x .062
33	738-0373	Shoulder Screw, .498 x 1.53
34	741-0524	Bearing, .625 x 1.574 x .470
35	742-0616A	Three-in-one Blade, Star Center, 21.23"
36	747-1116	Deck Release Pin
37	748-0331	Shoulder Spacer, .625 x .324
38	750-0932A	Spacer, .635 x .88 x 1.72
39	683-0440	Deck Brake Assembly
40	754-0498	Deck Belt
41	756-0627B	Idler Pulley, 3.5
42	756-1202	Double Pulley, 5.0
43	710-1830	Self-tapping Screw, 1/4-20 x 4.0
44	746-0970	Brake Cable, 5.05
45	783-1291	Idler Bracket
46	711-1534	Pin, 3/8-16, 3/8 x 3.27
47	721-0417	O-Ring
48	737-04003	Water Nozzle
49	736-0760	Lock Washer, 17 x 23.8 x 1.95

# Model LT-1500



ITEM	DESCRIPTION
1	KEY SWITCH OFF
2	PTO OFF
3	TRACTOR UNOCCUPIED
4	BRAKE SWITCH OFF

# Model LT 15



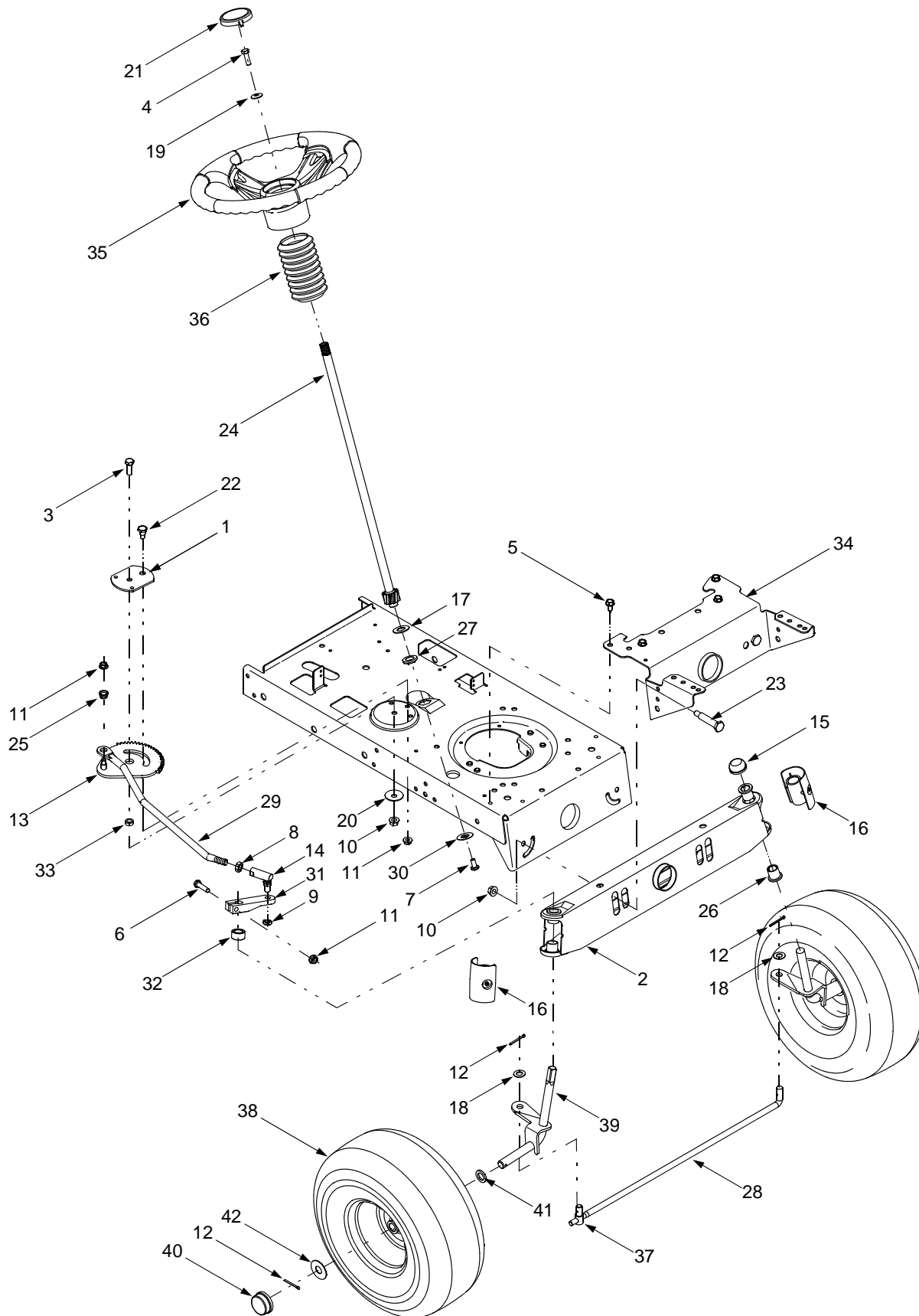
## Model LT 15

REF. NO.	PART NO.	DESCRIPTION
1	629-0469B	Headlamp Harness Assembly
2	710-0642	Self-tapping Screw, 1/4-20 x .75
3	710-0751	Hex Screw, 1/4-20 x .620
4	710-3008	Hex Screw, 5/16-18 x .75
5	712-0185	U-type Speed Nut, 1/4-20
6	712-3004A	Flange Lock Nut, 5/16-18
7	712-3027	Flange Lock Nut, 1/4-20
8	725-0963	Headlamp, 12V
9	725-1651	Headlamp Socket
10	726-04012	Push-on Nut, .25
11	728-0162	Flat-head Rivet, 1/4
12	731-1503A	Lens
13	736-3078	Flat Washer, .344 x 1.0 x .063
14	738-0952A	Shoulder Screw, 1/4-20 x .375 / .125
15	749-0722C	Grille Support Rod
16	783-0156B	Grille
17	783-0250A	Hood w/ Louvers
18	783-0366	RH Side Panel (Insert)
19	783-0367	LH Side Panel (Insert)
20	751-0555B	Fuel Tank, 1.5 gal.
21	751-0603	Fuel Tank Cap
22	725-1396	Ignition Switch, 6-pin
23	725-0201	Keys (pair)
24	726-0209	Cable Tie, 30.66
25	17632C	Battery Support Bracket
26	710-0599	Self-tapping Screw, 1/4-20 x .5
27	710-0607	Self-tapping Screw, 5/16-18 x .5
28	710-0788	Self-tapping Screw, 1/4-20 x 1.0
29	726-3054	U-type Speed Nut, 1/4-20
30	731-04179	Dash Panel
31	746-04020	Throttle / Choke Control, 18.5"
32	736-3090	Flat Washer, .260 x .720 x .060

**NOTE:** For **painted parts**, refer to the list of color codes below. Please add the applicable color code, wherever needed, to the part number to order a replacement part. For instance, if a part, numbered 700-xxxx, is painted Oyster Gray, the part number to order would be 700-xxxx-0662.

Oyster Gray: 0662  
 Powder Black: 0637  
 Red Metallic: 0650

# Model LT 15

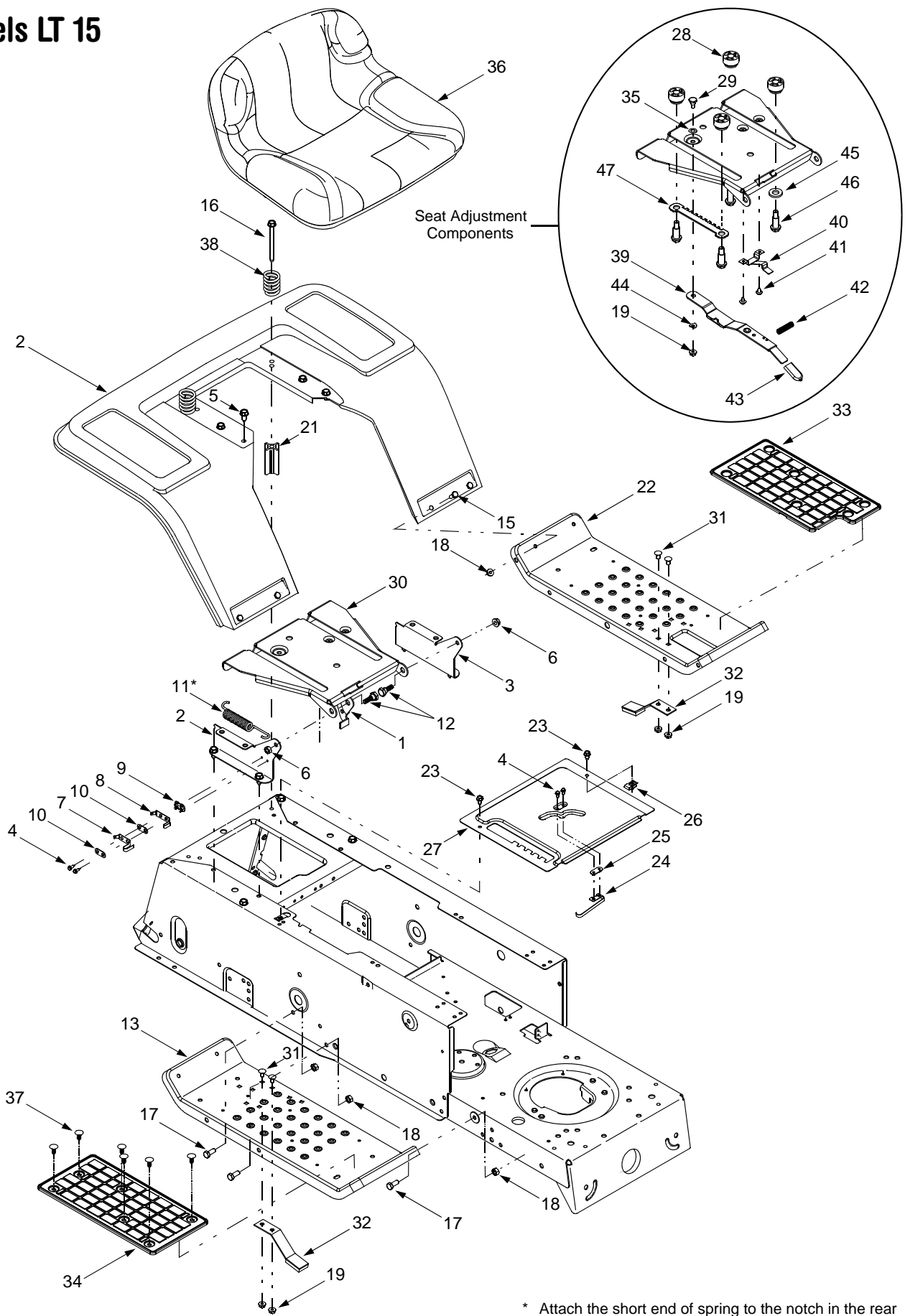


## Model LT 15

REF. NO.	PART NO.	DESCRIPTION
1	17198A	Retainer Gear Segment Plate
2	683-0002A	Pivot Bar, .625
3	710-0514	Hex Cap Screw, 3/8-16 x 1.0
4	710-0643	Hex Cap Screw, 5/16-18 x 1.0
5	710-0726	Self-tapping Screw, 5/16-12 x .75
6	710-0805	Hex Cap Screw, 5/16-18 x 1.5
7	710-1309	Machine Screw, 5/16-18 x .75
8	712-0240	Jam Nut, 7/16-20 (Grade 2)
9	712-0262	Jam Nut, 3/8-24
10	712-0431	Flange Lock Nut, 3/8-16
11	712-3004A	Flange Lock Nut, 5/16-18
12	714-0470	Cotter Pin, 1/8 x 1.25
13	717-1757	Steering Segment Gear
14	723-0448A	Ball Joint, 7/16 -20
15	726-0214	Push Cap, .625
16	731-04058	Axle End Cap, w/ Fitting
17	736-0187	Flat Washer, .64 x 1.24 x .060
18	736-0226	Flat Washer, .474 x .879 x .064
19	736-0242	Bell Washer, .34 x .872 x .060
20	736-0356	Bell Washer, .391 x .380 x .062
21	731-04039	Steering Wheel Cap, Small
22	738-0141	Shoulder Screw, .435 x .350, 5/16-18
23	738-0527	Shoulder Screw, .498 x 2.045
24	738-0919	Steering Shaft, 21.86
25	741-0475	Plastic Bushing, .38 ID
26	741-0487A	Flange Bushing, .632 ID
27	741-0656	Hex Flange Bearing, 5/8
28	747-04057	Tie Rod, Adjustable
29	747-1268A	Steering Drag Link, 7/16-20
30	748-0389	Cap, 1.25 x .16
31	748-04014A	Steering Arm
32	748-04020	Spacer, 1.0 x .645 x .56
33	750-0535	Spacer, .380 x .625 x .21
34	783-0041A	Pivot Bar Bracket
35	631-04028	Steering Wheel, Three Spoke
36	731-0954	Steering Bellow, 4.75"
37	711-04059	Ferrule, 3/8-24 x .437 Dia
38	634-0105A	Square Shoulder Wheel Ass'y Complete
39	683-04016	RH Axle Assembly
	683-04015	LH Axle Assembly
40	731-0484A	Hub Cap
41	736-0162	Flat Washer, .64 x 1.0 x .12
42	736-0285	Flat Washer, .635 x 1.589 x .06

	Wheel Ass'y Complete	Rim Assembly	Inner Bearing	Outer Bearing	Tire Only	Air Valve
Square Shoulder	634-0105A	634-0172	741-0706 (Flange w/ Fitting)	741-0487A (Plastic Flange)	734-1731 (15 x 6 x 6)	734-0255

# Models LT 15



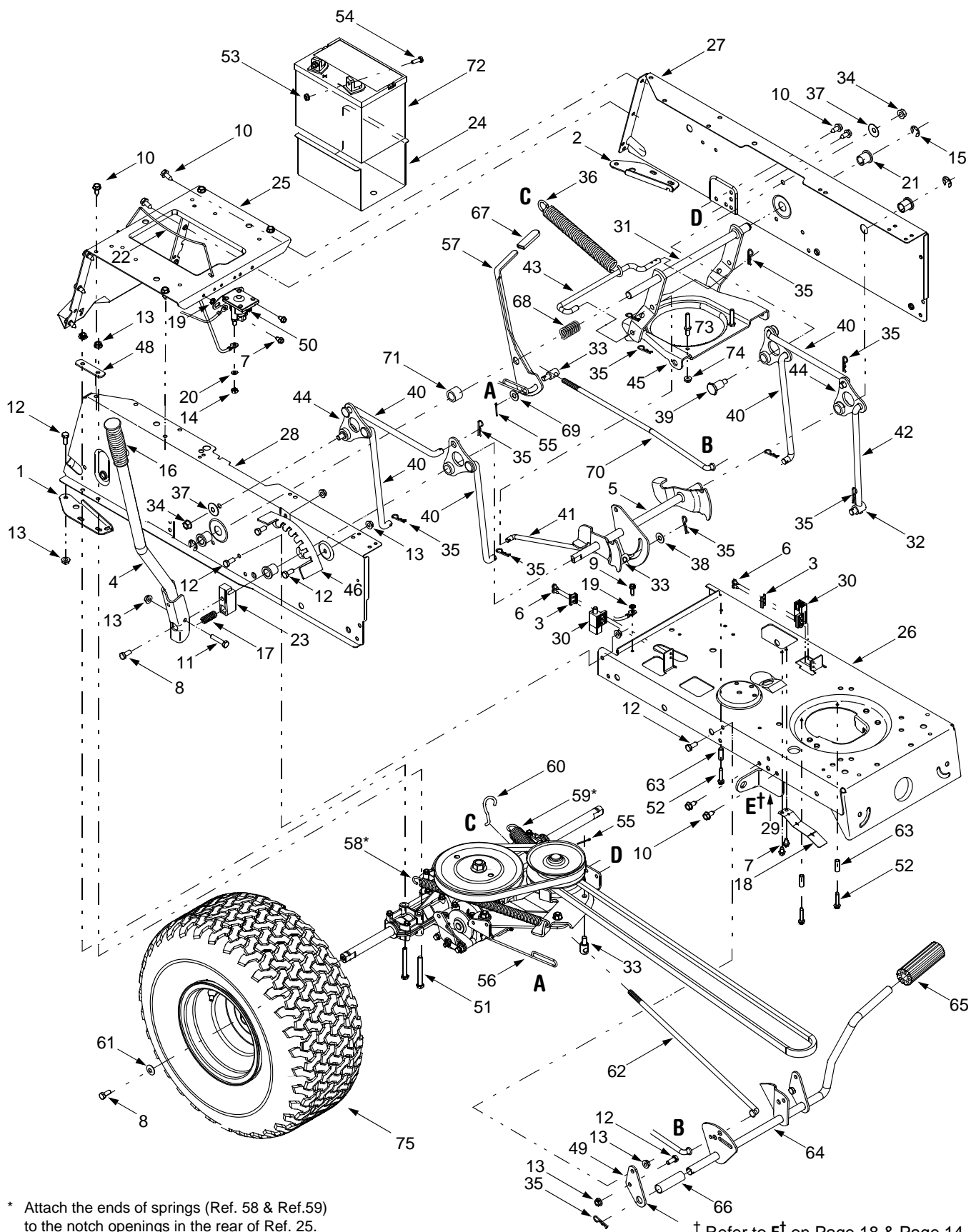
\* Attach the short end of spring to the notch in the rear of Ref. No. 2. Attach the long end to Ref. No. 1.

**Model LT 15**

<b>REF. NO.</b>	<b>PART NO.</b>	<b>DESCRIPTION</b>
1	17239A	Seat Lift Bracket
2	17950A	RH Pivot Support Bracket, Seat
3	17951A	LH Pivot Support Bracket, Seat
4	710-0227	Self-tapping Screw, #8-18 x .50
5	710-0726	Self-tapping Screw, 5/16-12 x .75
6	712-3004A	Flange Lock Nut, 5/16-18
7	725-1303	Outer Seat Spring Switch
8	725-1439	Inner Seat Spring Switch
9	726-0278	Insulator Plate Boss
10	726-0279	Insulator Plate
11	732-0581B	Extension Spring, .75 x 5.31
12	738-0296	Shoulder Screw, .437 x .286
13	17770G	Running Board
14	17870B	Fender
15	710-0751	Hex Screw, 1/4-20 x .620
16	710-1208	Self-tapping Screw, 5/16-18 x 3.5
17	710-3008	Hex Screw, 5/16-18 x .75
18	712-0429	Nylon Lock Nut, 5/16-18
19	712-3027	Flange Lock Nut, 1/4-20
20	732-04038	Compression Spring, 1.314 x 1.8
21	748-0347A	Spacer
22	783-04139	LH Running Board
23	710-0599	Self-tapping Screw, 1/4-20 x .5
24	725-1643	Spring Switch, Long
25	726-0320	Insulator Nut Plate
26	726-3054	U-Clip Nut, 1/4-20
27	783-04050	Shift Cover Panel, 8-speed
28	731-04074	Spacer
29	712-0137A	Shoulder Screw, .340 x .285, 1/4- 20
30	783-0607A	Seat Pivot Bracket
31	710-0167	Carriage Screw, 1/4-20 x .50
32	761-0168B	Blade Spindle Brake Assembly
33	735-04009	LH Rubber Foot Pad
34	735-0196	RH Rubber Foot Pad
35	736-0204	Flat Washer, .344 x .62
36	757-0363A	Low Back Seat, Black
37	726-3046	Ratchet Clip, .250 Dia
38	732-0735	Compression Spring, 1.314 x 2.55
39	783-0609	Seat Adjustment Lever
40	783-0611	Seat Stop
41	710-1268	Screw, #10-16 x .375
42	732-0499	Compression Spring
43	720-0309A	Grip
44	736-0175	Spring Washer
45	736-3019	Flat Washer, .531 x 1.062 x .134
46	738-0966	Shoulder Screw, .50 x .925, 3/8-16
47	783-0753	Seat Select Bracket



# Model LT 15

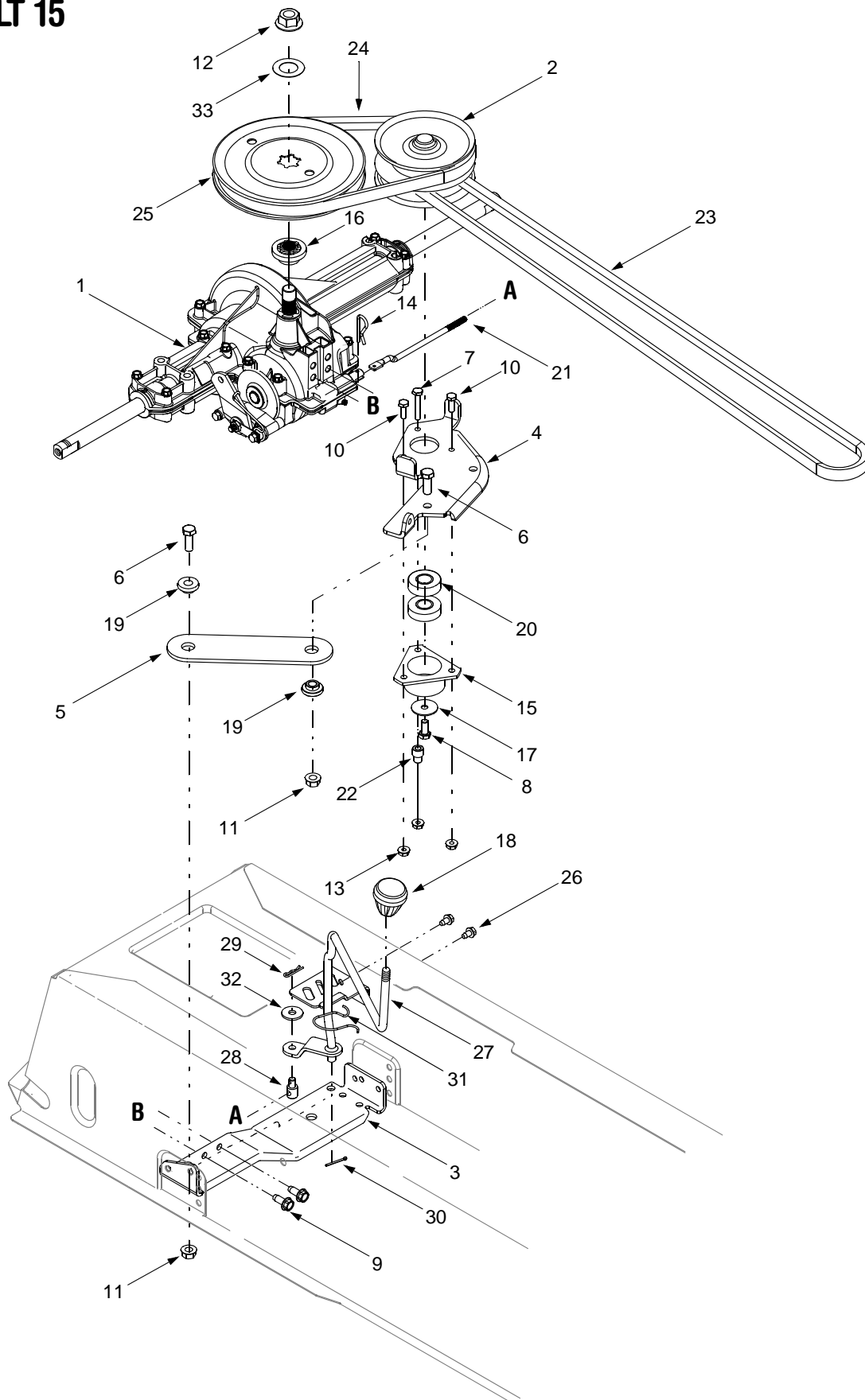


## Model LT 15

REF. NO.	PART NO.	DESCRIPTION	REF. NO.	PART NO.	DESCRIPTION
1	17668A	RH Axle Support Bracket	39	738-0445A	Shoulder Bolt, 3/8-16 x .62 x .92
2	17669A	LH Axle Support Bracket	40	747-04018	Deck Hanger Link
3	17962	Switch Plate	41	747-04040A	Deck Disengagement Rod
4	683-04025	Lift Handle Assembly	42	747-04069	Deck Hanger Link
5	683-04049	Lift Shaft Assembly	43	747-04115A	Rear Stabilizer Rod
6	710-0224	Self-tapping Screw, #10-16 x .5	44	748-04010	Lift Link
7	710-0599	Self-tapping Screw, 1/4-20 x .5	45	783-04093	Deck Stabilizer Bracket
8	710-0627	Hex Cap Screw, 5/16-24 x .75	46	783-04113	Deck Lift Index Bracket
9	710-0642	Self-tapping Screw, 1/4-20 x .75	47	17630A	Shift Lever Retainer
10	710-0726	Self-tapping Screw, 5/16-12 x .75	48	17840	Transaxle Mounting Bracket
11	710-0805	Hex Cap Screw, 5/16-18 x 1.5	49	17860	Pedal Mounting Bracket
12	710-3008	Hex Screw, 5/16-18 x .75	50	725-1426	Solenoid
13	712-3004A	Flange Lock Nut, 5/16-18	51	710-0176	Hex Cap Screw, 5/16-18 x 2.75
14	712-3006	Hex Nut, 1/4-20	52	710-0809	Self-tapping Screw, 1/4-20 x 1.25
15	716-0106	E-Ring, .625 Dia Shaft	53	712-0271	Hex Sems Nut, 1/4-20
16	720-0233	Handle Grip	54	710-3015	Hex Screw, 1/4-20 x .75
17	732-0369	Compression Spring, .55 x 1.37	55	714-0111	Cotter Pin, 1.0
18	732-0750A	Switch Actuator Spring	56	732-04029	Extension Spring, .59 x 12.38
19	736-0222	External Lock Washer, 1/4	57	783-04059	Speed Select Lever
20	736-0329	Lock Washer, 1/4	58	732-04075A	Extension Spring, .73 x 12.54
21	741-0487A	Flange Bearing, .632 ID	59	732-04076	Extension Spring, 1.15 x 7.90
22	747-04031	Battery Hold-down Rod	60	732-0722A	Brake Return Spring
23	748-04011	Lift Shaft Connector	61	736-0242	Bell Washer, .34 x .872 x .060
24	783-0345	Battery Tray	62	747-04043	Variable Speed Control Rod
25	783-0355C	Hitch Plate	63	750-0566A	Spacer, .260 x .372 x 1.030
26	783-04011	Lower Frame	64	683-04005A	Clutch / Brake Pedal Assembly
27	783-04031	LH Upper Frame Side Panel	65	735-0196	Foot Pad, 4.6
28	783-04032	RH Upper Frame Side Panel	66	750-0802	Spacer, .640 x .76 x 2.63
29	783-04213	Deck Anti-sway Bracket	67	720-04008	Shift Handle Grip
30	725-04039	Screw-mount Interlock Switch	68	732-04017	Compression Spring, .89 x 1.75
31	683-04048	Stabilizer Shaft Assembly	69	736-0300	Flat Washer, .406 x .875 x .059
32	711-04036	Ferrule, 1/2-20 x .50	70	747-04039	Speed Control Rod
33	711-04075	Ferrule, 3/8-24 x .375	71	750-04080	Spacer, .640 x 1.0 x .78
34	712-0431	Flange Lock Nut, 3/8-16	72	725-1706	Battery, 270 CCA
35	714-04023	Internal Cotter Pin, .080 x 1.56	73	712-3027	Flange Lock Nut, 1/4-20
36	732-04050A	Extension Spring, 1.07 x 9.52	74	711-0993	Belt Guard Pin, 1/4-20
37	736-0219	Bell Washer, .389 x 1.12 x .030	75	634-0104	Square Shoulder Wheel Ass'y Complete
38	736-0267	Flat Washer, .385 x .87 x .060			

	Wheel Ass'y Complete	Rim Assembly	Tire Only	Air Valve
Square Shoulder	634-0104	634-0070	734-1730 (20 x 8 x 8)	734-0255

# Model LT 15



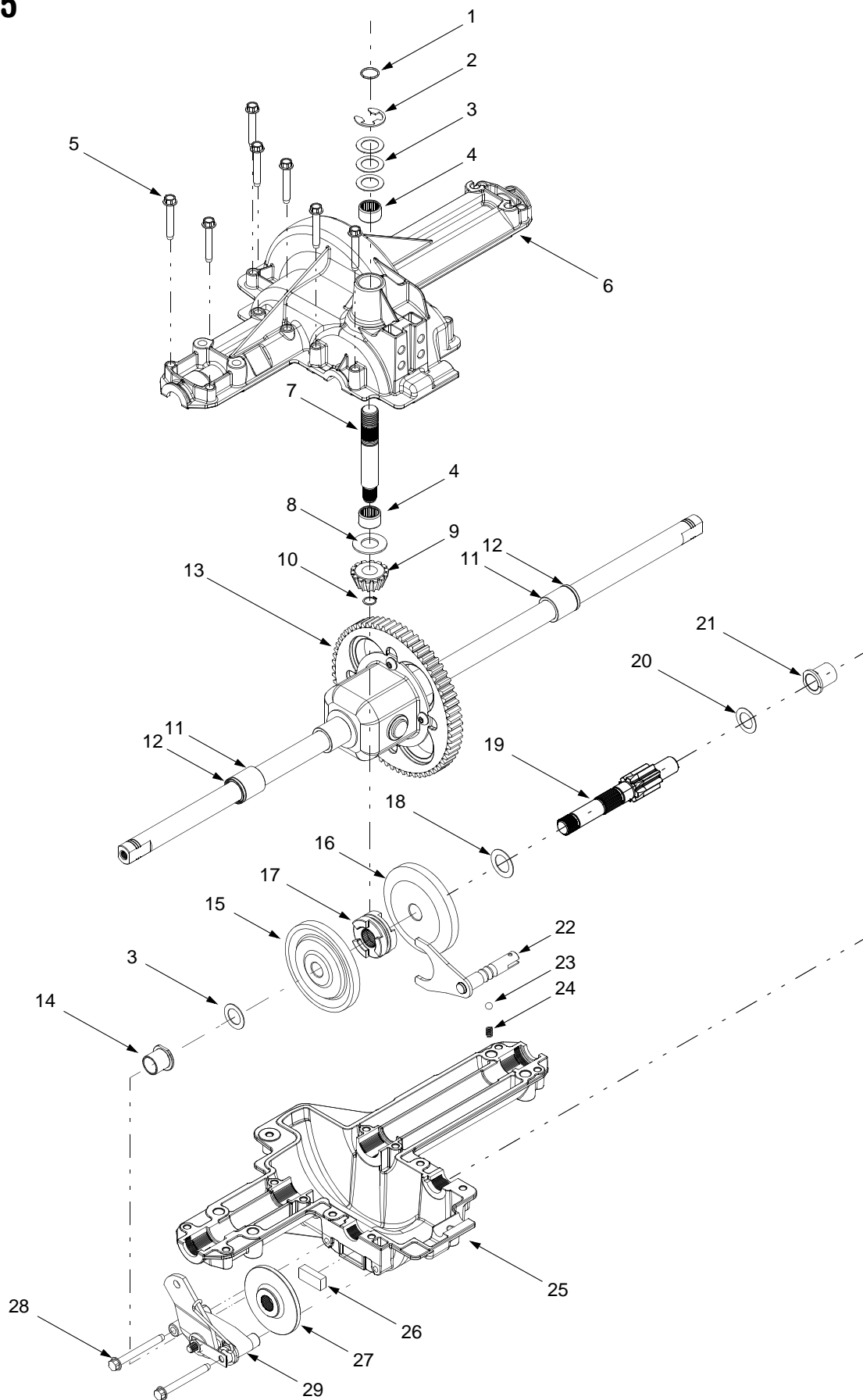
## Model LT 15

REF. NO.	PART NO.	DESCRIPTION
1	618-04034	Transmission, Single-speed
2	656-0059A	Variable-speed Pulley, 4.75
3	683-04055	Torque Bracket
4	683-04056	Variable-speed Bracket
5	683-04057	Variable-speed Bracket
6	710-0514	Hex Cap Screw, 3/8-16 x 1.0
7	710-0606	Hex Cap Screw, 1/4-20 x 1.5
8	710-0627	Hex Cap Screw, 5/16-24 x .75
9	710-1260A	Screw, 5/16-18 x .75
10	710-3015	Hex Screw, 1/4-20 x .75
11	712-0431	Flange Lock Nut, 3/8-16
12	712-0700	Flange Nut, 9/16-18
13	712-3027	Flange Lock Nut, 1/4-20
14	714-0209	Internal Cotter Pin, .125
15	718-04012	Bearing Cup
16	718-0758	Pulley Hub, 5/8 Spline
17	736-0362	Flat Washer, .320 x 1.25 x .06
18	720-0232	Shift Knob, 1.60 OD X 1.56
19	738-0372B	Shoulder Spacer, 1.0 x .38 x .38
20	741-0600	Ball Bearing, 17 x 40 x 12
21	747-04072	Shift Rod
22	750-04099	Stepped Spacer
23	754-04001	Lower Drive Belt
24	754-04002	Upper Drive Belt
25	756-04002	Transmission Pulley, 7.25
26	710-0599	Self-tapping Screw, 1/4-20 x .5
27	647-04009A	Shift Lever Assembly
28	711-0736	Ferrule, 1/4-20 x 1.0
29	714-0104	Cotter Pin, 1.13
30	714-0111	Cotter Pin, 1.0
31	732-04067	Spring Compression Clip
32	736-3089	Flat Washer, 5/16 x .934 x .100
33	736-04089	Flat Washer, .88 ID x 1.5 OD

**NOTE:** For **painted parts**, refer to the list of color codes below. Please add the applicable color code, wherever needed, to the part number to order a replacement part. For instance, if a part, numbered 700-xxxx, is painted Oyster Gray, the part number to order would be 700-xxxx-0662.

Oyster Gray: 0662  
 Powder Black: 0637  
 Red Metallic: 0650

# Model LT 15



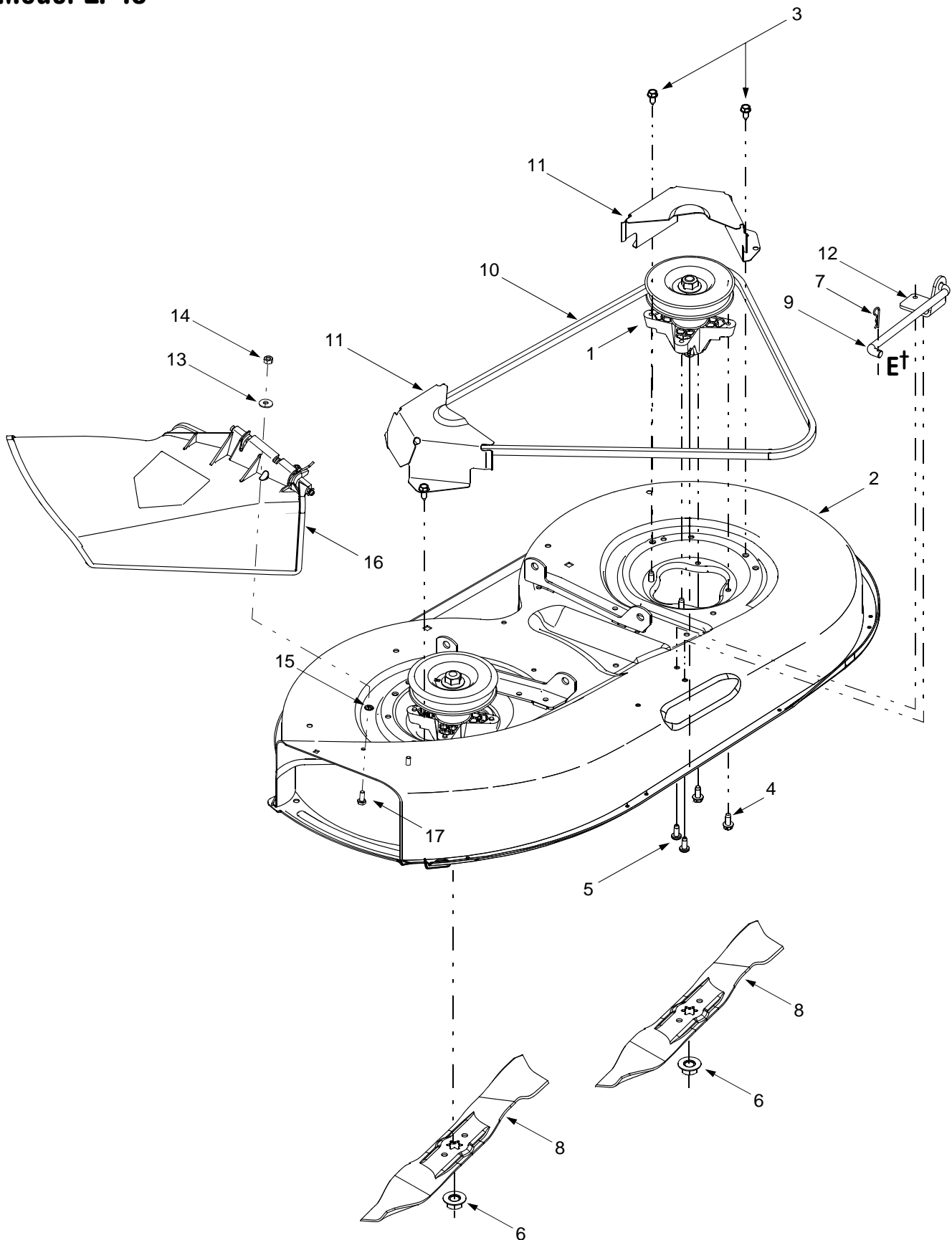
## Model LT 15

REF. NO.	PART NO.	DESCRIPTION
1	732-0614	Ring, Wire
2	716-0231	Ring, E Type, .750
3	736-0336	Flat Washer, 5/8 x 1.0 x .030*
	736-0337	Flat Washer, 5/8 x 1.0 x .040*
	736-0349	Flat Washer, 5/8 x 1.0 x .020*
4	736-0335	Washer, Thrust .635 x 1.26 x .06
5	710-1325	Self-tapping Screw, 1/4-20 x 1.625
6	719-04017	Upper Housing
7	711-1109	Input Shaft
8	741-0335	Needle Bearing, .625 x .813 x .495
9	717-1464	14-tooth Bevel Pinion
10	716-0108	Retaining Ring, .437
11	741-0340	Sleeve Bearing, .75 x .1.0 x 1.0
12	721-0338	Seal, .75 x 1.0 x .125
13	618-04041	Differential Assembly
14	741-0336	Flange Bearing, 5/8 x 3/4 x 3/4
15	717-1362	42-tooth Bevel Gear
16	717-1363	42-tooth Bevel Gear
17	718-0228	Clutch Collar
18	736-0519	Flat Washer, .70 x 1.125 x .031
19	711-04053	Drive Shaft
20	736-0495	Thrust Washer, 1.0 x .632 x .0
21	741-0337	Flange Bearing, 5/8 x 3/4 x 15/16
22	611-0011	Detent Shaft Assembly
23	741-0862	Detent Ball
24	732-0863	Compression Spring
25	719-04018	Lower Housing
26	717-0678	Brake Puck
27	761-0202	Brake Disc
28	710-1206	Self-tapping Screw, 1/4-20 x 2.375
29	661-0001	Brake Assembly
—	737-0148	Grease (19 oz.)

\*Use applicable flat washer (12a, 12b or 12c) in this application allowing .0150/.0020 in. end-play

NOTE: If rebuilding the upper housing, include two ounces (2 oz.) of Unirex<sup>®</sup> N3 grease (Part No. 737-0289) in the input shaft cavity.

# Model LT 15



† Refer to E† on Page 8

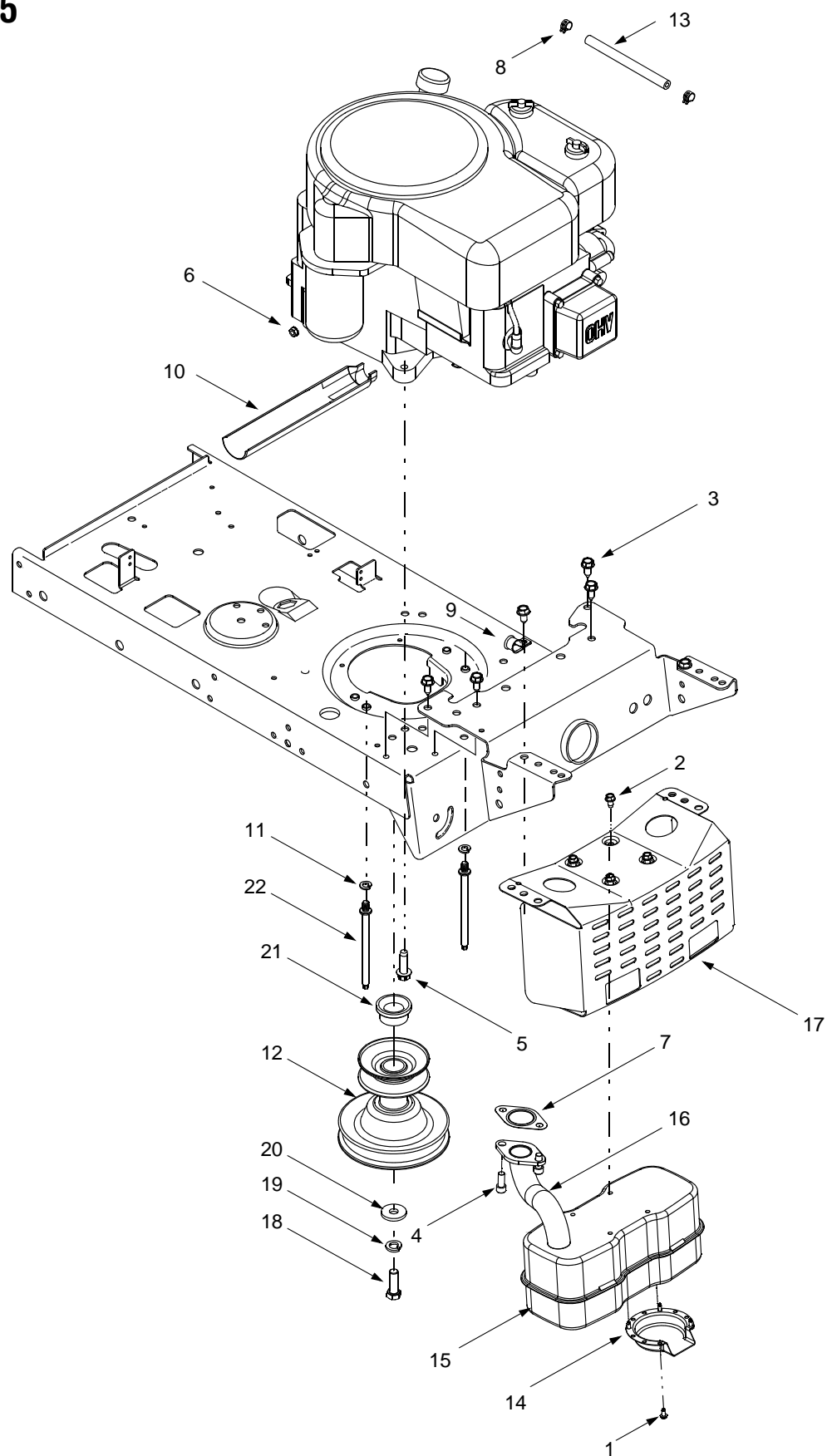
## Model LT 15

REF. NO.	PART NO.	DESCRIPTION
1	618-0138A	Spindle Assembly
2	683-04003A	Deck Shell
3	710-0726	Self-tapping Screw, 5/16-12 x .75
4	710-1260A	Screw, 5/16-18 x .75
5	710-1611B	Self-tapping Screw, 5/16-18 x .75
6	712-0417A	Hex Flange Nut, 5/8-18
7	714-04023	Internal Cotter Pin, .080 x 1.56
8	742-0610A	Blade, 19.38"
9	747-04018	Deck Hanger Link/Anti-sway Rod
10	754-0329A	Deck Belt
11	783-04148	Belt Cover
12	783-04211	Anti-sway Stabilizer Bracket
13	736-0270	Bell Washer, .265 x .75 x .062
14	712-3006	Hex Nut, 1/4-20
15	726-0233	Push Nut, 1/4
16	731-1032	Discharge Chute Assembly
17	710-0751	Hex Cap Screw:1/4-20 x .620

**IMPORTANT:** For a proper working machine, use Factory Approved Parts. **V-belts** are designed to engage and disengage safely. A substitute (non OEM) V-belt can be dangerous by not disengaging completely.



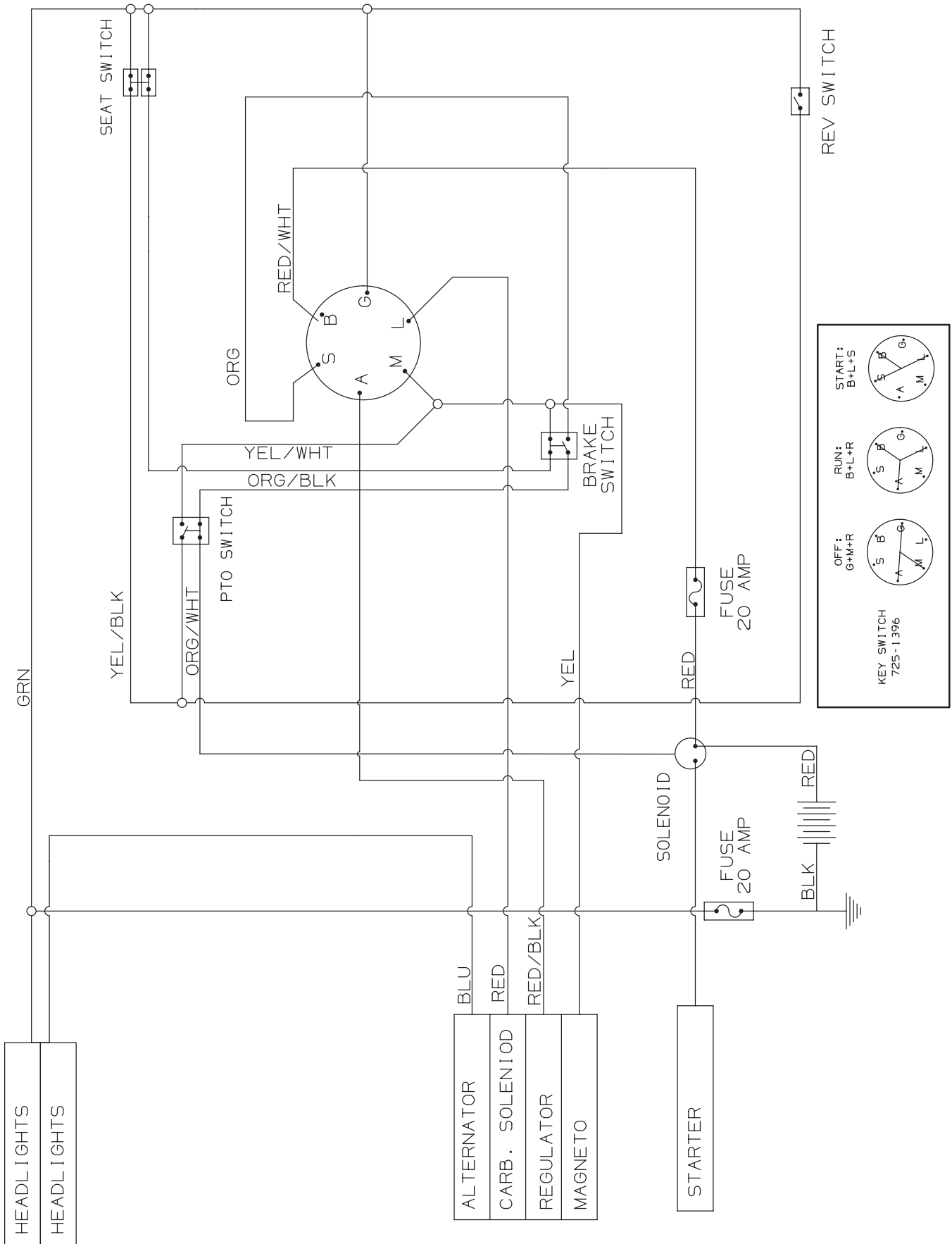
# Model LT 15



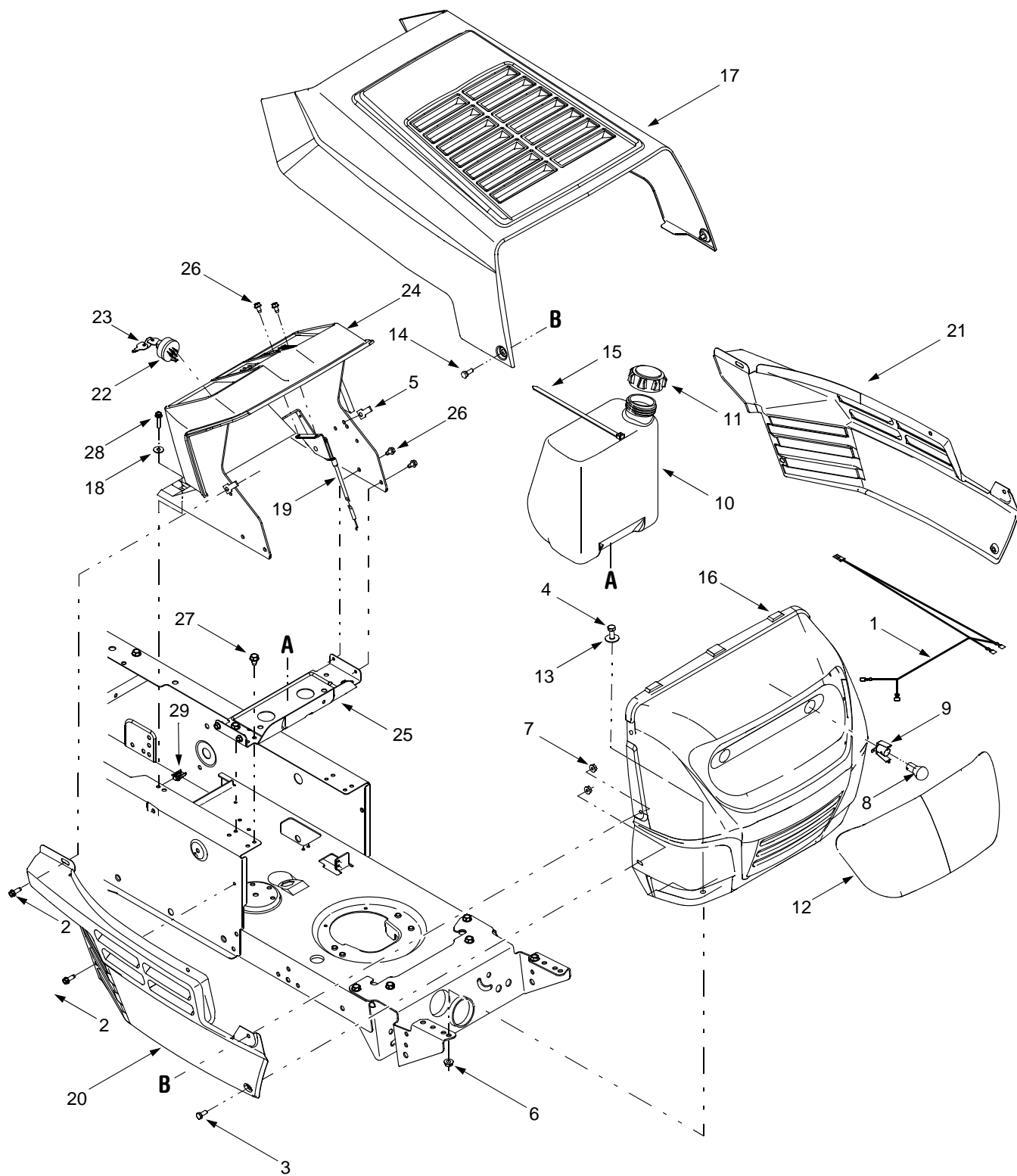
## Model LT 15

REF. NO.	PART NO.	DESCRIPTION
1	710-0148	Screw, #8-32 x .375
2	710-0599	Self-tapping Screw, 1/4-20 x .5
3	710-0726	Self-tapping Screw, 5/16-12 x .75
4	710-1314A	Socket Cap Screw, 5/16-18 x .625
5	710-1315	Self-tapping Screw, 3/8-16 x 1.25
6	712-0271	Hex Sems Nut, 1/4-20
7	721-0348	Exhaust Gasket
8	726-0205	Hose Clamp, .490
9	726-0272	Clamp, 9/16
10	731-1682A	Oil Drain Sleeve
11	736-0119	Lock Washer, 5/16
12	756-04023	Engine Pulley, 3.12 x 5.56
13	751-0535	Fuel Line Hose
14	751-0564	Muffler Deflector
15	751-0617	Muffer, Single Inlet
16	751-0620	Exhaust Pipe
17	783-0615B	Muffler Heat Shield
18	710-3029	Hex Screw, 7/16-20 x 1.25
19	736-0171	Lock Washer, 7/16
20	736-0322	Flat Washer, .450 x 1.25 x .164
21	750-0956	Spacer, 1.0 x 1.4 x .825
22	711-1044	Belt Keeper Pin, 5/16 x 4.75

# Model LT 15



# Model LT 165



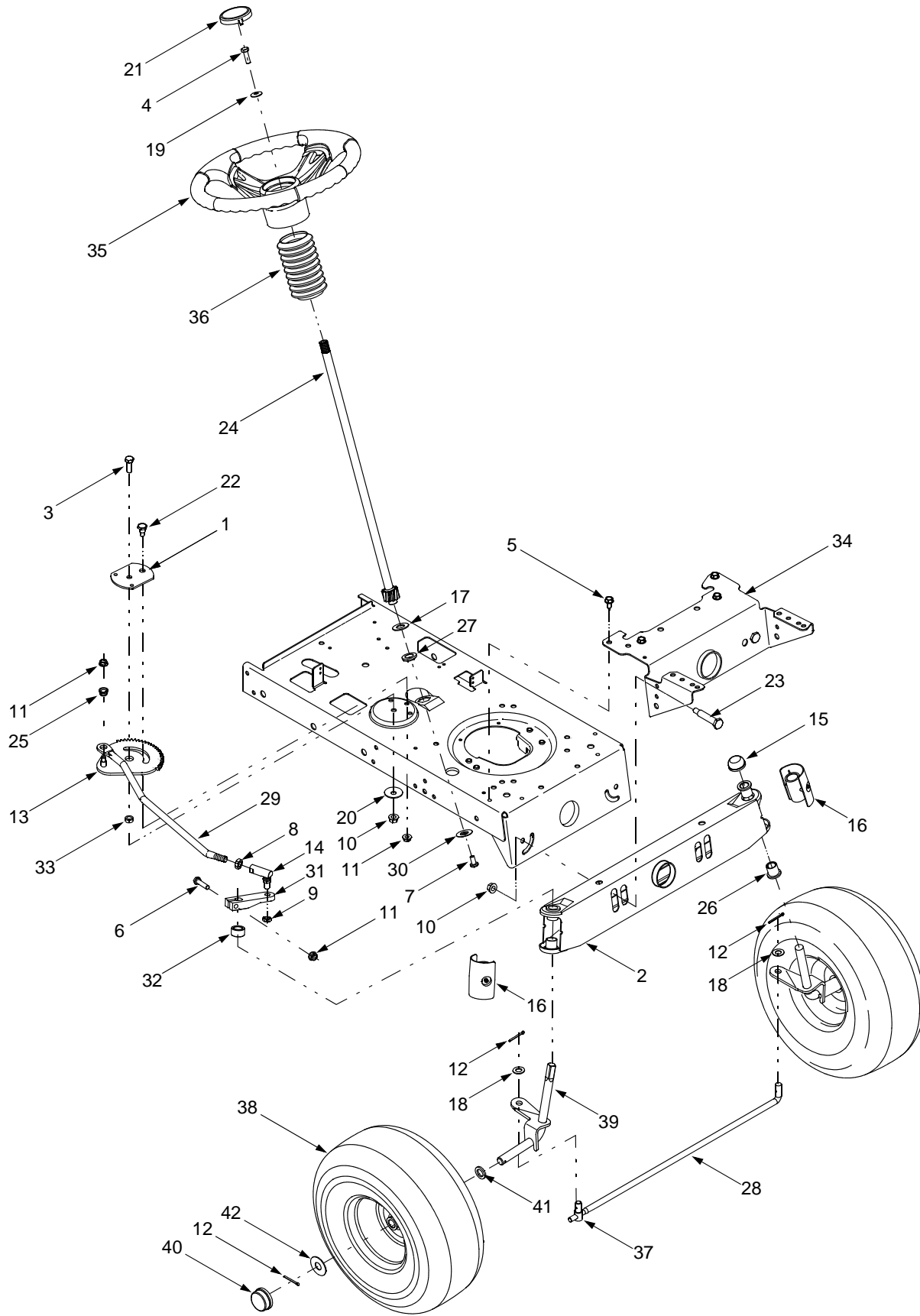
## Model LT 165

REF. NO.	PART NO.	DESCRIPTION
1	629-0469B	Headlamp Harness Assembly
2	710-0642	Self-tapping Screw, 1/4-20 x .75
3	710-0751	Hex Screw, 1/4-20 x .620
4	710-3008	Hex Screw, 5/16-18 x .75
5	712-0185	U-type Speed Nut, 1/4-20
6	712-3004A	Flange Lock Nut, 5/16-18
7	712-3027	Flange Lock Nut, 1/4-20
8	725-0963	Headlamp, 12V
9	725-1651	Headlamp Socket
10	751-0555B	Fuel Tank, 1.5 gal.
11	751-0603	Fuel Tank Cap
12	731-1503A	Lens
13	736-3078	Flat Washer, .344 x 1.0 x .063
14	738-0952A	Shoulder Screw, 1/4-20 x .375 / .125
15	726-0209	Cable Tie, 30.66
16	783-0156B	Grille
17	783-0250A	Hood w/ Louvers
18	736-3090	Flat Washer, .260 x .720 x .060
19	746-04020	Throttle / Choke Control, 18.5"
20	783-0150B	RH Side Panel
21	783-0151B	LH Side Panel
22	725-1396	Ignition Switch, 6-pin
23	725-0201	Keys (pair)
24	731-04179	Dash Panel
25	17632C	Battery Support Bracket
26	710-0599	Self-tapping Screw, 1/4-20 x .5
27	710-0607	Self-tapping Screw, 5/16-18 x .5
28	710-0788	Self-tapping Screw, 1/4-20 x 1.0
29	726-3054	U-type Speed Nut, 1/4-20

**NOTE:** For **painted parts**, refer to the list of color codes below. Please add the applicable color code, wherever needed, to the part number to order a replacement part. For instance, if a part, numbered 700-xxxx, is painted Oyster Gray, the part number to order would be 700-xxxx-0662.

Oyster Gray: 0662  
 Powder Black: 0637  
 Red Metallic: 0650

# Model LT 165

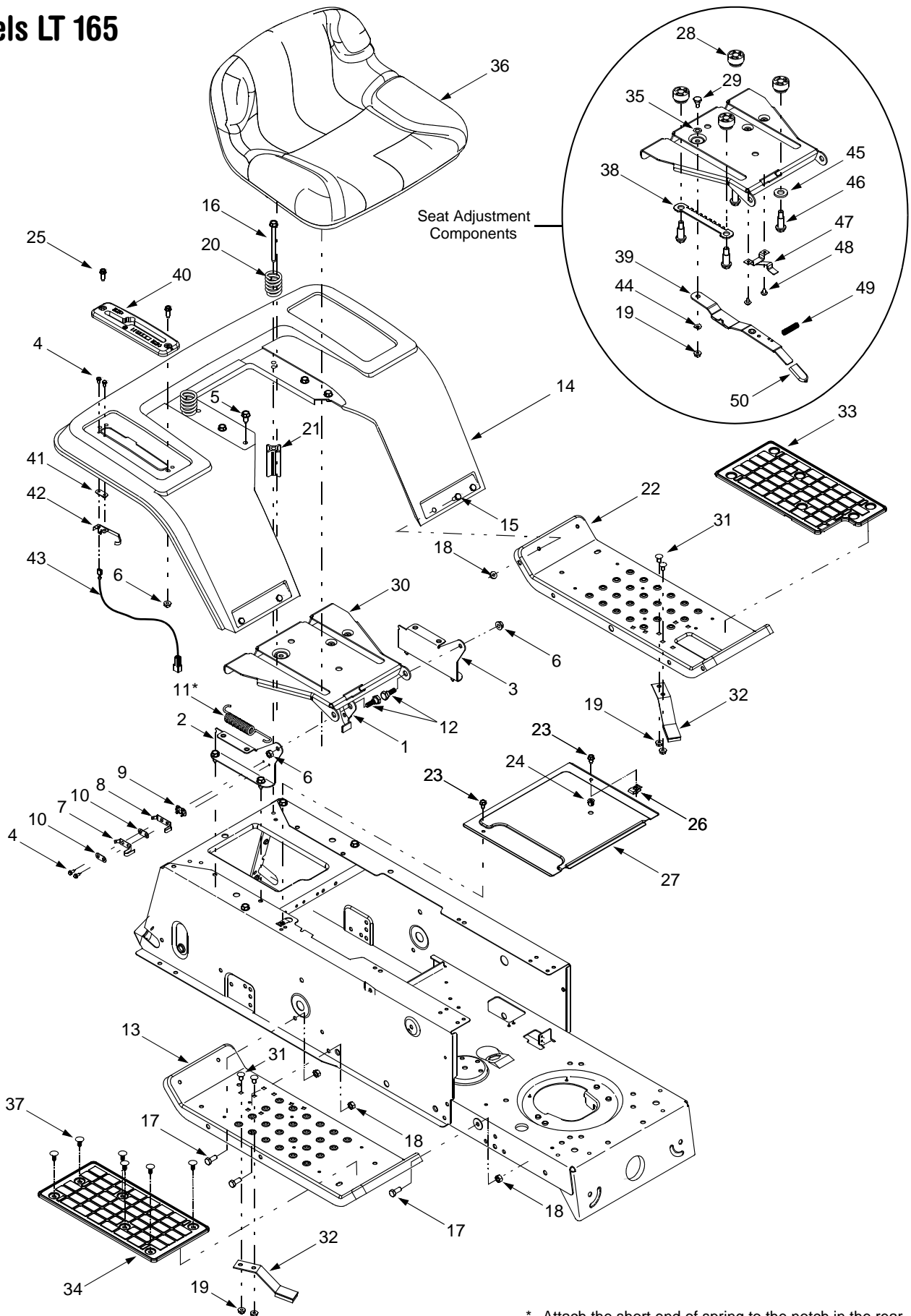


## Model LT 165

REF. NO.	PART NO.	DESCRIPTION
1	17198A	Retainer Gear Segment Plate
2	683-0002A	Pivot Bar, .625
3	710-0514	Hex Cap Screw, 3/8-16 x 1.0
4	710-0643	Hex Cap Screw, 5/16-18 x 1.0
5	710-0726	Self-tapping Screw, 5/16-12 x .75
6	710-0805	Hex Cap Screw, 5/16-18 x 1.5
7	710-1309	Machine Screw, 5/16-18 x .75
8	712-0240	Jam Nut, 7/16-20 (Grade 2)
9	712-0262	Jam Nut, 3/8-24
10	712-0431	Flange Lock Nut, 3/8-16
11	712-3004A	Flange Lock Nut, 5/16-18
12	714-0470	Cotter Pin, 1/8 x 1.25
13	717-1757	Steering Segment Gear
14	723-0448A	Ball Joint, 7/16 -20
15	726-0214	Push Cap, .625
16	731-04058	Axle End Cap, w/ Fitting
17	736-0187	Flat Washer, .64 x 1.24 x .060
18	736-0226	Flat Washer, .474 x .879 x .064
19	736-0242	Bell Washer, .34 x .872 x .060
20	736-0356	Bell Washer, .391 x .380 x .062
21	731-04039	Steering Wheel Cap, Small
22	738-0141	Shoulder Screw, .435 x .350, 5/16-18
23	738-0527	Shoulder Screw, .498 x 2.045
24	738-0919	Steering Shaft, 21.86
25	741-0475	Plastic Bushing, .38 ID
26	741-0487A	Flange Bushing, .632 ID
27	741-0656	Hex Flange Bearing, 5/8
28	747-04057	Tie Rod, Adjustable
29	747-1268A	Steering Drag Link, 7/16-20
30	748-0389	Cap, 1.25 x .16
31	748-04014A	Steering Arm
32	748-04020	Spacer, 1.0 x .645 x .56
33	750-0535	Spacer, .380 x .625 x .21
34	783-0041A	Pivot Bar Bracket
35	631-04028	Steering Wheel, Three Spoke
36	731-0954	Steering Bellow, 4.75"
37	711-04059	Ferrule, 3/8-24 x .437 Dia
38	634-0105A	Square Shoulder Wheel Ass'y Complete
39	683-04016	RH Axle Assembly
	683-04015	LH Axle Assembly
40	731-0484A	Hub Cap
41	736-0162	Flat Washer, .64 x 1.0 x .12
42	736-0285	Flat Washer, .635 x 1.589 x .06

	Wheel Ass'y Complete	Rim Assembly	Inner Bearing	Outer Bearing	Tire Only	Air Valve
Square Shoulder	634-0105A	634-0172	741-0706 (Flange w/ Fitting)	741-0487A (Plastic Flange)	734-1731 (15 x 6 x 6)	734-0255

# Models LT 165



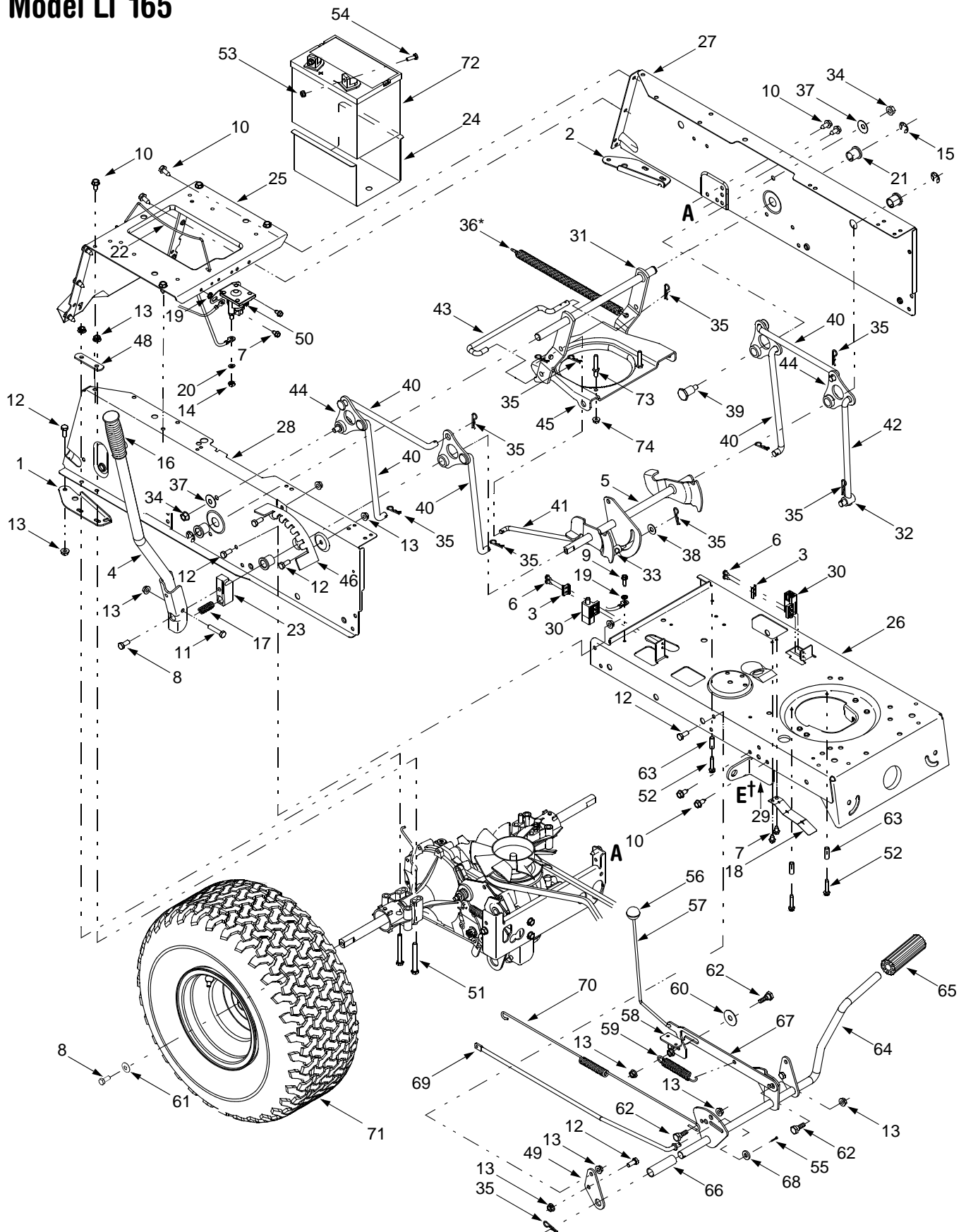
\* Attach the short end of spring to the notch in the rear of Ref. No. 2. Attach the long end to Ref. No. 1.



**Model LT 165**

<b>REF. NO.</b>	<b>PART NO.</b>	<b>DESCRIPTION</b>
1	17239A	Seat Lift Bracket
2	17950A	RH Pivot Support Bracket, Seat
3	17951A	LH Pivot Support Bracket, Seat
4	710-0227	Self-tapping Screw, #8-18 x .50
5	710-0726	Self-tapping Screw, 5/16-12 x .75
6	712-3004A	Flange Lock Nut, 5/16-18
7	725-1303	Outer Seat Spring Switch
8	725-1439	Inner Seat Spring Switch
9	726-0278	Insulator Plate Boss
10	726-0279	Insulator Plate
11	732-0581B	Extension Spring, .75 x 5.31
12	738-0296	Shoulder Screw, .437 x .286
13	17770G	Running Board
14	17871C	Fender
15	710-0751	Hex Screw, 1/4-20 x .620
16	710-1208	Self-tapping Screw, 5/16-18 x 3.5
17	710-3008	Hex Screw, 5/16-18 x .75
18	712-0429	Nylon Lock Nut, 5/16-18
19	712-3027	Flange Lock Nut, 1/4-20
20	732-0735	Compression Spring, 1.314 x 2.55
21	748-0347A	Spacer
22	783-04139	LH Running Board
23	710-0599	Self-tapping Screw, 1/4-20 x .5
24	731-0405	Snap Bushing, 1/4
25	710-0642	Self-tapping Screw, 1/4-20 x .75
26	726-3054	U-Clip Nut, 1/4-20
27	783-04094	Cover Panel
28	731-04074	Spacer
29	712-0137A	Shoulder Screw, .340 x .285, 1/4- 20
30	783-0607A	Seat Pivot Bracket
31	710-0167	Carriage Screw, 1/4-20 x .50
32	761-0168B	Blade Spindle Brake Assembly
33	735-04009	LH Rubber Foot Pad
34	735-0196	RH Rubber Foot Pad
35	736-0204	Flat Washer, .344 x .62
36	757-0363A	Low Back Seat, Black
37	726-3046	Ratchet Clip, .250 Dia
38	783-0753	Seat Select Bracket
39	783-0609	Seat Adjustment Lever
40	731-1734	Speed Index Bracket
41	726-0320	Insulator Nut Plate
42	725-1713	Spring Switch
43	725-1399	Wire Extension, Reverse
44	736-0175	Spring Washer
45	736-3019	Flat Washer, .531 x 1.062 x .134
46	738-0966	Shoulder Screw, .50 x .925, 3/8-16
47	783-0611	Seat Stop
48	710-1268	Screw, #10-16 x .375
49	732-0499	Compression Spring
50	720-0309A	Grip

# Model LT 165



\* Attach the rear end of spring (Ref. 36) to the notch opening in the rear of Ref. 25.

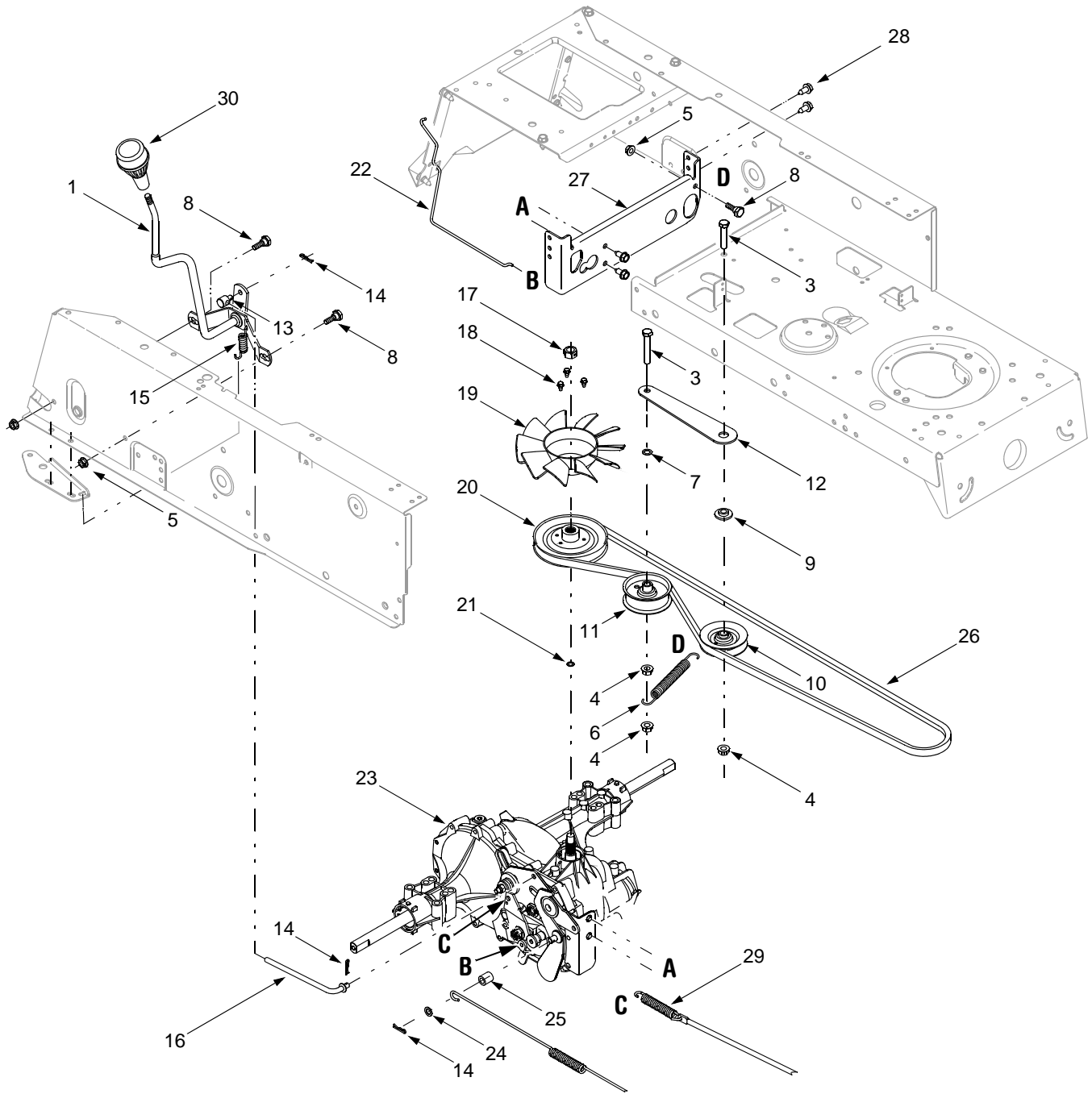
† Refer to E on Page 12

## Model LT 165

REF. NO.	PART NO.	DESCRIPTION	REF. NO.	PART NO.	DESCRIPTION
1	17668A	RH Axle Support Bracket	38	736-0267	Flat Washer, .385 x .87 x .060
2	17669A	LH Axle Support Bracket	39	738-0445A	Shoulder Bolt, 3/8-16 x .62 x .92
3	17962	Switch Plate	40	747-04018	Deck Hanger Link
4	683-04025	Lift Handle Assembly	41	747-04040A	Deck Disengagement Rod
5	683-04049	Lift Shaft Assembly	42	747-04069	Deck Hanger Link
6	710-0224	Self-tapping Screw, #10-16 x .5	43	747-04115A	Rear Stabilizer Rod
7	710-0599	Self-tapping Screw, 1/4-20 x .5	44	748-04010	Lift Link
8	710-0627	Hex Cap Screw, 5/16-24 x .75	45	783-04093	Deck Stabilizer Bracket
9	710-0642	Self-tapping Screw, 1/4-20 x .75	46	783-04113	Deck Lift Index Bracket
10	710-0726	Self-tapping Screw, 5/16-12 x .75	47	17630A	Shift Lever Retainer
11	710-0805	Hex Cap Screw, 5/16-18 x 1.5	48	17840	Transaxle Mounting Bracket
12	710-3008	Hex Screw, 5/16-18 x .75	49	17860	Pedal Mounting Bracket
13	712-3004A	Flange Lock Nut, 5/16-18	50	725-1426	Solenoid
14	712-3006	Hex Nut, 1/4-20	51	710-0176	Hex Cap Screw, 5/16-18 x 2.75
15	716-0106	E-Ring, .625 Dia Shaft	52	710-0809	Self-tapping Screw, 1/4-20 x 1.25
16	720-0233	Handle Grip	53	712-0271	Hex Sems Nut, 1/4-20
17	732-0369	Compression Spring, .55 x 1.37	54	710-3015	Hex Screw, 1/4-20 x .75
18	732-0750A	Switch Actuator Spring	55	714-0111	Cotter Pin, 1.0
19	736-0222	External Lock Washer, 1/4	56	720-0166	Ball Knob
20	736-0329	Lock Washer, 1/4	57	747-0608B	Brake Lockout Rod
21	741-0487A	Flange Bearing, .632 ID	58	17755A	Bracket
22	747-04031	Battery Hold-down Rod	59	732-0728	Extension Spring, 4.31
23	748-04011	Lift Shaft Connector	60	736-0406	Flat Washer, .442 x 1.38 x .060
24	783-0345	Battery Tray	61	736-0242	Bell Washer, .34 x .872 x .060
25	783-0355C	Hitch Plate	62	738-0296	Shoulder Screw, .437 x .286
26	783-04011	Lower Frame	63	750-0566A	Spacer, .260 x .372 x 1.030
27	783-04031	LH Upper Frame Side Panel	64	683-04005A	Clutch / Brake Pedal Assembly
28	783-04032	RH Upper Frame Side Panel	65	735-0196	Foot Pad, 4.6
29	783-04213	Deck Anti-sway Bracket	66	750-0802	Spacer, .640 x .76 x 2.63
30	725-04039	Screw-mount Interlock Switch	67	783-04164	Brake Lockout Bracket
31	683-04048	Stabilizer Shaft Assembly	68	736-3008	Flat Washer, .344 x .750 x .120
32	711-04036	Ferrule, 1/2-20 x .50	69	732-04032A	Extension Spring, 22.16
33	711-04075	Ferrule, 3/8-24 x .375	70	747-04082	Brake Rod
34	712-0431	Flange Lock Nut, 3/8-16	71	634-0104	Square Shoulder Wheel Ass'y Complete
35	714-04023	Internal Cotter Pin, .080 x 1.56	72	725-1706	Battery, 270 CCA
36	732-04097A	Extension Spring, .76 x 13	73	712-3027	Flange Lock Nut, 1/4-20
37	736-0219	Bell Washer, .389 x 1.12 x .030	74	711-0993	Belt Guard Pin, 1/4-20

	Wheel Ass'y Complete	Rim Assembly	Tire Only	Air Valve
<b>Square Shoulder</b>	634-0104	634-0070	734-1730 (20 x 8 x 8)	734-0255

# Model LT 165



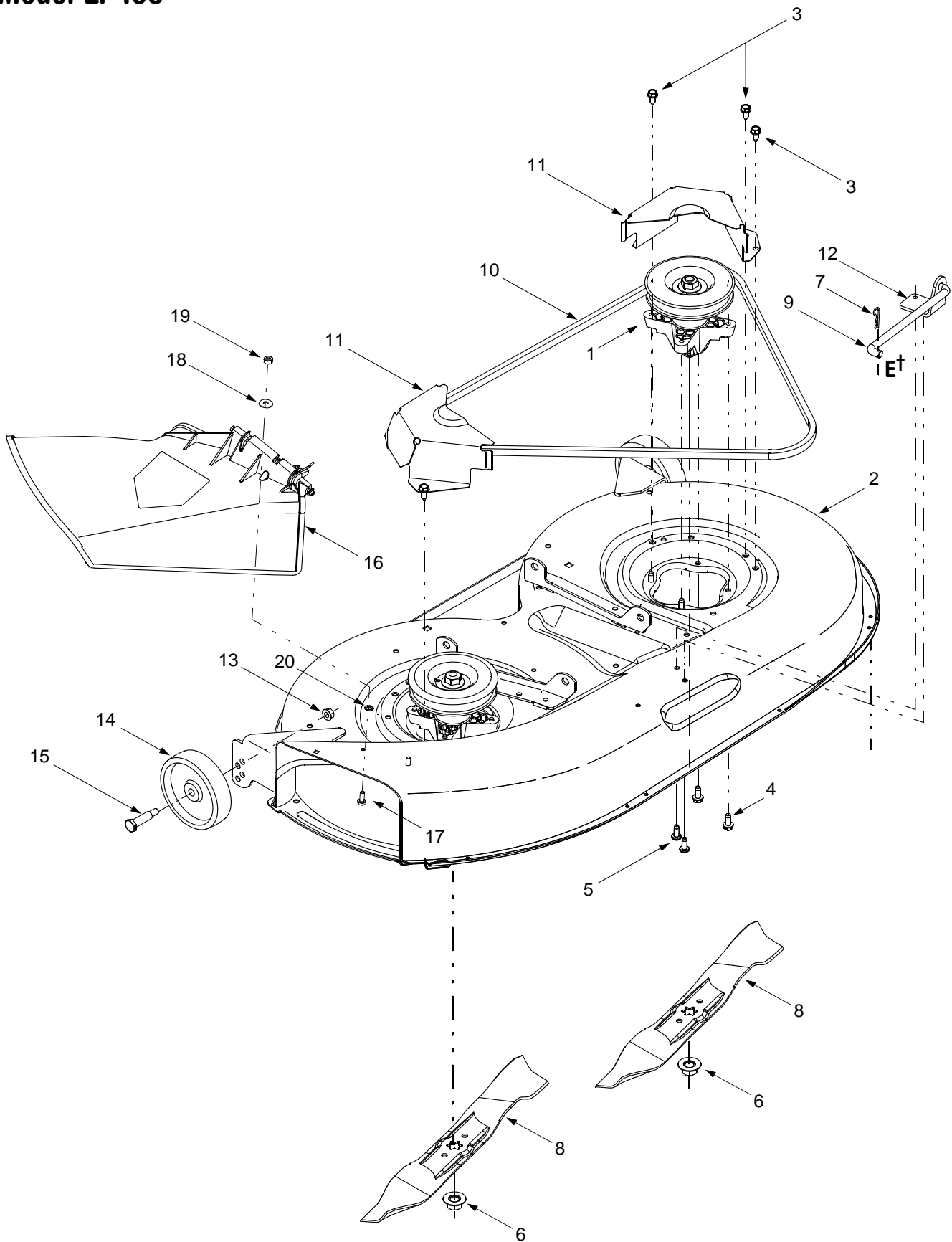
## Model LT 165

REF. NO.	PART NO.	DESCRIPTION
1	710-0437	Hex Screw, 3/8-16 x 1.75
2	710-3008	Hex Screw, 5/16-18 x .75
3	710-3011	Hex Screw, 3/8-16 x 2.25
4	712-0431	Flange Lock Nut, 3/8-16
5	712-3004A	Flange Lock Nut, 5/16-18
6	732-04053	Extension Spring, .62 x 6.38
7	736-0117	Flat Washer, .375 x .62 x .033
8	738-0296	Shoulder Screw, .437 x .286
9	738-0347	Shoulder Spacer, .625 x 1.16
10	756-0116	V-Type Idler Pulley, 3.06
11	756-0981A	Flat Idler Pulley, 2.75
12	783-04165	Idler Bracket
13	711-0677	Ferrule, 5/16-18 x .312
14	714-0104	Cotter Pin
15	732-0568	Extension Spring, .50 x 2.54
16	747-04052	Hydrostatic Control Rod
17	712-0239	Hex Lock Nut, 1/2-20
18	710-3007	Screw, #12-24 x .375
19	731-1449A	Fan Blade, 10
20	756-1166	Transmission Pulley, 5.0
21	732-0729	Ring Wire
22	747-1277B	Hydrostatic Bypass Rod
23	618-04027	Hydrostatic Transmission
24	736-0140	Flat Washer, .385 x .62 x .063
25	750-0807	Spacer, .385 x .625 x .700
26	754-0338	Belt
27	783-0810A	Transmission Torque Bracket
28	710-0726	Self-tapping Screw, 5/16-12 x .75
29	732-0716	Extension Spring, .59 x 4.0
30	720-0218	Knob

**NOTE:** For **painted parts**, refer to the list of color codes below. Please add the applicable color code, wherever needed, to the part number to order a replacement part. For instance, if a part, numbered 700-xxxx, is painted Oyster Gray, the part number to order would be 700-xxxx-0662.

Oyster Gray: 0662  
 Powder Black: 0637  
 Red Metallic: 0650

# Model LT 165



† Refer to E† on Page 8

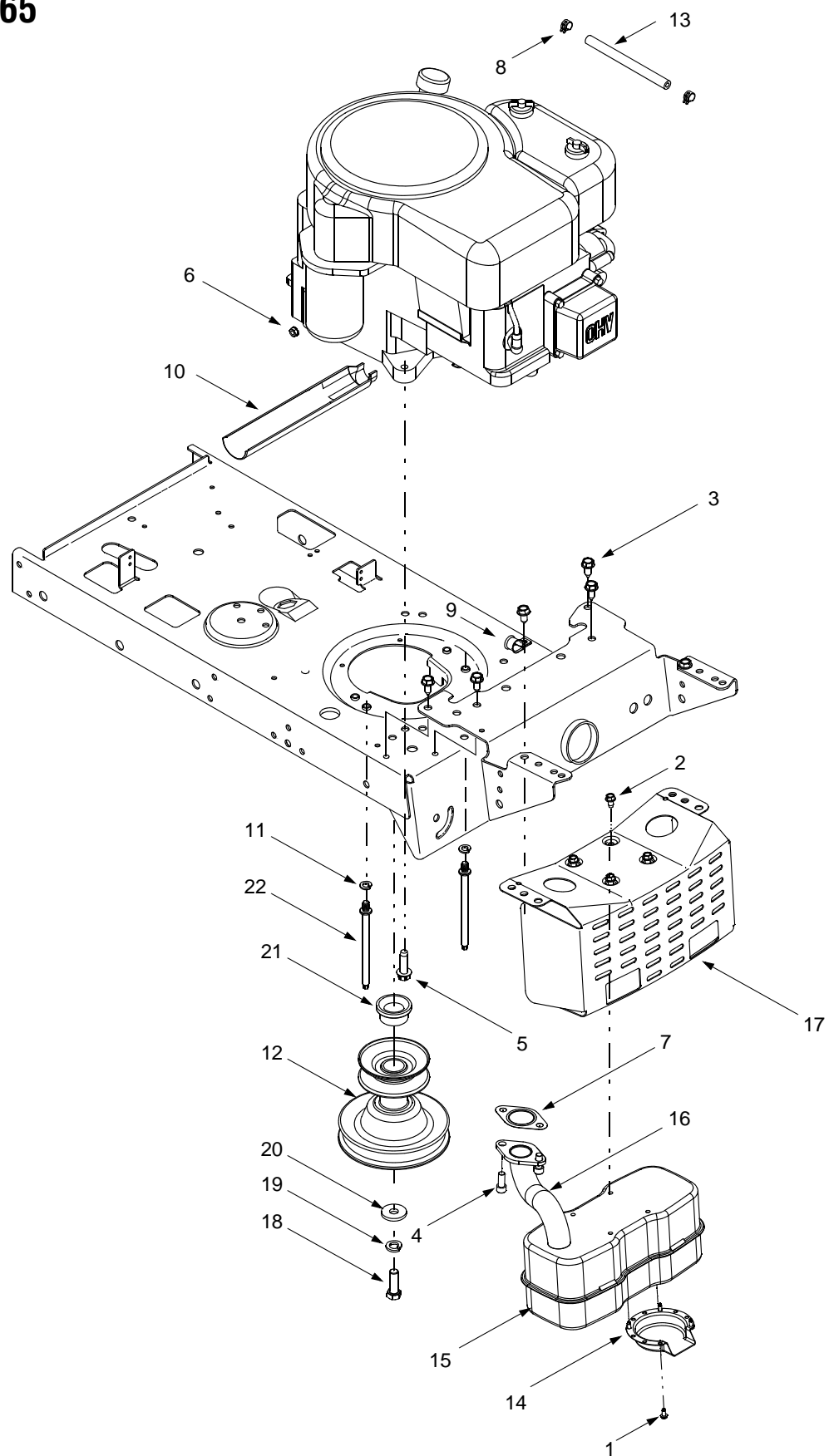
## Model LT 165

REF. NO.	PART NO.	DESCRIPTION
1	618-0142A	Spindle Assembly
2	683-04035A	Deck Shell
3	710-0726	Self-tapping Screw, 5/16-12 x .75
4	710-1260A	Screw, 5/16-18 x .75
5	710-1611B	Self-tapping Screw, 5/16-18 x .75
6	712-0417A	Hex Flange Nut, 5/8-18
7	714-04023	Internal Cotter Pin, .080 x 1.56
8	742-0616A	Blade, 21.23"
9	747-04018	Deck Hanger Link/Anti-sway Rod
10	754-0371A	Deck Belt
11	783-04149A	Belt Cover
12	783-04211	Anti-sway Stabilizer Bracket
13	712-0431	Flange Lock Nut, 3/8-16
14	734-0973	Deck Wheel, 5 x 1.38
15	738-0373	Shoulder Screw, .498 x 1.53
16	731-1032	Discharge Chute Assembly
17	710-0751	Hex Cap Screw: 1/4-20 x .620
18	736-0270	Bell Washer, .265 x .75 x .062
19	712-3006	Hex Nut, 1/4-20
20	726-0233	Push Nut, 1/4

**IMPORTANT:** For a proper working machine, use Factory Approved Parts. **V-belts** are designed to engage and disengage safely. A substitute (non OEM) V-belt can be dangerous by not disengaging completely.

**NOTE:** For **painted parts**, refer to the list of color codes below. Please add the applicable color code, wherever needed, to the part number to order a replacement part. For instance, if a part, numbered 700-xxxx, is painted Oyster Gray, the part number to order would be 700-xxxx-0662.  
 Oyster Gray: 0662  
 Powder Black: 0637  
 Red Metallic: 0650

# Model LT 165

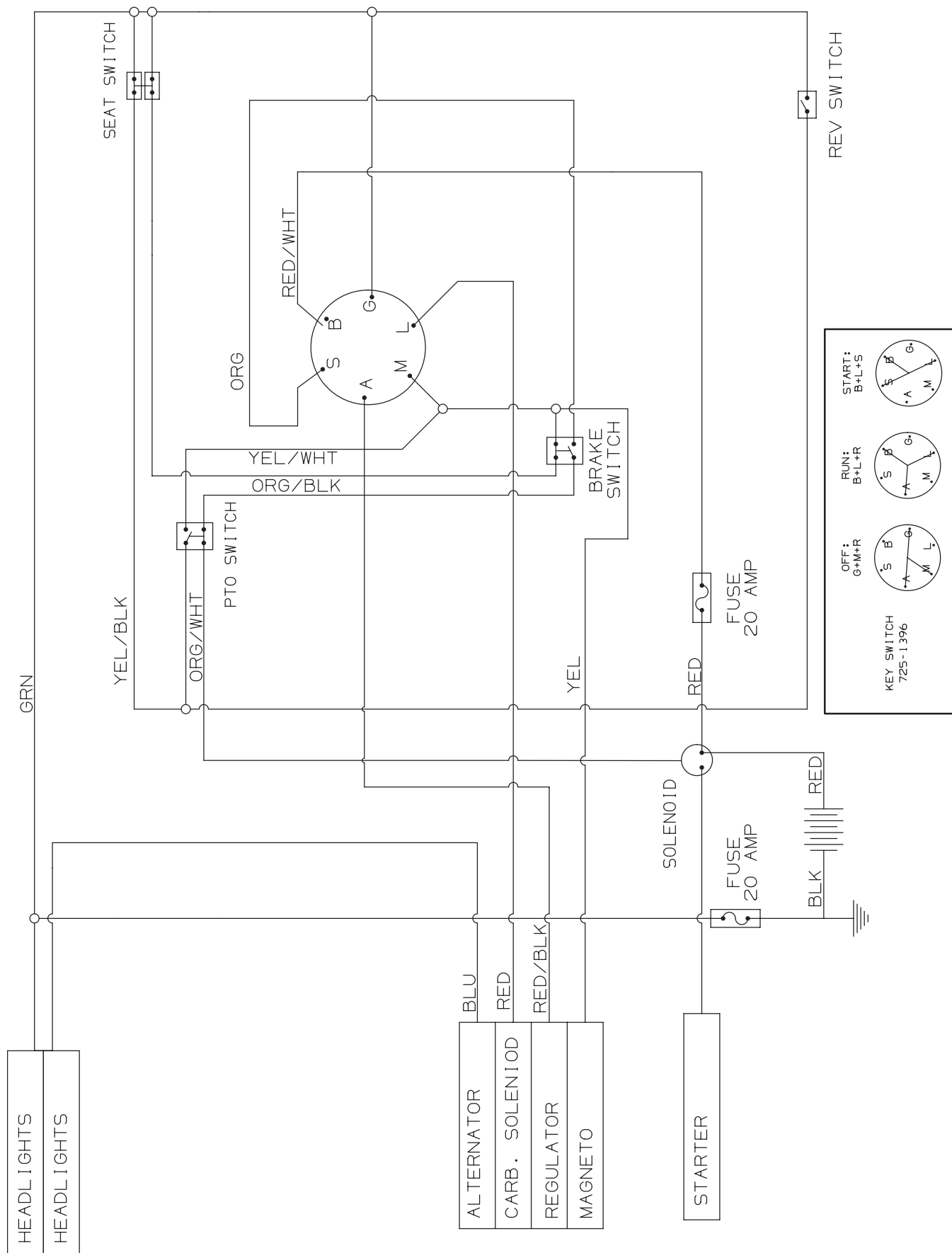




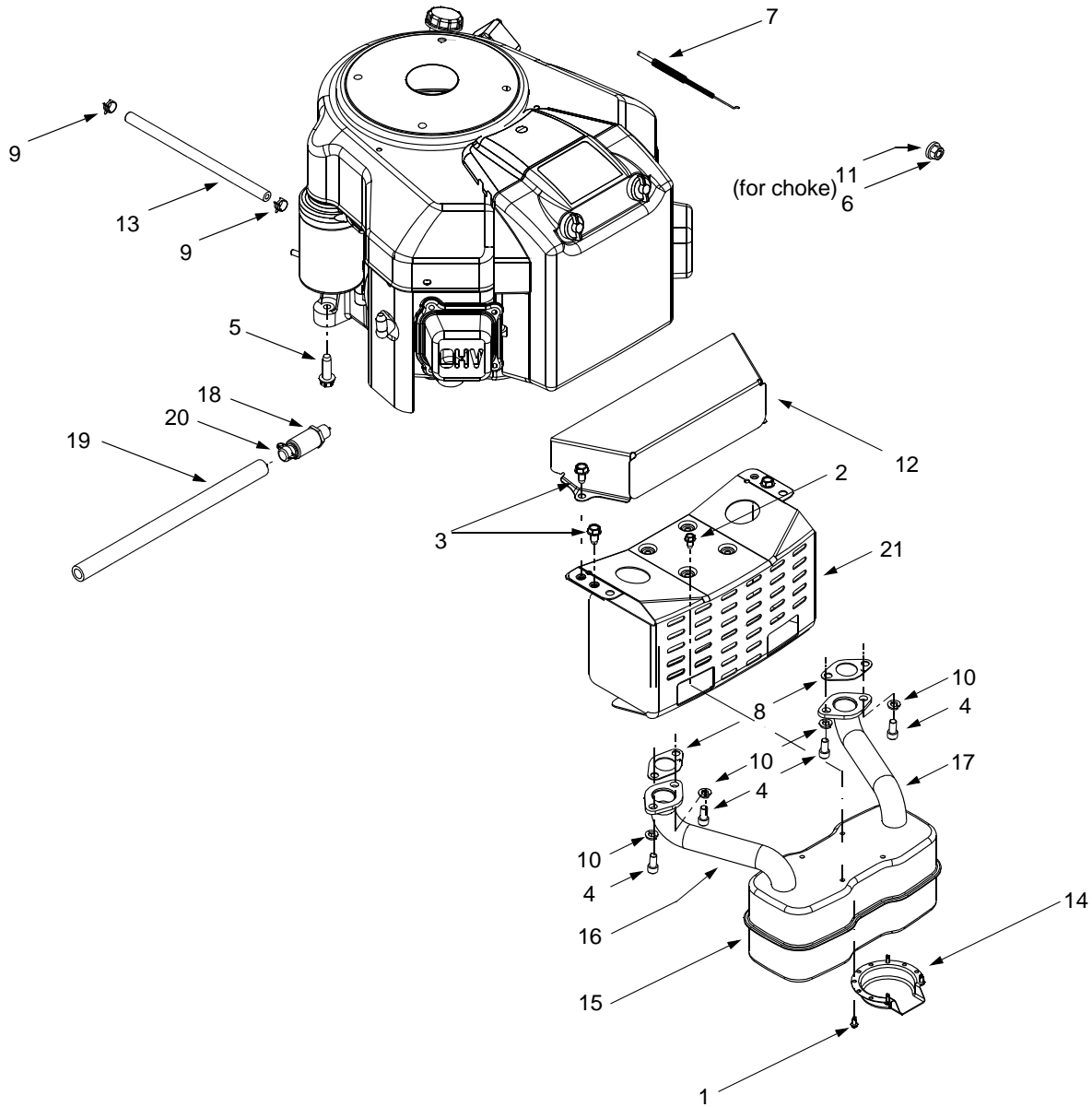
## Model LT 165

REF. NO.	PART NO.	DESCRIPTION
1	710-0148	Screw, #8-32 x .375
2	710-0599	Self-tapping Screw, 1/4-20 x .5
3	710-0726	Self-tapping Screw, 5/16-12 x .75
4	710-1314A	Socket Cap Screw, 5/16-18 x .625
5	710-1315	Self-tapping Screw, 3/8-16 x 1.25
6	712-0271	Hex Sems Nut, 1/4-20
7	721-0348	Exhaust Gasket
8	726-0205	Hose Clamp, .490
9	726-0272	Clamp, 9/16
10	731-1682A	Oil Drain Sleeve
11	736-0119	Lock Washer, 5/16
12	756-04011	Engine Pulley, 3.56 x 5.56
13	751-0535	Fuel Line Hose
14	751-0564	Muffler Deflector
15	751-0617	Muffer, Single Inlet
16	751-0620	Exhaust Pipe
17	783-0615B	Muffler Heat Shield
18	710-3029	Hex Screw, 7/16-20 x 1.25
19	736-0171	Lock Washer, 7/16
20	736-0322	Flat Washer, .450 x 1.25 x .164
21	750-0956	Spacer, 1.0 x 1.4 x .825
22	711-1044	Belt Keeper Pin, 5/16 x 4.75

# Model LT 165

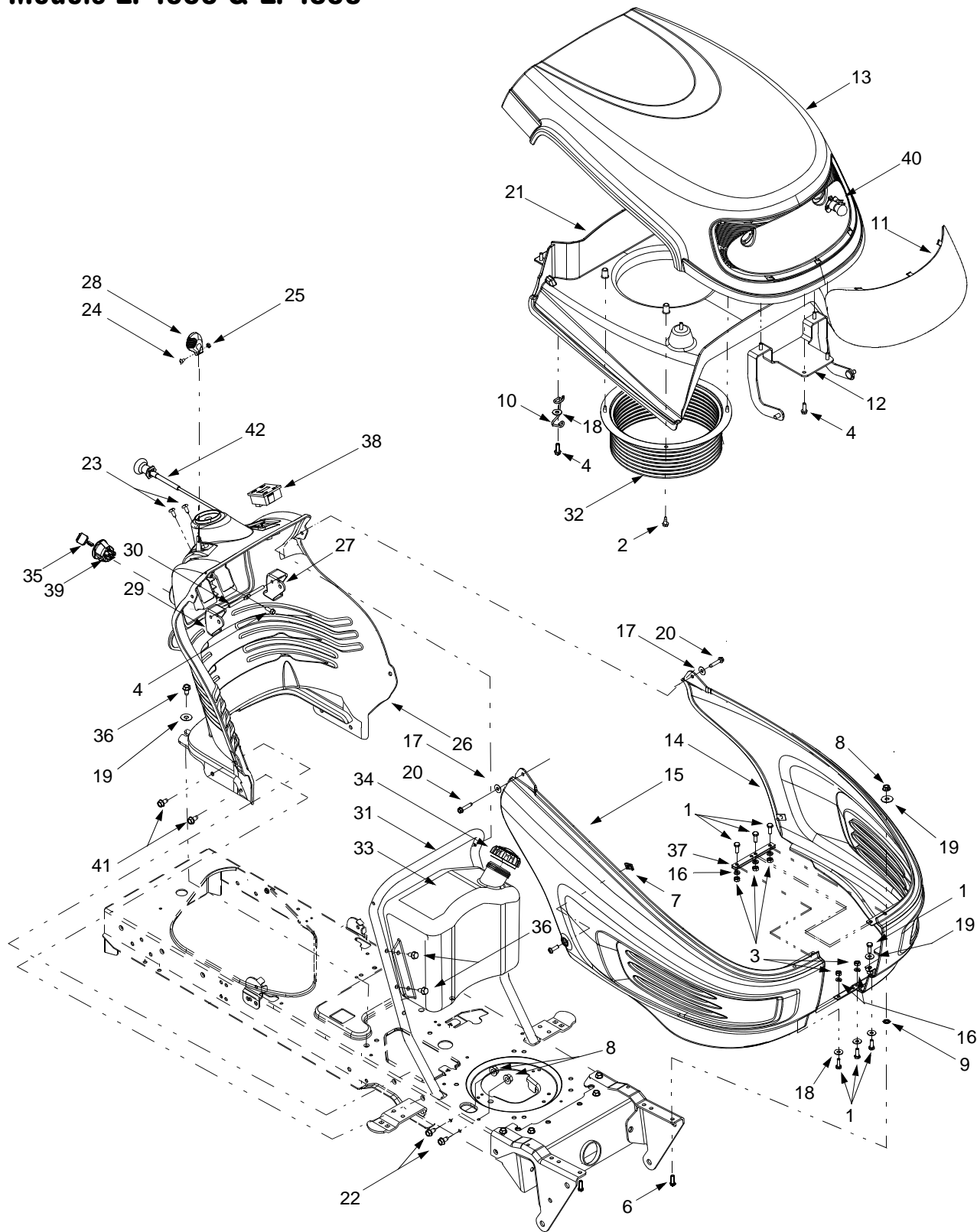


## Models LT-1650 & LT-1850



REF. NO.	PART NO.	DESCRIPTION	REF. NO.	PART NO.	DESCRIPTION
1	710-0227	Screw, #8-18 x .5	12	783-0625C	Engine Heat Shield
2	710-0599	Self-tapping Screw, 1/4-20 x .5	13	751-0535	Fuel Line Hose
3	710-0726	Self-tapping Screw, 5/16-12 x .75	14	751-0564	Muffler Deflector
4	710-1314A	Socket Cap Screw, 5/16-18 x .625	15	751-0616	Muffler, Twin Inlet
5	710-1315	Self-tapping Screw, 3/8-16 x 1.25	16	751-0814	RH Exhaust Pipe
6	712-3017	Hex Nut, 3/8-16	17	751-0813	LH Exhaust Pipe
7	746-1086	Throttle Cable	18	751-3140	Oil Drain Valve
8	721-0460	Exhaust Gasket	19	751-3141	Oil Drain Hose
9	726-0205	Hose Clamp	20	751-3142	Oil Drain Cap
10	736-0119	Lock Washer, 5/16	21	783-0615B	Muffler Heat Shield
11	736-0300	Lock Washer, .406 x .875 x .059			

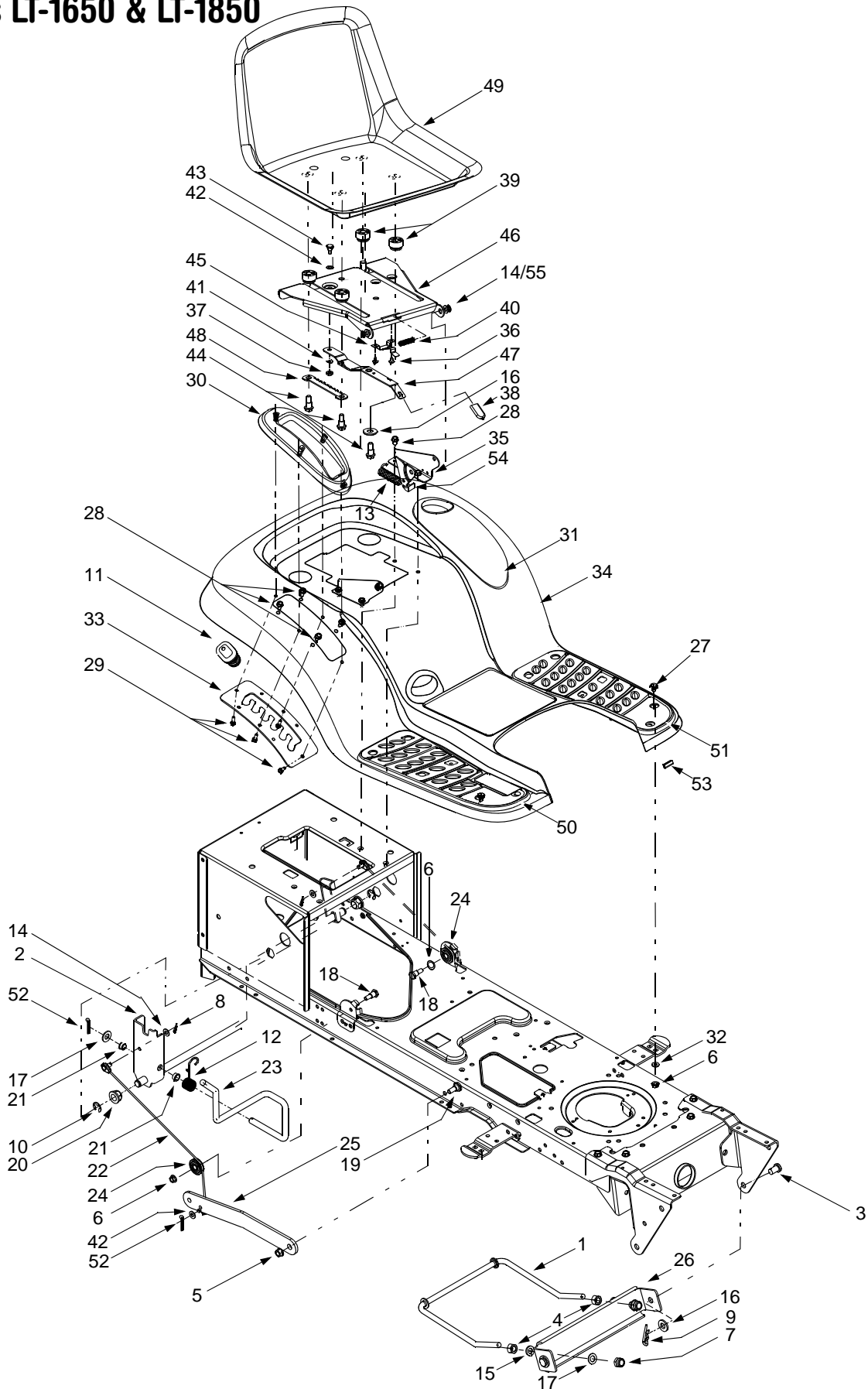
# Models LT-1650 & LT-1850



**Models LT-1650 & LT-1850**

<b>REF. NO.</b>	<b>PART NO.</b>	<b>DESCRIPTION</b>
1	710-3015	Hex Cap Screw, 1/4-20 x .75
2	710-0599	Self-tapping Screw, 1/4-20 x .5
3	712-3006	Hex Nut, 1/4-20
4	710-0895	Self-tapping Screw, 1/4-15 x .75
5	710-0924	Pan Phillips Screw, 1/4-20 x .75
6	710-0376	Hex Cap Screw, 5/16-18 x 1.0
7	712-0292	U-type Speed Nut, 1/4-20
8	712-3004A	Flange Lock Nut, 5/16-18
9	726-0201	Speed Nut
10	747-2127	Hood Latch Rod
11	731-2286	Head Light Lens
12	683-0305	Hood Bracket Assembly
13	731-2283A	Hood
14	731-2327A	LH Side Panel
15	731-2328A	RH Side Panel
16	736-0329	Lock Washer, 1/4
17	736-0342	Flat Washer, .283 x .75 x .030
18	736-0173	Flat Washer, .28 x .74 x .063
19	736-3078	Flat Washer, .349 x 1.0 x .063
20	710-0809	Self-tapping Screw, 1/4-20 x 1.25
21	731-2284	Hood Plenum
22	710-0604A	Self-tapping Screw, 5/16-18 x .625
23	710-1017	Torx Self-tapping Screw, 1/4-14 x .625
24	710-3217	Torx Screw, #8-32 x .375
25	712-0142	Hex Nut, 8-32
26	631-04035	Dash Panel, 4-style w/ Cargo Net (LT-1650)
	631-04036	Dash Panel, 4-style w/ Cargo Net (LT-1850)
27	731-0072	Parking Brake Button
28	731-1857	Throttle Control Lever
29	731-2106	Cruise Control Button
30	747-1155	Brake/Cruise Pivot Rod
31	749-1087A	Dash Support Tube
32	731-2232	Intake Bellow (LT-1650)
	731-2234	Intake Bellow (LT-1850)
33	751-0658D	Fuel Tank, 3-gallon
34	751-0603	Fuel Cap
35	725-1745	Ignition Key w/ plastic cover
	725-1744	Ignition Key w/o plastic cover
36	710-0726	Self-tapping Screw, 5/16-18 x .75
37	783-1000A	Grille Support Bracket
38	725-04036	Systems Indicator Monitor, Curved Face
39	725-1741	Ignition Switch
40	625-0051	Headlight Assembly
41	710-1611B	Self-tapping Screw, 5/16-18 x .75
42	746-1085	Choke Control
—	629-0469B	Headlight Wire Harness
—	629-1071	Tractor Wire Harness (LT-1650)
—	629-1067	Tractor Wire Harness (LT-1850)

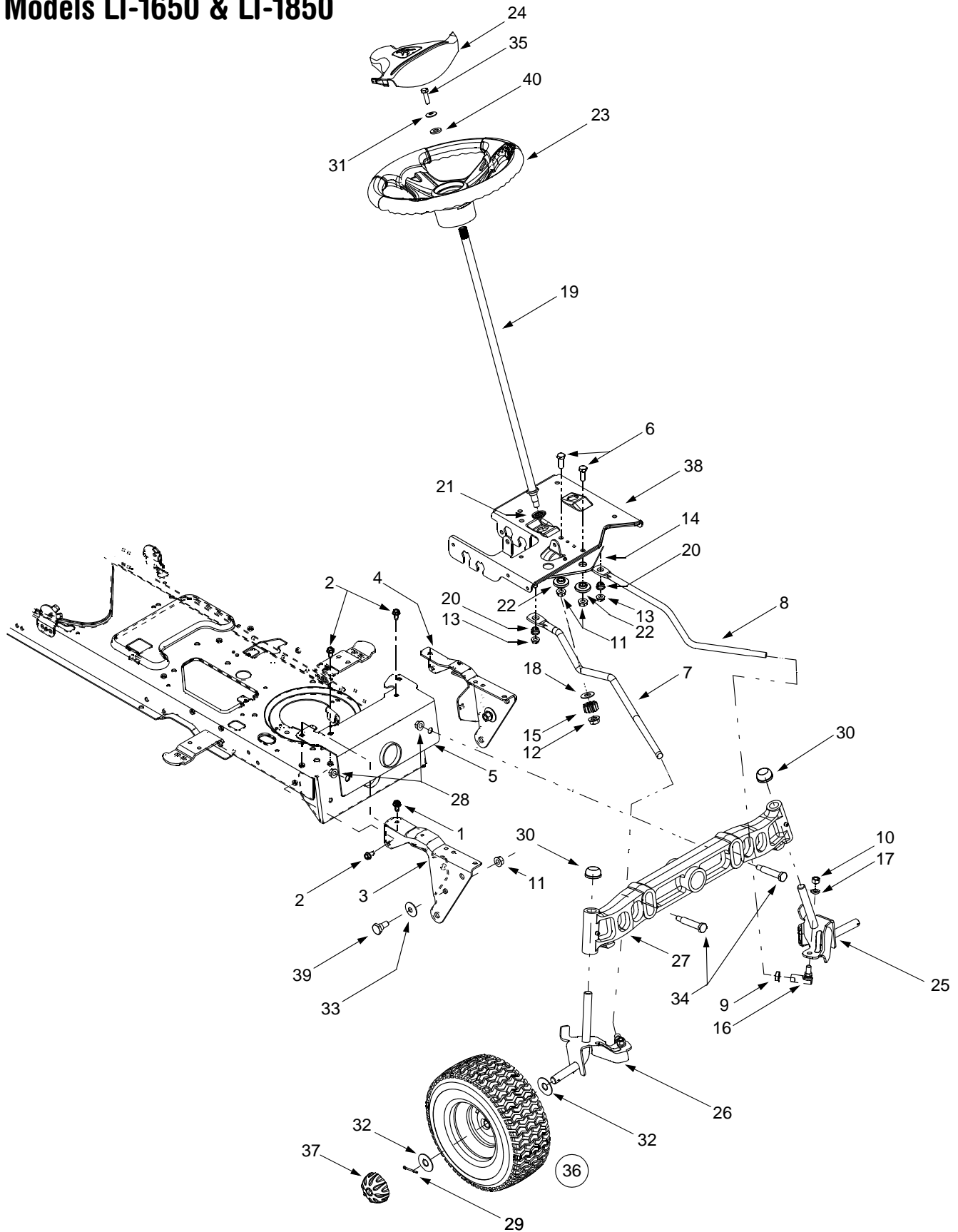
# Models LT-1650 & LT-1850



**Model LT-1650 & LT-1850**

REF. NO.	PART NO.	DESCRIPTION
1	747-1130B	Deck Stabilizer Rod
2	683-0197B	Lift Shaft Assembly
3	711-0332	Clevis Pin, .5 x .78
4	712-0206	Hex Nut, 1/2-13
5	712-0431	Flange Lock Nut, 3/8-16
6	712-3004A	Flange Lock Nut, 5/16-18
7	712-3083	Hex Nut, 1/2-13
8	714-0104	Internal Cotter Pin
9	714-0145	Internal Cotter Pin
10	716-0106	E-ring
11	720-0311	Handle Grip
12	732-0874	Torsion Spring
13	732-1027	Extension Spring, .872 x 3.4
14	736-0275	Flat Washer, 5/16
15	736-0921	Lock Washer, 1/2
16	736-3019	Flat Washer, .31 x 1.062 x .134
17	736-3084	Flat Washer, .51 x 1.12 x .06
18	738-0138A	Hex Cap Screw, 5/16-18 x .62
19	738-0143	Shoulder Screw, 3/8-16
20	741-0225	Hex Flange Bearing
21	741-0715	Snap Flange Bearing
22	746-0968	Lift Cable, 16.16 (LT-1650)
	746-1144	Lift Cable, 15.62 (LT-1850)
23	747-1111A	Lift Handle
24	756-1154	Roller Pulley
25	783-0678A	Arm Lift
26	783-0720A	Deck Stabilizer Bracket
27	710-0260A	Carriage Bolt, 5/16 x .62
28	710-0604A	Self-tapping Screw, 5/16-18 x .625
29	710-0895	Self-tapping Screw, 1/4-15 x .75
30	731-1990	Lift Lever Cover
31	731-1993	Cover w/ Cup Holder
32	736-3078	Flat Washer, .349 x 1.0 x .063
33	783-0677	Lift Adjustment Bracket
34	783-1279	Fender
35	783-1489	Seat Mounting Bracket
36	710-1268	Screw, #10-16 x .375
37	712-3027	Hex Flange Lock Nut, 1/4-20
38	720-0309A	Seat Adjuster Grip
39	731-04074	Spacer
40	732-0499	Compression Spring, .41 x 1.5
41	736-0175	Spring Washer, .265 x .562 x .025
42	736-0204	Flat Washer, .344 x .62 x .03
43	738-0137A	Shoulder Screw, .340 x .285, 1/4-20
44	738-1007	Shoulder Screw, .50 x .50, 3/8-16
45	783-0611	Seat Stop
46	783-0738	Seat Pivot Bracket
47	783-0739	Seat Adjustment Lever
48	783-0753	Seat Adjustment Selector
49	757-04014	Medium Back Seat, Black
50	735-0656	RH Foot Pad
51	735-0657	LH Foot Pad
	726-3046	Foot Pad Clips (Not Shown)
52	714-0111	Cotter Pin
53	731-0511	Trim Strip
54	783-0209	Seat Lift Bracket
55	726-0201	Speed Clip

# Models LT-1650 & LT-1850

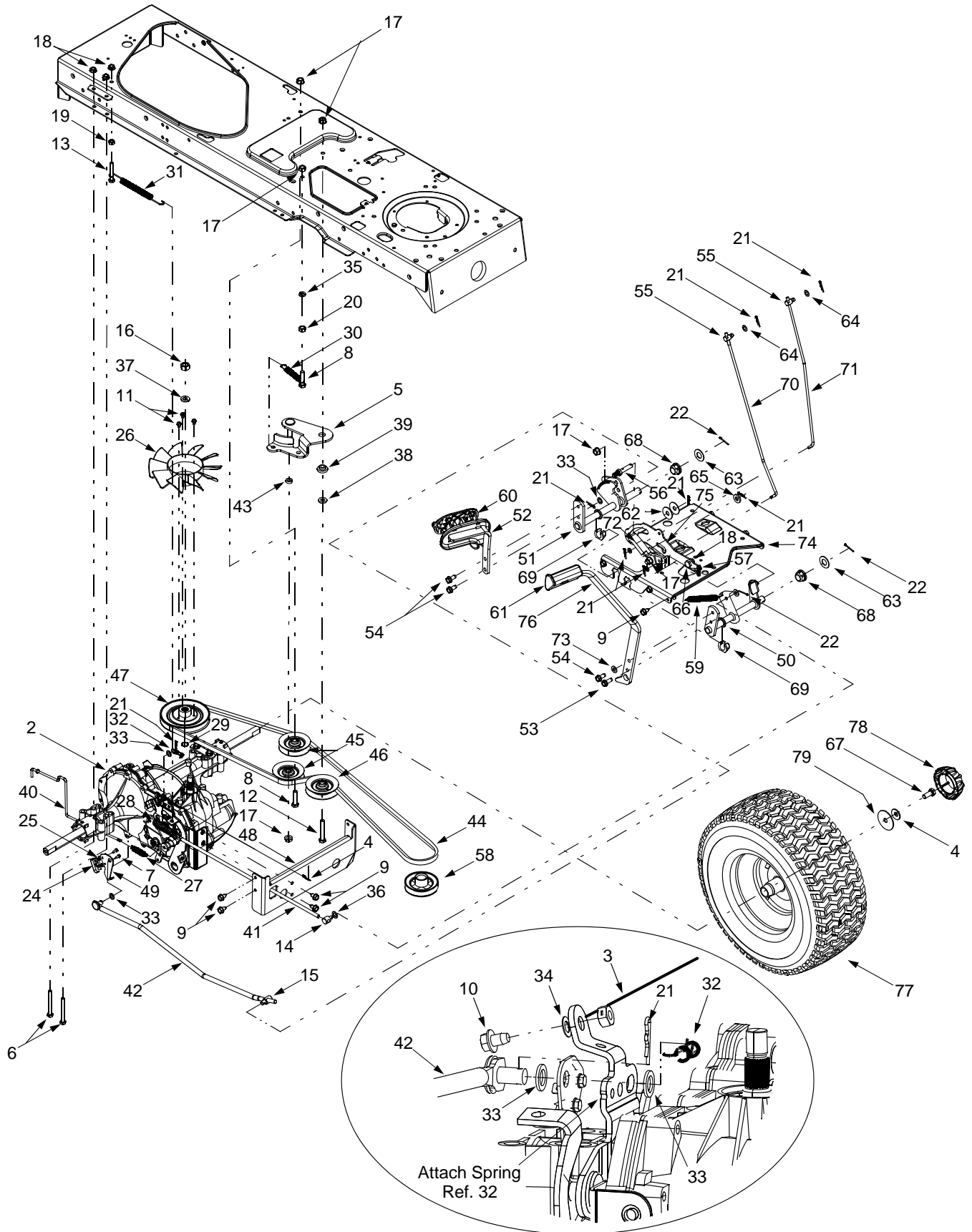




**Models LT-1650 & LT-1850**

<b>REF. NO.</b>	<b>PART NO.</b>	<b>DESCRIPTION</b>
1	710-1260A	Self-tapping Screw, 5/16-18 x .75
2	710-0604A	Self-tapping Screw, 16-18 x .625
3	783-0726B	RH Pivot Support Bracket
4	783-0727A	LH Pivot Support Bracket
5	783-0728	Pivot Bar Bracket
6	710-0514	Hex Cap Screw, 3/8-16 x 1 (Grade 5)
7	711-1408	RH Drag Link
8	711-1409A	LH Drag Link
9	712-0240	Jam Nut, 7/16-20 (Grade 2)
10	712-0241	Hex Nut, 3/8-24 (Grade 2)
11	712-0431	Flange Lock Nut, 3/8-16
12	712-0459	Flange Lock Nut, 7/16-20
13	712-3004A	Flange Lock Nut, 5/16-18
14	717-1550D	Steering Gear, 11/90 Ratio
15	717-1554	Steering Pinion Gear
16	723-0448A	Ball Joint, 7/16-20
17	736-0169	Lock Washer, 3/8
18	736-3084	Flat Washer, .51 x 1.12 x .06
19	738-1001A	Steering Shaft, .625 OD x 24.4
20	741-0475	Plastic Bushing, .38 ID
21	741-0656	Hex Flange Bearing, 5/8
22	738-0372B	Shoulder Spacer, .38 ID
23	631-04008	Steering Wheel, Soft Grip, Three Spoke
24	731-04065	Steering Wheel Cover
25	638-0019A	LH Axle Assembly, .625 Dia. (Model LT-1650)
	638-0021	LH Axle Assembly .625 / .750 Dia. (Model LT-1850)
26	638-0020A	RH Axle Assembly, .625 Dia. (Model LT-1650)
	638-0022	RH Axle Assembly .625 / .750 Dia. (Model LT-1850)
27	719-0399B	Cast Iron Pivot Bar w/ Fittings, .625 (Model LT-1650)
	719-0525B	Cast Iron Pivot Bar w/ Fittings, .75 (Model LT-1850)
28	712-0431	Flange Lock Nut, 3/8-16
29	714-0162	Cotter Pin
30	726-0214	Push Cap, .625 (Model LT-1650)
	726-0341	Push Cap, .750 (Model LT-1850)
31	736-0242	Bell Washer, .34 x .872
32	736-0285	Flat Washer, .635 x 1.589 x .06
33	736-0331	Bell Washer, .39 x 1.13 x .062
34	738-1011	Shoulder Screw, .5 x 2.2, 3/8-16
35	710-0643	Hex Bolt, 5/16-18 X 1
36	634-0115	Wheel Assembly Complete, 15 x 6 x 6
—	634-0051	Rim Only
—	734-0255	Air Valve (Not Shown)
—	734-1731	Tire Only, Square Shoulder
—	737-0280	Grease Fitting (Not Shown)
—	741-0569	Ball Bearing (Not Shown)
37	734-2290A	Hub Cap
38	783-0653F	Steering Support Bracket
39	738-0143	Shoulder Screw, 3/8-16
40	736-3004	Flat Washer, .406 x .875 x .105

# Models LT-1650 & LT-1850



## Models LT-1650 & LT-1850

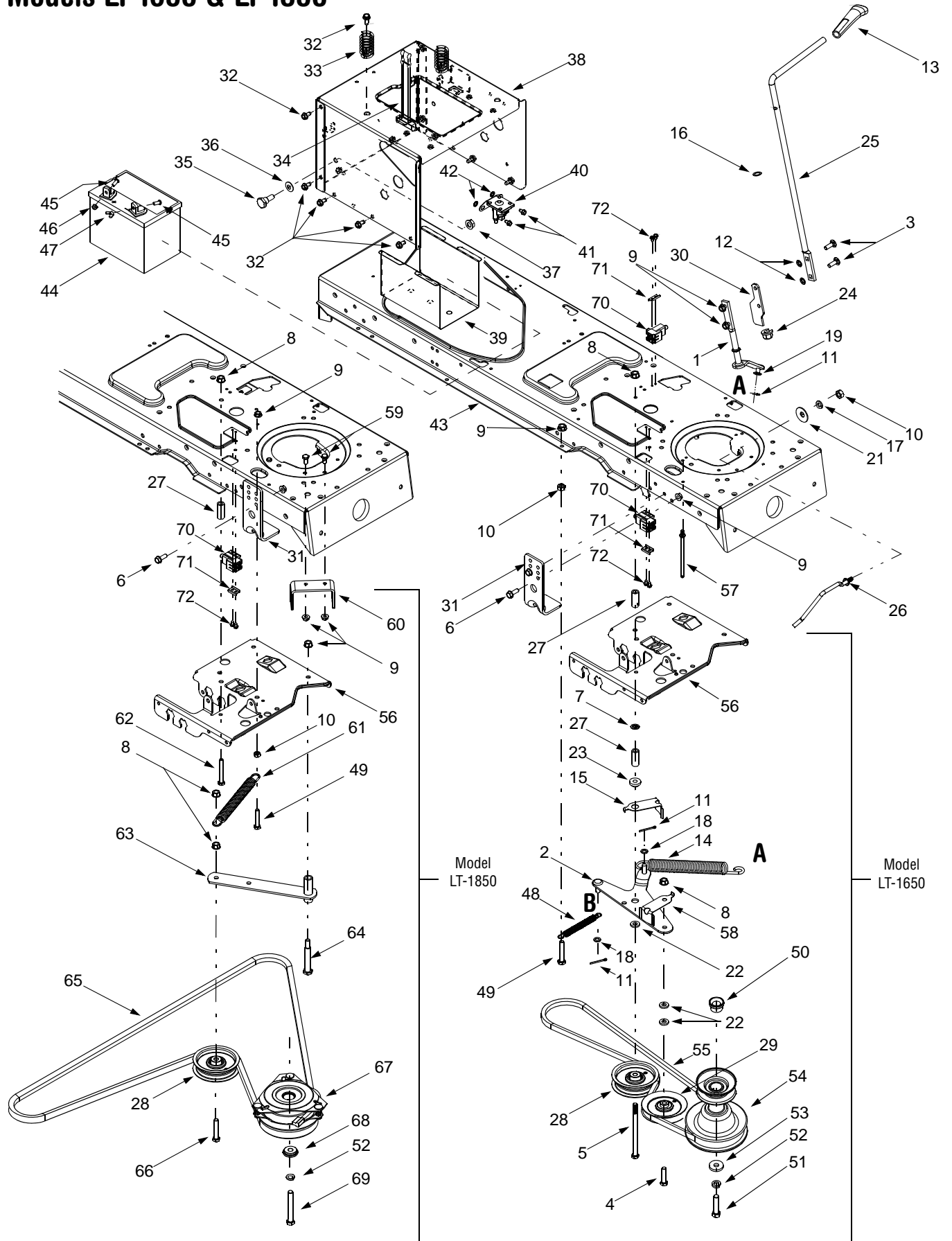
REF. NO.	PART NO.	DESCRIPTION	REF. NO.	PART NO.	DESCRIPTION
1	17840	Transaxle Mounting Bracket	44	754-0349	Drive Belt
2	618-0319	Hydrostatic Transmission	45	756-0116	V-idler Pulley, 3.06
3	629-0949A	Reverse Wire Harness Adapter & Ground	46	756-0981A	Flat Idler Pulley, 2.75
4	736-0242	Bell Washer, .34 x .872	47	756-1166	Input Pulley, 5.0
5	683-0251	Double Idler Bracket Assembly	48	783-0810	Transmission Torque Bracket
6	710-0176	Hex Cap Screw, 5/16-18 x 2.75	49	783-1019	Switch Actuator Bracket
7	710-0227	Screw, #8-18 x .5	50	647-0031B	Brake Control Assembly
8	710-0344	Hex Cap Screw, 3/8-16 x 1.5	51	647-0049	Drive Control Assembly
9	710-0604A	Self-tapping Screw, 5/16-18 x .625	52	683-0267C	Hydro Pedal Assembly
10	710-0599	Self-tapping Screw, 1/4-20 x .5	53	710-0650	Self-tapping Screw, 5/16-18 x .875
11	710-3007	Screw, #12-24 x .375	54	710-1611B	Self-tapping Screw, 5/16-18 x .75
12	710-3011	Hex Cap Screw, 3/8-16 x 2.25	55	711-0736	Ferrule, 1/4-20
13	710-3103	Hex Cap Screw, 5/16-18 x 2.0	56	711-1363	Pin, 3/8-16 x 2.43
14	711-0677	Ferrule, 5/16-18	57	732-0335	Compression Spring, .405 OD x 1.17
15	711-0832	Ferrule, 3/8-24	58	756-0983B	Engine Pulley (LT-1650)
16	712-0333	Hex Nut, 1/2-20		756-0978A	Engine Pulley (LT-1850)
17	712-0431	Flange Lock Nut, 3/8-16	59	732-0963	Extension Spring, .50 OD x 6.37
18	712-3004A	Flange Lock Nut, 5/16-18	60	735-0662	Drive Pedal Pad
19	712-3010	Hex Nut, 5/16-18	61	735-3049	Brake Pedal Pad
20	712-3017	Hex Nut, 3/8-16	62	736-0133	Flat Washer, .411 x 1.25 x 1.0
21	714-0104	Internal Cotter Pin	63	736-0187	Flat Washer, .64 x 1.24 x .06
22	714-0111	Cotter Pin	64	736-0204	Flat Washer, .344 x .062 x .03
23	725-0157	Cable Tie	65	736-3004	Flat Washer, .406 x .875 x .105
24	725-1644	Short Spring Switch	66	738-0155	Shoulder Screw, .437 x 1.62
25	726-0320	Insulator Nut Plate	67	710-0627	Hex Cap Screw, 5/16-24 x .75
26	731-1449A	10-inch Fan	68	741-0225	Hex Flange Bearing
27	732-0209	Extension Spring, .48 x 2.03	69	741-3065B	Split Hex Flange Bearing
28	732-0716	Extension Spring, .59 x 4.0	70	747-1137	Cruise Control Rod
29	732-0729	Wire Ring	71	747-1138	Brake Lock Control Rod
30	732-0429A	Extension Spring, .5 x 3.97	72	748-0413	Cruise Latch
31	732-0994	Extension Spring, .5 x 7.0	73	736-3008	Flat Washer, .344 x .750 x .120
32	732-3118	Extension Spring, 3/8 x 1.44	74	783-0653F	Steering Support Bracket
33	736-0140	Flat Washer, .385 x .62 x .063	75	783-0663C	Drive Lockout Bracket
34	736-0142	Flat Washer, .281 x .50 x .063	76	783-0773	Brake Pedal
35	736-0169	Lock Washer, 3/8	77	634-0104†	Wheel Assembly Complete, 20 x 8 x 8
36	736-0275	Flat Washer, .344 x .688 x .065		634-0177‡	Wheel Assembly Complete, 20 x 10 x 8
37	736-0921	Lock Washer, 1/2		634-0070	Rim Assembly Only
38	736-3010	Flat Washer, .407 x .812 x .135		734-0255	Air Valve (Not Shown)
39	738-0372B	Shoulder Spacer, .38		734-1730†	Tire Only, 20 x 8 x 8, Square Shoulder
40	747-1149	Hydrostatic Bypass Rod		734-1873‡	Tire Only, 20 x 10 x 8, Square Shoulder
41	747-1150	Hydrostatic Brake Rod	78	734-2290A	Deluxe Hub Cap
42	747-1151	Hydrostatic Control Rod	79	736-0430	Flat Washer, .350 x 1.59 x .062
43	750-0535	Spacer, .376 x .625 x .22			

† LT-1650  
‡ LT-1850

**IMPORTANT:** For a proper working machine, use Factory Approved Parts. **V-belts** are designed to engage and disengage safely. A substitute (non OEM) V-belt can be dangerous by not disengaging completely.

**NOTE:** For **painted parts**, please refer to the list of color codes below. Please add the applicable color code, wherever needed, to the part number to order a replacement part. For instance, if a part, numbered 700-xxxx, is painted Oyster Gray, the part number to order would be 700-xxxx-0662.  
Oyster Gray: 0662  
Powder Black: 0637  
Red Metallic: 0650

# Models LT-1650 & LT-1850



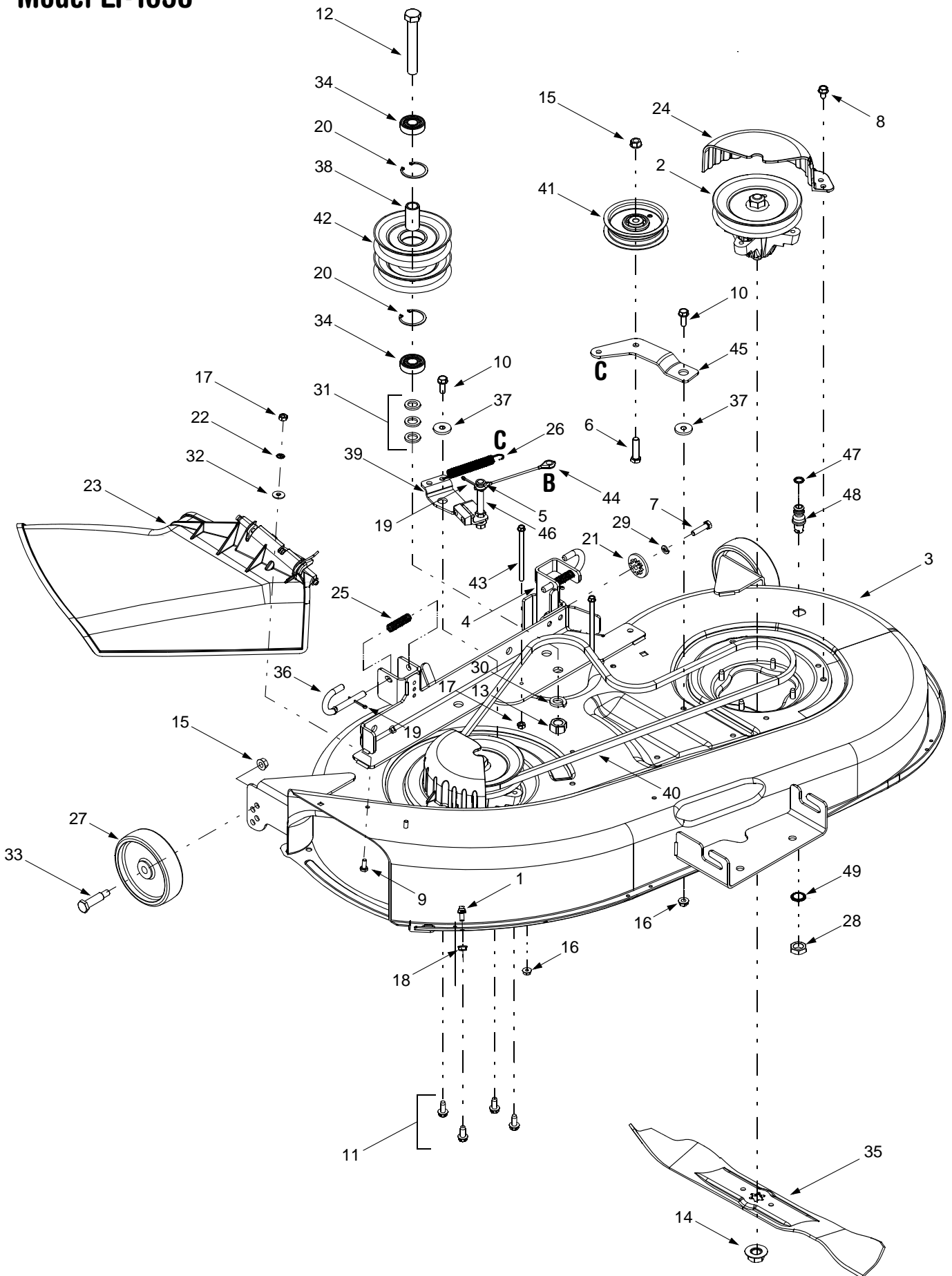
## Models LT-1650 & LT-1850

REF. NO.	PART NO.	DESCRIPTION	REF. NO.	PART NO.	DESCRIPTION
1	647-0064	PTO Engage Lever Assembly	37	712-0459	Flange Lock Nut, 7/16-20
2	683-0450	PTO Engage Plate Assembly	38	783-1031A	Hitch Plate
3	710-0276	Carriage Screw, 5/16-18 x 1.00	39	783-0349	Battery Tray
4	710-0520	Hex Cap Screw, 3/8-16 x 1.5	40	725-1426	Solenoid, 12-Volt, 100 Amp
5	710-0831	Hex Cap Screw, 3/8-16 x 5.5	41	710-0599	Self Tapping Screw, 1/4-20 x .5
6	710-1238	Hex Head Washer Screw, 5/16-18 x .875	42	736-0222	Lock Washer, 1/4
7	712-0229	Push Nut, 3/8	43	683-0304B	Lower Frame Assembly
8	712-0431	Flange Lock Nut, 3/8-16	44	725-1706	12-volt Battery, 270 CCA
9	712-3004A	Flange Lock Nut, 5/16-18	45	710-0751	Hex Cap Screw, 1/4-20 x .62
10	712-3010	Hex Nut, 5/16-18	46	712-0271	Hex Sems Nut, 1/4-20
11	714-0470	Cotter Pin, 1/8 x 1.25	47	712-3044	Wing Nut, 1/4-20
12	726-0201	Speed Nut, .3125	48	732-1165	Extension Spring, .50 x 5.0
13	731-2111A	PTO Knob	49	710-3180	Hex Cap Screw, 5/16-18 x 1.75
14	732-1170	Extension Spring, .75 x 6.75	50	750-0596	Spacer Cup
15	732-0991A	Belt Guard	51	710-3029	Hex Head Cap Screw, 7/16-20 x 1.25
16	736-0108	Flat Washer, .510 x .750 x .033	52	736-0171	Lock Washer, 7/16
17	736-0119	Lock Washer, 5/16	53	736-0322	Flat Washer, .450 x 1.25
18	736-0140	Flat Washer, .385 x .62 x .063	54	756-0983B	Engine Pulley, 3.56 OD x 5.56
19	736-0275	Flat Washer, 5/16	55	754-0497	PTO Belt (LT-1650)
20	736-3000	Flat Washer, .406 x .875 x .059	56	783-0653F	Steering Support Bracket
21	736-0331	Bell Washer, .39 x 1.13 x .062	57	711-1044	Keeper Pin, 5/16 x 4.75
22	736-3010	Flat Washer, .407 x .812 x .135	58	732-1013	Belt Guard
23	738-0372	Shoulder Spacer, .380	59	710-3025	Hex Cap Screw, 5/16-18 x .625
24	741-0708	Hex Split Flange Bearing, .5	60	783-1003	Electric Clutch Anti-rotation Bracket
25	747-1112D	PTO Engagement Handle	61	732-0978	Extension Spring, .62 x 5.62
26	747-1286A	Belt Keeper Rod	62	710-0859	Hex Cap Screw, 3/8-16 x 2.5
27	748-0415B	Spacer, 3/8 x 1.54	63	683-0297	Idler Bracket Assembly
28	756-0627B	Idler Pulley, 3.5	64	738-3056	Shoulder Screw, 1/2 x 2.5
29	756-1208	Idler Pulley, 4.0	65	754-0474	PTO Belt (LT-1850)
30	783-0744A	Engagement Stop	66	710-3144	Hex Cap Screw, 3/8-16 x 2.0
31	783-0891B	Deck Stop	67	717-1708	Electric PTO Clutch
32	710-0604A	Self Tapping Screw, 5/16-18 x .625	68	738-0785	Shoulder Spacer, 1.38 x .445 x .36
33	732-04035	Compression Spring, 1.28 x 3.125	69	710-3157	Hex Cap Screw, 7/16-20 x 3.25 (Grade 5)
34	723-0444	Battery Strap	70	725-1657A	Switch
35	738-1020	Shoulder Screw, .625 x .5, 7/16-20	71	17962	Switch Plate
36	736-0407	Bell Washer, .45 x 1.0 x .062	72	710-0224	Screw, #10-16 x .5

**IMPORTANT:** For a proper working machine, use Factory Approved Parts. **V-belts** are designed to engage and disengage safely. A substitute (non OEM) V-belt can be dangerous by not disengaging completely.

**NOTE:** For **painted parts**, please refer to the list of color codes below. Please add the applicable color code, wherever needed, to the part number to order a replacement part. For instance, if a part, numbered 700-xxxx, is painted Oyster Gray, the part number to order would be 700-xxxx-0662.  
 Oyster Gray: 0662  
 Powder Black: 0637  
 Red Metallic: 0650

# Model LT-1650

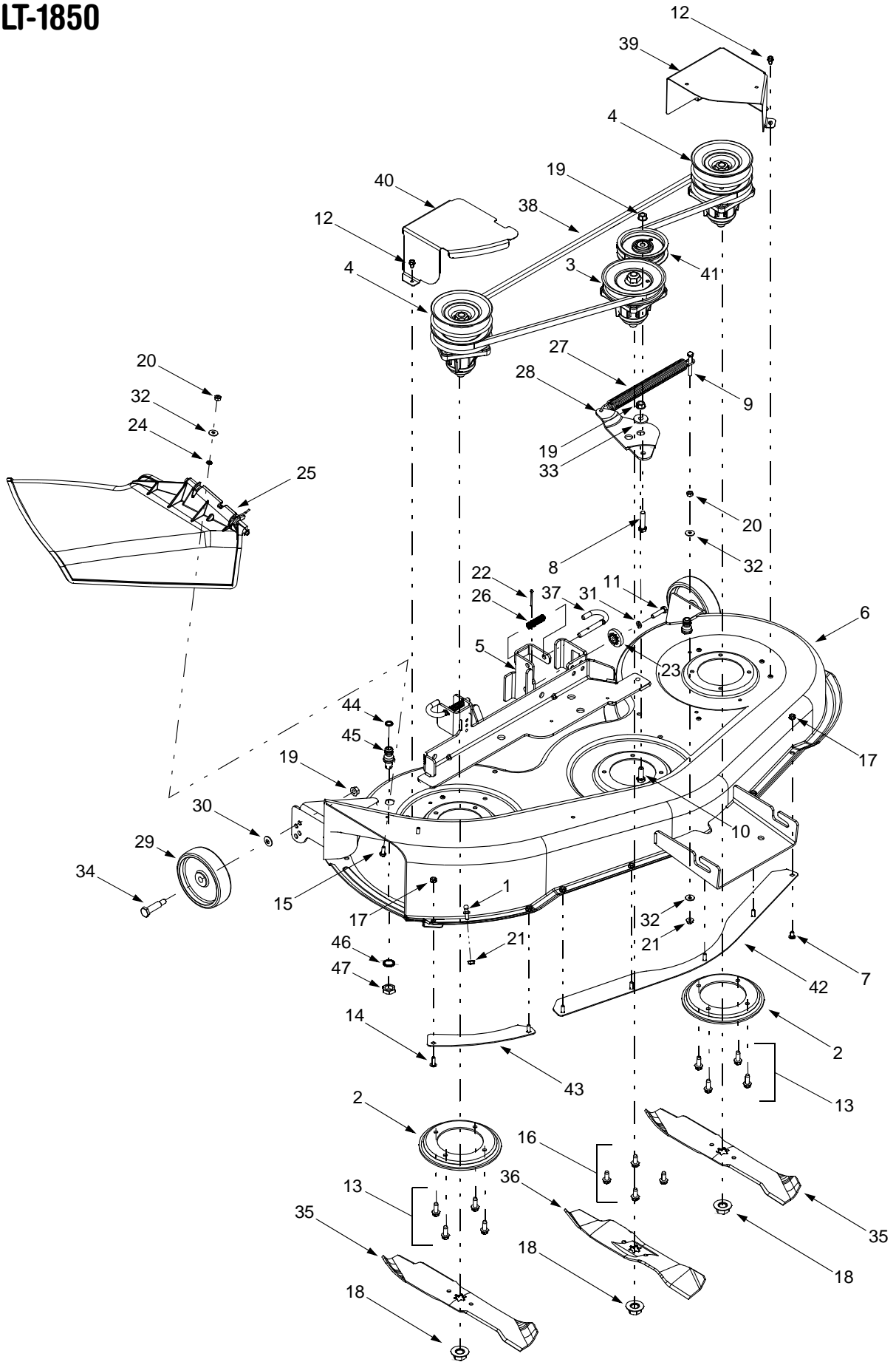


**Model LT-1650**

REF. NO.	PART NO.	DESCRIPTION
1	711-04069	Grass Catcher Pin, 1/4-20
2	618-0574	Spindle Assembly, 5.75 Dia. w/ Fitting
	756-0980	Pulley Only
3	683-04051	42-inch Deck Shell
4	683-0254	Deck Adjustment Bracket w/ Weld Nut
5	736-0140	Flat Washer, .385 x .62 x .063
6	710-0520	Hex Cap Screw, 1/4-20 x 1.5
7	710-0528	Hex Cap Screw, 5/16-18 x 1.25
8	710-0726	Self-tapping Screw, 5/16-12 x .75
9	710-0751	Hex Cap Screw, 1/4-20 x .62
10	710-1238	Hex Head Washer Screw, 5/16-18 x .875
11	710-0650	Self-tapping Screw, 5/16-18 x .875
12	710-3151	Hex Cap Screw, 5/8-18 x .875
13	712-0337	Hex Nut, 5/8-18
14	712-0417A	Hex Flange Nut, 5/8-18
15	712-0431	Flange Lock Nut, 3/8-16
16	712-3004A	Flange Lock Nut, 5/16-18
17	712-3006	Hex Nut, 1/4-20
18	712-3027	Hex Flange Lock Nut, 1/4-20
19	714-0470	Cotter Pin, 1/8 x 1.25
20	716-3020	Internal Snap Ring
21	717-1553B	Deck Adjustment Gear
22	726-0233	Push Nut, .25 x .5
23	731-1032B	Side Discharge Chute Assembly
24	731-2486	Belt Cover
25	732-0306	Compression Spring, .406 x .531 x 1.75
26	732-0470A	Extension Spring, .50 x 4.74
27	734-0973	Deck Wheel, 5 x 1.38
28	712-0641	Hex Nut, M-16 x 1.5
29	736-0119	Lock Washer, 5/16
30	736-0158	Lock Washer, 5/8
31	736-0162	Flat Washer, .64 x 1.0 x .12
32	736-0270	Bell Washer, .265 x .75 x .062
33	738-0373	Shoulder Screw, .498 x 1.53
34	741-0524	Bearing, .625 x 1.574 x .470
35	742-0616A	Three-in-one Blade, Star Center, 21.23"
36	747-1116	Deck Release Pin
37	748-0331	Shoulder Spacer, .625 x .324
38	750-0932A	Spacer, .635 x .88 x 1.72
39	683-0440	Deck Brake Assembly
40	754-0498	Deck Belt
41	756-0627B	Idler Pulley, 3.5
42	756-1202	Double Pulley, 5.0
43	710-1830	Self-tapping Screw, 1/4-20 x 4.0
44	746-0970	Brake Cable, 5.05
45	783-1291	Idler Bracket
46	711-1534	Pin, 3/8-16, 3/8 x 3.27
47	721-0417	O-Ring
48	737-04003	Water Nozzle
49	736-0760	Lock Washer, 17 x 23.8 x 1.95

**IMPORTANT:** For a proper working machine, use Factory Approved Parts. **V-belts** are designed to engage and disengage safely. A substitute (non OEM) V-belt can be dangerous by not disengaging completely.

# Model LT-1850



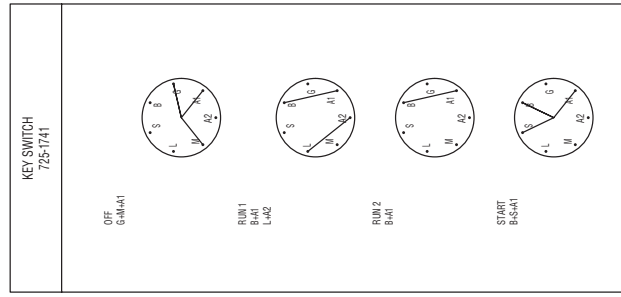
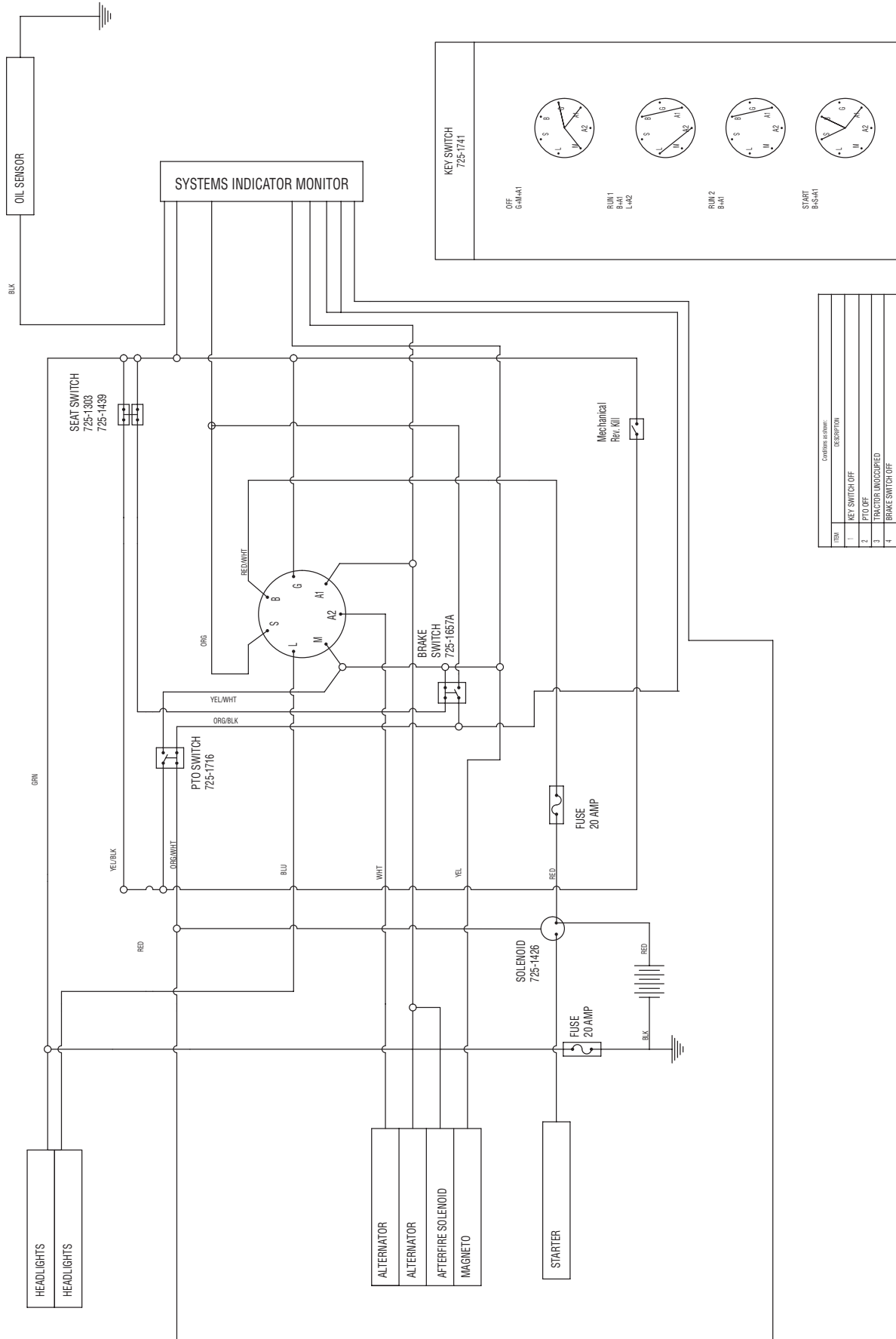


**Models LT-1850**

REF. NO.	PART NO.	DESCRIPTION
1	711-04069	Grass Catcher Pin, 1/4-20
2	17982	Spindle Reinforcement Plate
3	618-0430A	Spindle Assembly, 5.0 Dia. w/ Fitting
	756-1187	Pulley Only
4	618-0431	Double Pulley Spindle Assembly w/ Fitting
	756-0603	Pulley Only
5	683-0254	Deck Adjustment Bracket Assembly
6	683-04052	46-inch Deck Shell
7	710-0167	Carriage Screw, 1/4-20 x .50
8	710-0344	Hex Cap Screw, 3/8-16 x 1.5
9	710-0501	Hex Cap Screw, 1/4-20 x 2.0
10	710-0514	Hex Cap Screw, 3/8-16 x 1.0
11	710-0528	Hex Cap Screw, 5/8-18 x 1.25
12	710-0599	Self-tapping Screw, 1/4-20 x .5
13	710-0650	Self-tapping Screw, 15/16-18 x .875
14	710-0703	Hex Screw, 1/4-20 x .75
15	710-0751	Hex Cap Screw, 1/4-20 x .62
16	710-1260A	Self-tapping Screw, 5/16-18 x .75
17	712-0271	Hex Sems Nut, 1/4-20
18	712-0417A	Hex Flange Nut, 5/8-18
19	712-0431	Flange Lock Nut, 3/8-16
20	712-3006	Hex Nut, 1/4-20
21	712-3027	Hex Flange Lock Nut, 1/4-20
22	714-0470	Cotter Pin, 1/8 x 1.25
23	717-1553A	Deck Adjustment Gear
24	726-0233	Push Nut. .25 x .5
25	731-1032B	Side Discharge Chute Assembly
26	732-0306	Compression Spring, .406 x .531 x 1.75
27	732-0594A	Extension Spring, .91 x 7.3
28	783-0139A	Idler Bracket
29	734-0973	Deck Wheel, 5 x 1.38
30	736-0105	Bell Washer, .401 x .87 x .063
31	736-0119	Lock Washer, 5/16
32	736-0270	Bell Washer, .265 x .75 x .062
33	738-0347	Shoulder Spacer, .625 x 1.16
34	738-0373	Shoulder Screw
35	742-0611	Three-in-one Blade, Star Center, 16.28"
36	742-0612	Three-in-one Blade, Star Center, 14.88"
37	747-1116	Deck Release Pin
38	754-0349	Deck Belt, Poly
39	783-0747	LH Belt Cover
40	783-0805A	RH Belt Cover
41	756-0627B	Idler Pulley, 3.5
42	783-0141	Center Deck Skirt
43	783-0142	RH Deck Skirt
44	721-0417	O-Ring
45	737-04003	Water Nozzle
46	736-0760	Lock Washer, 17 x 23.8 x 1.95
47	712-0641	Hex Nut, M-16 x 1.5

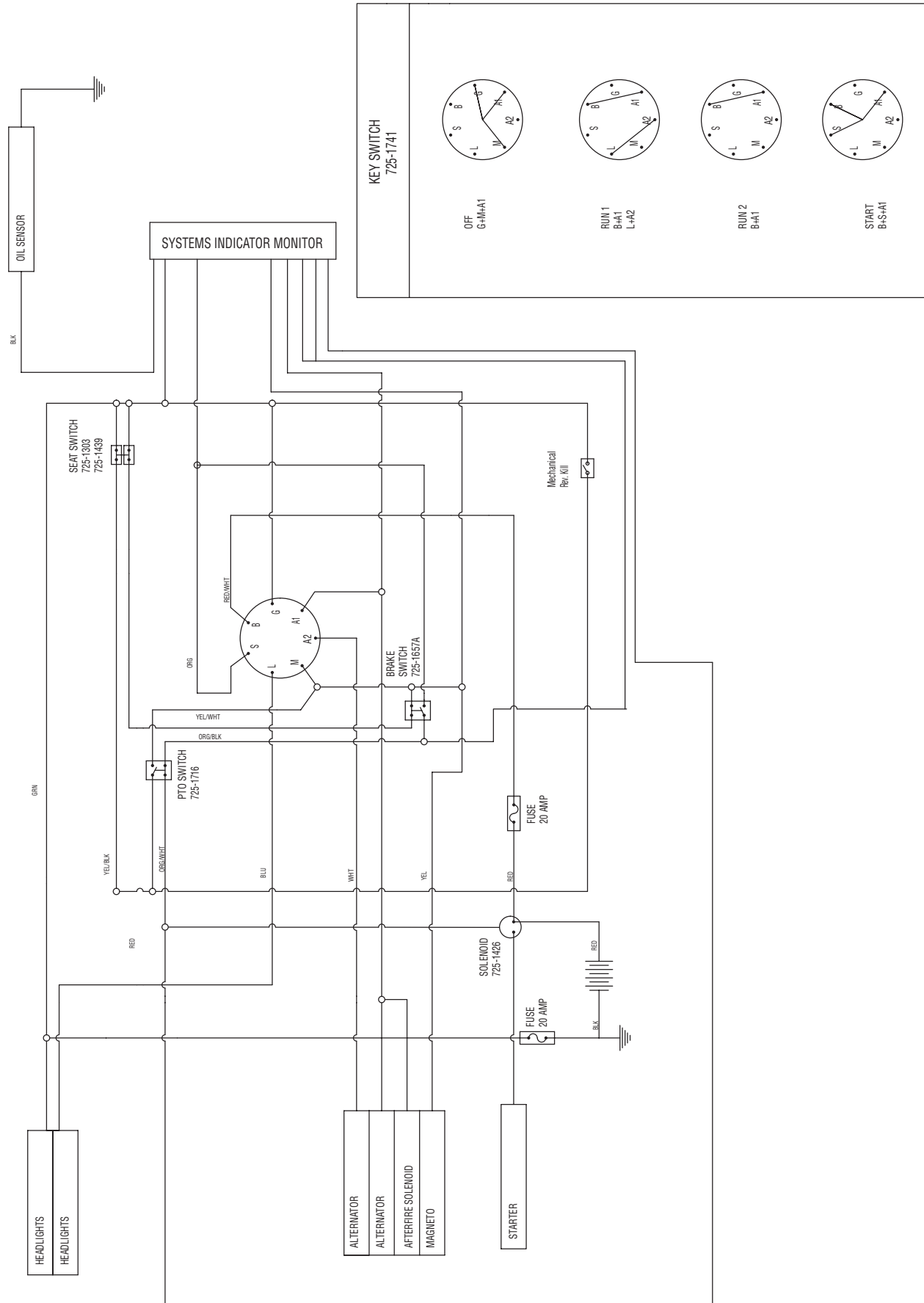
**IMPORTANT:** For a proper working machine, use Factory Approved Parts. **V-belts** are designed to engage and disengage safely. A substitute (non OEM) V-belt can be dangerous by not disengaging completely.

# Model LT-1650

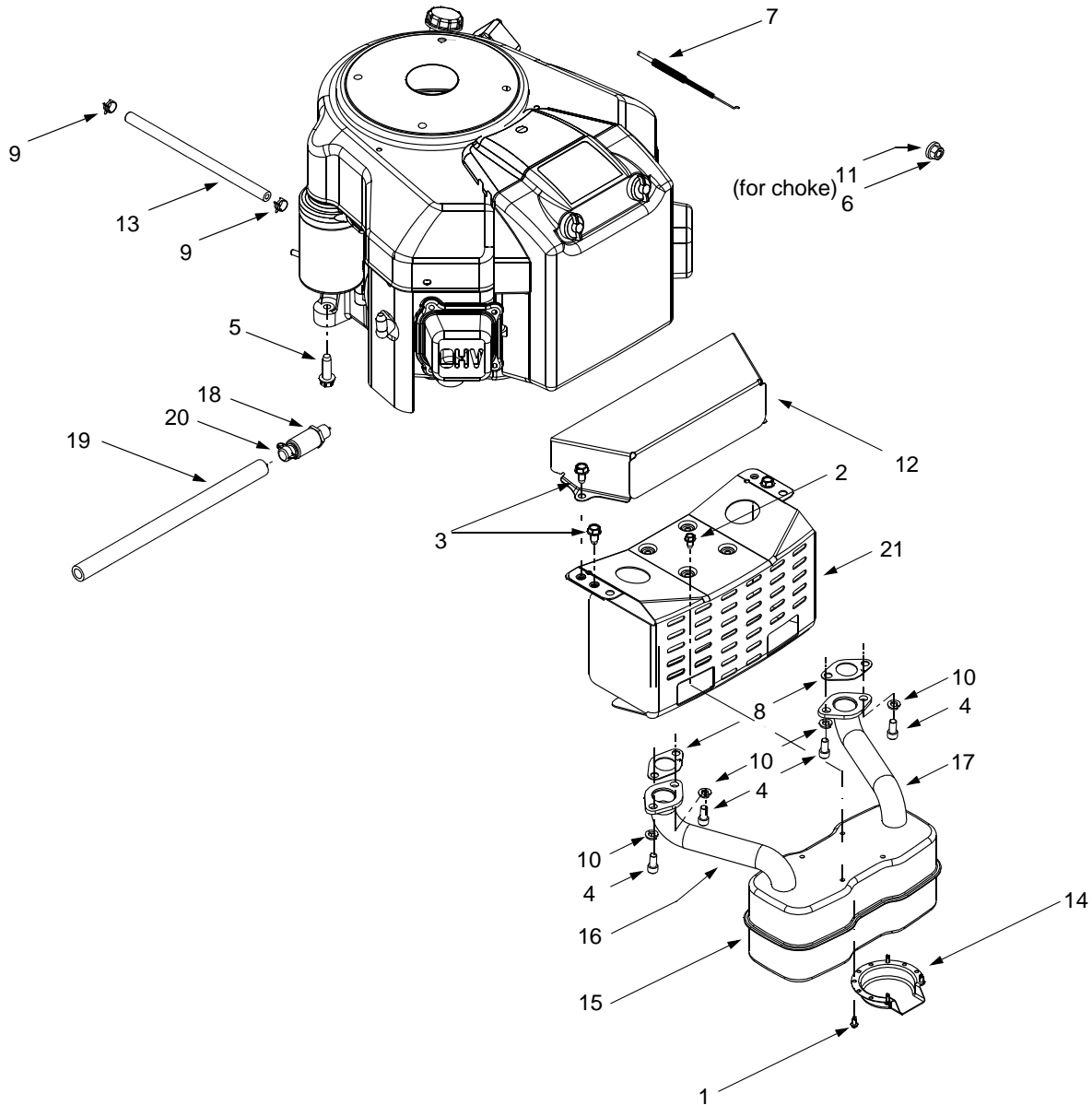


ITEM	DESCRIPTION
1	KEY SWITCH OFF
2	PTO OFF
3	PTO MOTOR UNCOUPLED
4	BRAKE SWITCH OFF

# Model LT-1850

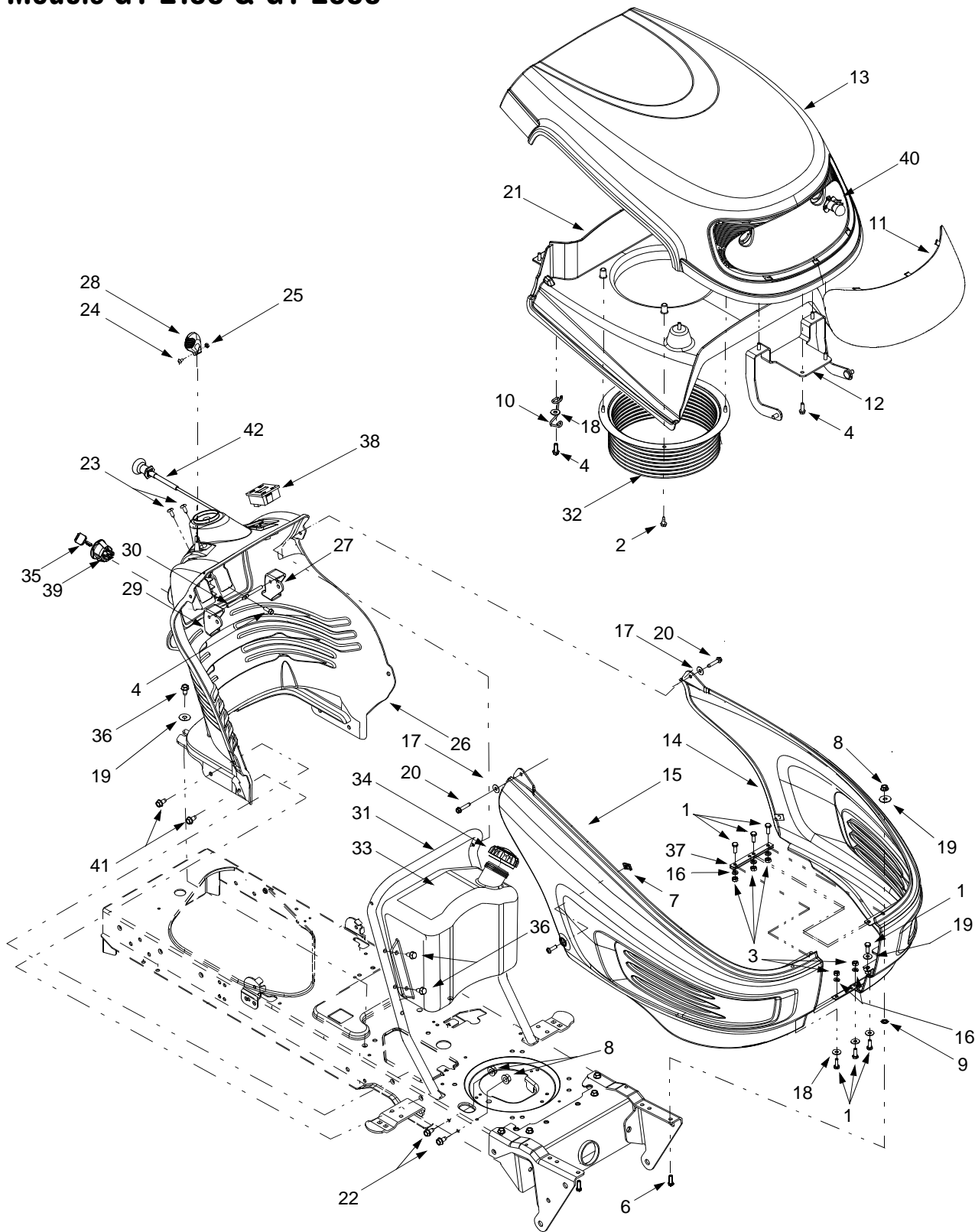


## Models GT-2150 & GT-2550



REF. NO.	PART NO.	DESCRIPTION	REF. NO.	PART NO.	DESCRIPTION
1	710-0227	Screw, #8-18 x .5	12	783-0625C	Engine Heat Shield
2	710-0599	Self-tapping Screw, 1/4-20 x .5	13	751-0535	Fuel Line Hose
3	710-0726	Self-tapping Screw, 5/16-12 x .75	14	751-0564	Muffler Deflector
4	710-1314A	Socket Cap Screw, 5/16-18 x .625	15	751-0616	Muffler, Twin Inlet
5	710-1315	Self-tapping Screw, 3/8-16 x 1.25	16	751-0814	RH Exhaust Pipe
6	712-3017	Hex Nut, 3/8-16	17	751-0813	LH Exhaust Pipe
7	746-1086	Throttle Cable	18	751-3140	Oil Drain Valve
8	721-0460	Exhaust Gasket	19	751-3141	Oil Drain Hose
9	726-0205	Hose Clamp	20	751-3142	Oil Drain Cap
10	736-0119	Lock Washer, 5/16	21	783-0615B	Muffler Heat Shield
11	736-0300	Lock Washer, .406 x .875 x .059			

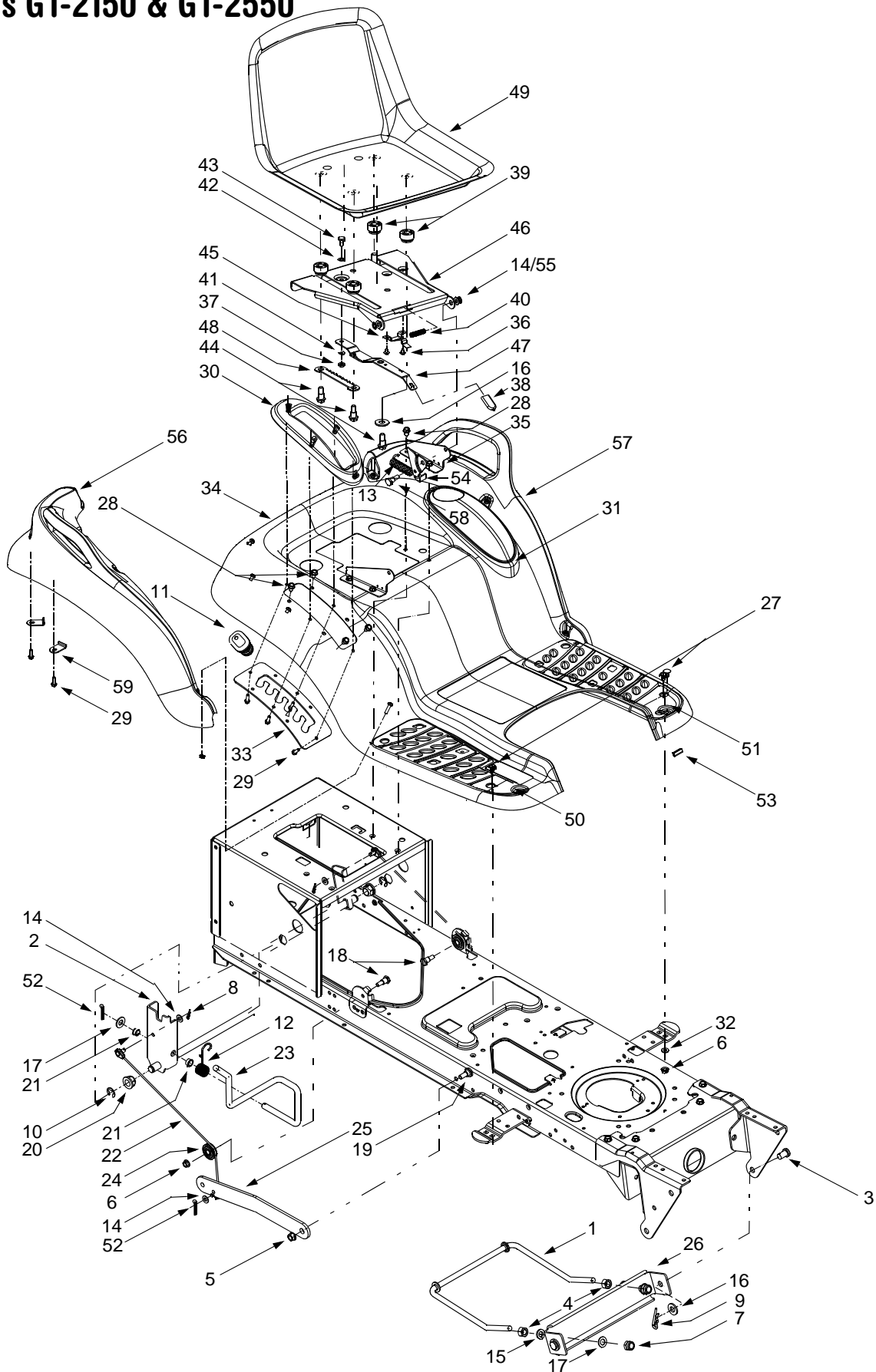
# Models GT-2150 & GT-2550



**Models GT-2150 & GT-2550**

REF. NO.	PART NO.	DESCRIPTION
1	710-3015	Hex Cap Screw, 1/4-20 x .75
2	710-0599	Self-tapping Screw, 1/4-20 x .5
3	712-3006	Hex Nut, 1/4-20
4	710-0895	Self-tapping Screw, 1/4-15 x .75
5	710-0924	Pan Phillips Screw, 1/4-20 x .75
6	710-0376	Hex Cap Screw, 5/16-18 x 1.0
7	712-0292	U-type Speed Nut, 1/4-20
8	712-3004A	Flange Lock Nut, 5/16-18
9	726-0201	Speed Nut
10	747-2127	Hood Latch Rod
11	731-2286	Head Light Lens
12	683-0305	Hood Bracket Assembly
13	731-2283A	Hood
14	731-2327A	LH Side Panel
15	731-2328A	RH Side Panel
16	736-0329	Lock Washer, 1/4
17	736-0342	Flat Washer, .283 x .75 x .030
18	736-0173	Flat Washer, .28 x .74 x .063
19	736-3078	Flat Washer, .349 x 1.0 x .063
20	710-0809	Self-tapping Screw, 1/4-20 x 1.25
21	731-2284	Hood Plenum
22	710-0604A	Self-tapping Screw, 5/16-18 x .625
23	710-1017	Torx Self-tapping Screw, 1/4-14 x .625
24	710-3217	Torx Screw, #8-32 x .375
25	712-0142	Hex Nut, 8-32
26	631-04036	Dash Panel, 4-style w/ Cargo Net
27	731-0072	Parking Brake Button
28	731-1857	Throttle Control Lever
29	731-2106	Cruise Control Button
30	747-1155	Brake/Cruise Pivot Rod
31	749-1087A	Dash Support Tube
32	731-2234	Intake Bellow
33	751-0658D	Fuel Tank, 3-gallon
34	751-0603	Fuel Cap
35	725-1745	Ignition Key w/ plastic cover
	725-1744	Ignition Key w/o plastic cover
36	710-0726	Self-tapping Screw, 5/16-18 x .75
37	783-1000A	Grille Support Bracket
38	725-04036	Systems Indicator Monitor, Curved Face
39	725-1741	Ignition Switch
40	625-0051	Headlight Assembly
41	710-1611B	Self-tapping Screw, 5/16-18 x .75
42	746-1085	Choke Control
—	629-0469B	Headlight Wire Harness
—	629-1067	Tractor Wire Harness

# Models GT-2150 & GT-2550



## Models GT-2150 & GT-2550

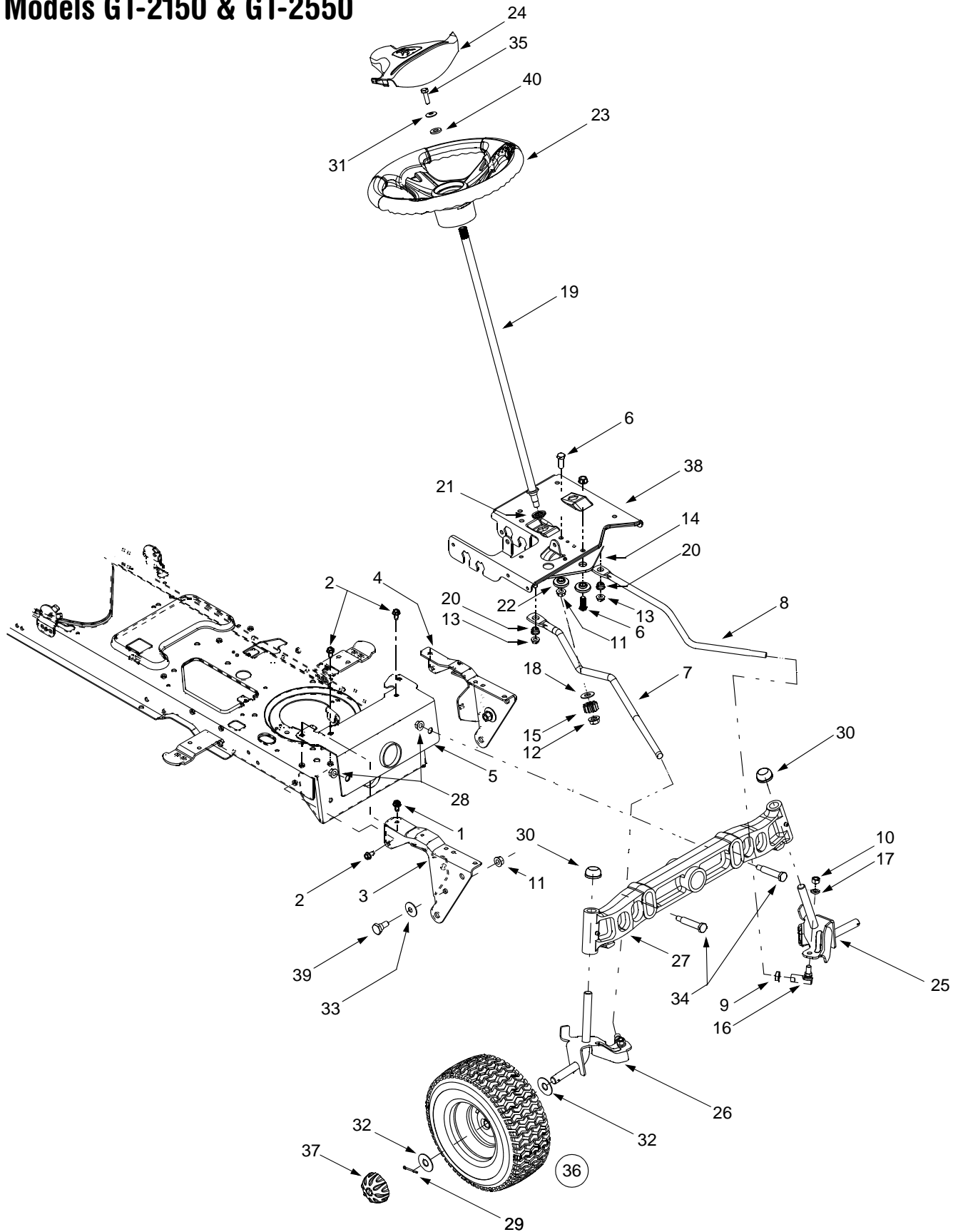
REF. NO.	PART NO.	DESCRIPTION	REF. NO.	PART NO.	DESCRIPTION
1	747-1130B	Deck Stabilizer Rod (Model GT-2150)	31	731-1993	Cover w/ Cup Holder
	747-1324	Deck Stabilizer Rod (Model GT-2550)	32	736-3078	Flat Washer, .349 x 1.0 x .063
2	683-0197B	Lift Shaft Assembly (Model GT-2150))	33	783-0677	Lift Adjustment Bracket
	683-0462	Lift Shaft Assembly (Model GT-2550)	34	783-1279	Fender
3	711-0332	Clevis Pin, .5 x .78	35	783-1489	Seat Mounting Bracket
4	712-0206	Hex Nut, 1/2-13	36	710-1268	Screw, #10-16 x .375
5	712-0431	Flange Lock Nut, 3/8-16	37	712-3027	Hex Flange Lock Nut, 1/4-20
6	712-3004A	Flange Lock Nut, 5/16-18	38	720-0309A	Seat Adjuster Grip
7	712-3083	Hex Nut, 1/2-13	39	731-1989	Spacer
8	714-0104	Internal Cotter Pin	40	732-0499	Compression Spring, .41 x 1.5
9	714-0145	Internal Cotter Pin	41	736-0175	Spring Washer, .265 x .562 x .025
10	716-0106	E-ring	42	736-0204	Flat Washer, .344 x .62 x .03
11	720-0311	Handle Grip	43	738-0137A	Shoulder Screw, .340 x .285,1/4-20
12	732-0874	Torsion Spring	44	738-1007	Shoulder Screw, .50 x .50, 3/8-16
13	732-1184	Extension Spring, .84 x 4.6	45	783-0611	Seat Stop
14	736-0275	Flat Washer, 5/16	46	783-0738	Seat Pivot Bracket
15	736-0921	Lock Washer, 1/2	47	783-0739	Seat Adjustment Lever
16	736-3019	Flat Washer, .31 x 1.062 x .134	48	783-0753	Seat Adjustment Selector
17	736-3084	Flat Washer, .51 x 1.12 x .06	49	757-04015	High Back Seat, Black
18	738-0138A	Hex Cap Screw, 5/16-18 x .62	50	735-0656	RH Foot Pad
19	738-0143	Shoulder Screw, 3/8-16	51	735-0657	LH Foot Pad
20	741-0225	Hex Flange Bearing	—	726-3046	Foot Pad Clips
21	741-0715	Snap Flange Bearing	52	714-0111	Cotter Pin
22	746-0968	Lift Cable, 16.16	53	731-0511	Trim Strip
23	747-1111A	Lift Handle	54	783-0209A	LH Seat Lift Bracket
24	756-1154	Roller Pulley	—	17239A	RH Seat Lift Bracket
25	783-0678A	Arm Lift	55	726-0201	Speed Clip
26	783-0720A	Deck Stabilizer Bracket	56	731-2618	RH Fender Flare
27	710-0260A	Carriage Bolt, 5/16 x .62	57	731-2619	LH Fender Flare
28	710-0604A	Self-tapping Screw, 5/16-18 x .625	58	738-0296	Shoulder Screw, .437 x .286
29	710-0895	Self-tapping Screw, 1/4-15 x .75	59	783-1478	Fender Clips
30	731-1990	Lift Lever Cover			

**NOTE:** For **painted parts**, please refer to the list of color codes below. Please add the applicable color code, wherever needed, to the part number to order a replacement part. For instance, if a part, numbered 700-xxxx, is painted Oyster Gray, the part number to order would be 700-xxxx-0662.

Oyster Gray: 0662  
 Powder Black: 0637  
 Red Metallic: 0650



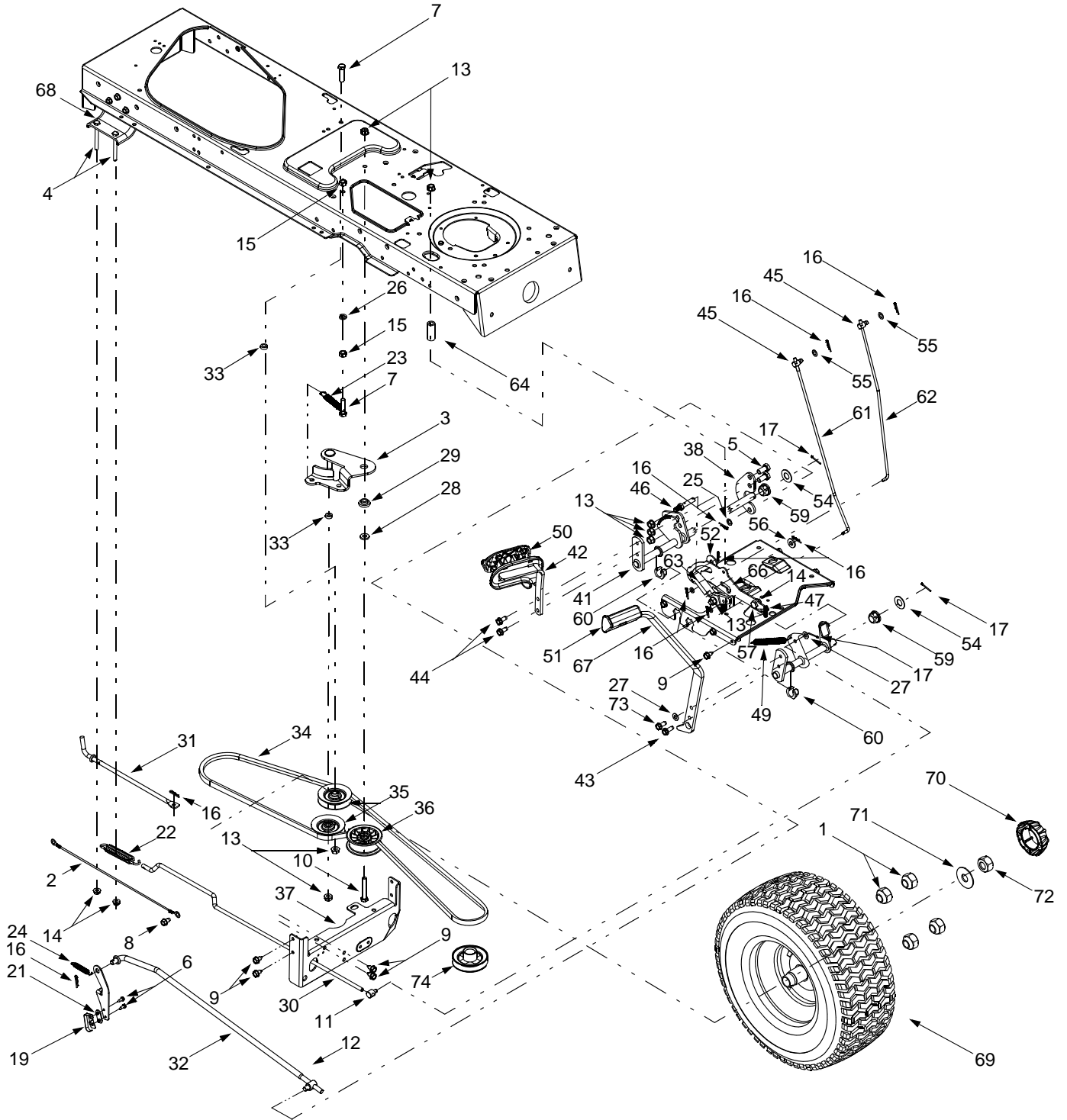
# Models GT-2150 & GT-2550



**Models GT-2150 & GT-2550**

<b>REF. NO.</b>	<b>PART NO.</b>	<b>DESCRIPTION</b>
1	710-1260A	Self-tapping Screw, 5/16-18 x .75
2	710-0604A	Self-tapping Screw, 16-18 x .625
3	783-0726B	RH Pivot Support Bracket
4	783-0727A	LH Pivot Support Bracket
5	783-0728	Pivot Bar Bracket
6	710-0514	Hex Cap Screw, 3/8-16 x 1 (Grade 5)
7	711-1408	RH Drag Link
8	711-1409A	LH Drag Link
9	712-0240	Jam Nut, 7/16-20 (Grade 2)
10	712-0241	Hex Nut, 3/8-24 (Grade 2)
11	712-0431	Flange Lock Nut, 3/8-16
12	712-0459	Flange Lock Nut, 7/16-20
13	712-3004A	Flange Lock Nut, 5/16-18
14	717-1550D	Steering Gear, 11/90 Ratio
15	717-1554	Steering Pinion Gear
16	723-0448A	Ball Joint, 7/16-20
17	736-0169	Lock Washer, 3/8
18	736-3084	Flat Washer, .51 x 1.12 x .06
19	738-1001A	Steering Shaft, .625 OD x 24.4
20	741-0475	Plastic Bushing, .38 ID
21	741-0656	Hex Flange Bearing, 5/8
22	738-0372B	Shoulder Spacer, .38 ID
23	631-04008	Steering Wheel, Soft Grip, Three Spoke
24	731-04065	Steering Wheel Cover
25	638-0017	LH Axle Assembly, .750 Dia.
26	638-0018	RH Axle Assembly, .750 Dia.
27	719-0525B	Cast Iron Pivot Bar w/ Fittings, .750
28	712-0431	Flange Lock Nut, 3/8-16
29	714-0162	Cotter Pin
30	726-0341	Push Cap, .750
31	736-0242	Bell Washer, .34 x .872
32	736-0285	Flat Washer, .635 x 1.589 x .06
33	736-0331	Bell Washer, .39 x 1.13 x .062
34	738-1011	Shoulder Screw, .5 x 2.2, 3/8-16
35	710-0643	Hex Bolt, 5/16-18 X 1
36	634-0085	Wheel Assembly Complete, 16 x 6.5 x 8
—	634-0071	Rim Only
—	734-0255	Air Valve (Not Shown)
—	734-1727	Tire Only, Square Shoulder
—	737-0280	Grease Fitting (Not Shown)
—	741-3032	Ball Bearing (Not Shown)
37	734-2290A	Hub Cap
38	783-0653F	Steering Support Bracket
39	738-0143	Shoulder Screw, 3/8-16
40	736-3004	Flat Washer, .406 x .875 x .105

# Models GT-2150 & GT-2550



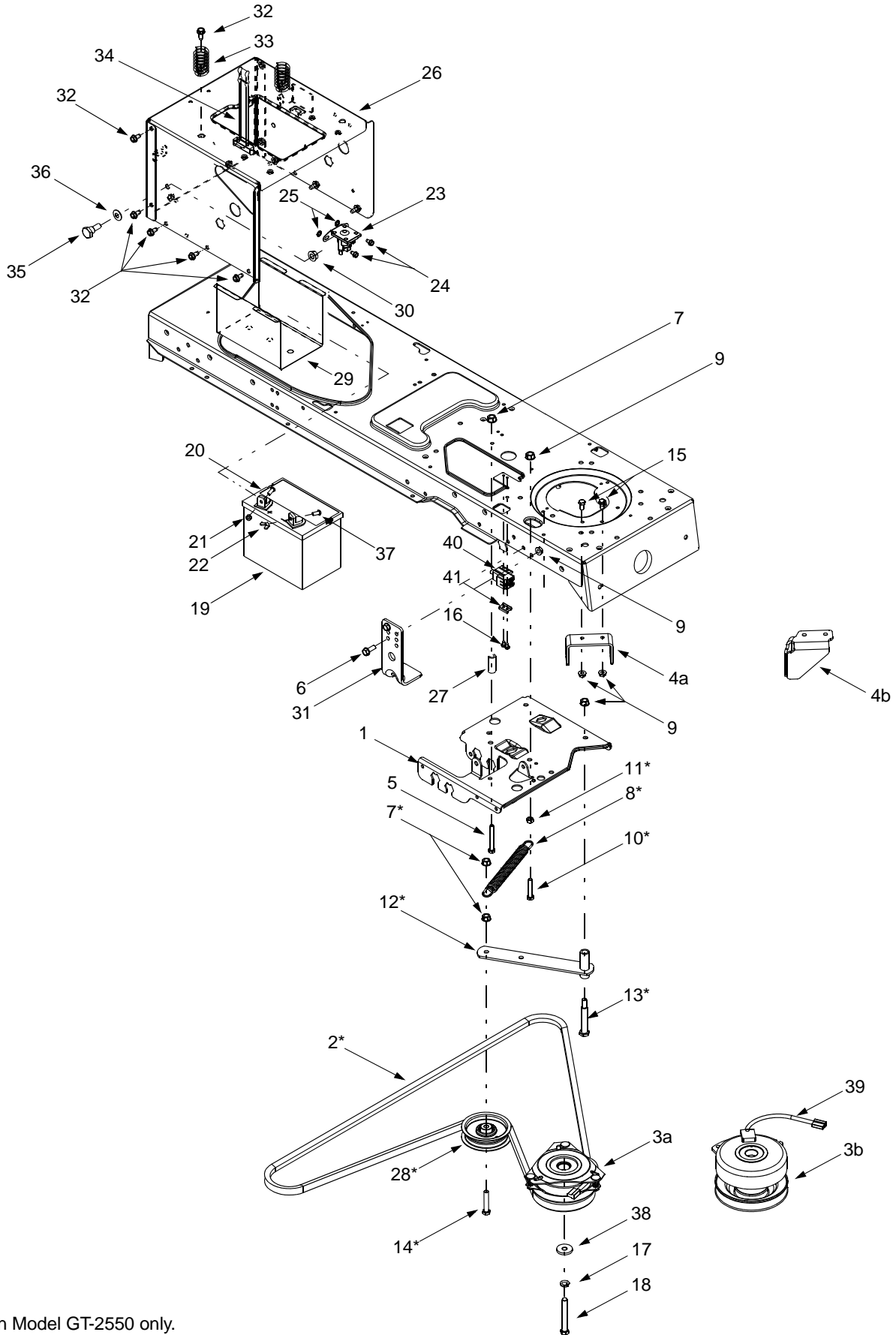
## Models GT-2150 & GT-2550

REF. NO.	PART NO.	DESCRIPTION	REF. NO.	PART NO.	DESCRIPTION
1	712-3050	Lug Nut, 3/4-16	40	647-0031B	Brake Control Assembly
2	629-0949A	Reverse/Ground Wire Harness Adapter	41	647-0049	Drive Control Assembly
3	683-0251	Double Idler Bracket Assembly	42	683-0267C	Hydro Pedal Assembly
4	710-0176	Hex Cap Screw, 5/16-18 x 2.75	43	710-0650	Self-tapping Screw, 5/16-18 x .875
5	710-0216	Hex Cap Screw, 3/8-16 x .75	44	710-1260A	Self-tapping Screw, 5/16-18 x .75
6	710-0227	Screw, #8-18 x .5	45	711-0736	Ferrule, 1/4-20
7	710-0344	Hex Cap Screw, 3/8-16 x 1.5	46	711-1363	Pin, 3/8-16 x 2.43
8	710-0599	Self-tapping Screw, 1/4-20 x .50	47	732-0335	Compression Spring, .40 OD x 1.17
9	710-0604A	Self-tapping Screw, 5/16-18 x .625	48	732-0955	Extension Spring, .50 OD x 1.41
10	710-3011	Hex Cap Screw, 3/8-16 x 2.25	49	732-0963	Extension Spring, .50 OD x 6.37
11	711-0677	Ferrule, 5/16-18	50	735-0662	Drive Pedal Pad
12	711-0832	Ferrule, 3/8-24	51	735-3049	Brake Pedal Pad
13	712-0431	Flange Lock Nut, 3/8-16	52	736-0133	Flat Washer, .411 x 1.25 x 1.0
14	712-3004A	Flange Lock Nut, 5/16-18	53	736-0142	Flat Washer, .281 x .50 x .063
15	712-3017	Hex Nut, 3/8-16	54	736-0187	Flat Washer, .64 x 1.24 x .06
16	714-0104	Internal Cotter Pin	55	736-0204	Flat Washer, .344 x .062 x .03
17	714-0111	Cotter Pin	56	736-3004	Flat Washer, .406 x .875 x .105
18	725-0157	Cable Tie	57	738-0155	Shoulder Screw, .437 x 1.62
19	725-1644	Short Spring Switch	58	738-0507B	Shoulder Screw, .5 x .434
20	726-0154	Push-mount Cable Tie	59	741-0225	Hex Flange Bearing
21	726-0320	Insulator Nut Plate	60	741-3065B	Split Hex Flange Bearing
22	732-0716	Extension Spring, .59 x 4.0	61	747-1137	Cruise Control Rod
23	732-0429A	Extension Spring, .5 x 3.97	62	747-1138	Brake Lock Control Rod
24	732-3118	Extension Spring, 3/8 x 1.44	63	748-0413	Cruise Latch
25	736-0140	Flat Washer, .385 x .62 x .063	64	748-0415B	Spacer, 5/16 x 1.54
26	736-0169	Lock Washer, 3/8	65	783-0653F	Steering Support Bracket
27	736-3008	Flat Washer, .344 x .750 x .120	66	783-0663C	Drive Lockout Bracket
28	736-3010	Flat Washer, .407 x .812 x .135	67	783-0773	Brake Pedal
29	738-0372B	Shoulder Spacer, .38	68	783-0693	Transmikssion Axle Bracket
30	747-1119	Hydrostatic Control Rod	69	634-0132	Wheel Assembly Complete, 23 x 9.5 x 12
31	747-1121	Hydrostatic Bypass Rod		634-0194	Rim Only
32	747-1122	Hydrostatic Brake Rod		734-0255	Air Valve (Not Shown)
33	750-0535	Spacer, .376 x .625 x .22		734-1728	Tire Only, Square Shoulder
34	754-0349	Drive Belt	70	734-2290	Hub Cap
35	756-0116	V-idler Pulley, 3.06	71	736-0316	Flat Washer, .780 x 1.59 x .062
36	756-0981A	Flat Idler Pulley, 2.75	72	712-3026	Jam Nut, 3/4-16
37	783-0667A	Transmission Torque Bracket	73	710-1611B	Self-tapping Screw, 5/16-18 x .75
38	783-0745	Speed Control Bracket	74	756-0978A	Engine Pulley
39	783-0782	Switch Actuator Bracket	—	618-0379	Hydrostatic Transmission Assembly

**IMPORTANT:** For a proper working machine, use Factory Approved Parts. **V-belts** are designed to engage and disengage safely. A substitute (non OEM) V-belt can be dangerous by not disengaging completely.

**NOTE:** For **painted parts**, please refer to the list of color codes below. Please add the applicable color code, wherever needed, to the part number to order a replacement part. For instance, if a part, numbered 700-xxxx, is painted Oyster Gray, the part number to order would be 700-xxxx-0662.  
 Oyster Gray: 0662  
 Powder Black: 0637  
 Red Metallic: 0650

# Models GT-2150 & GT-2550



\* Found on Model GT-2550 only.

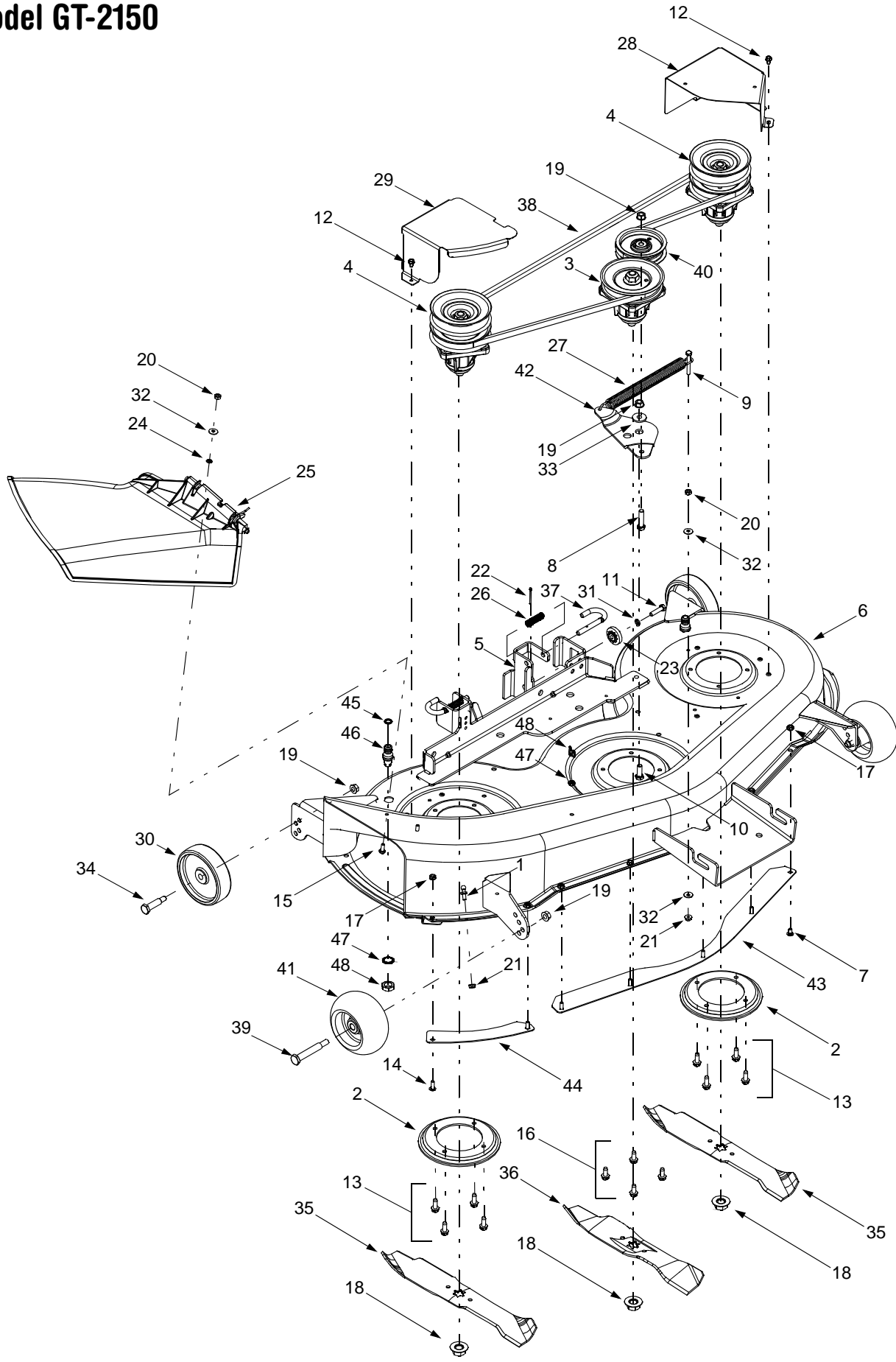
## Models GT-2150 & GT-2550

REF. NO.	PART NO.	DESCRIPTION
1	783-0653F	Steering Support Bracket
2	754-0476	PTO Belt
3a	717-1709	Electric PTO Clutch (Model GT-2150)
3b	717-1774	Electric PTO Clutch (Model GT-2550) (Incl. Ref 39)
4a	783-1003	PTO Clutch Anti-rotation Bracket (Model GT-2150)
4b	683-0618	PTO Clutch Anti-rotation Bracket (Model GT-2550)
5	710-0859	Hex Cap Screw, 3/8-16 x 2.5
6	710-1238	Hex Head Washer Screw, 5/16-18 x .875
7	712-0431	Flange Lock Nut, 3/8-16
8	732-0978	Extension Spring, .62 x 5.62
9	712-3004A	Flange Lock Nut, 5/16-18
10	710-3180	Hex Cap Screw, 5/16-18 x 1.75
11	712-3010	Hex Nut, 5/16-18
12	683-0294	Idler Bracket Assembly
13	738-3056	Shoulder Screw, 1/2 x 2.5
14	710-3144	Hex Cap Screw, 3/8-16 x 2.0
15	710-3025	Hex Cap Screw, 5/16-18 x .625
16	710-0224	Screw, #10-16 x .5
17	736-0171	Lock Washer, 7/16
18	710-3157	Hex Cap Screw, 7/16-20 x 3.25 (Model GT-2150)
	710-0561	Hex Cap Screw, 7/16-20 x 2.50 (Model GT-2550)
19	725-1706	12-volt Battery, 270 CCA
20	710-0751	Hex Cap Screw, 1/4-20 x .62
21	712-0271	Hex Sems Nut, 1/4-20
22	712-3087	Wing Nut, 1/4-20
23	725-1426	Solenoid, 12-Volt, 100 Amp
24	710-0599	Self Tapping Screw, 1/4-20 x .5
25	736-0222	Lock Washer, 1/4
26	783-1033A	Hitch Plate
27	748-0415B	Spacer, 3/8 x 1.54
28	756-0627B	Idler Pulley, 3.5
29	783-0349	Battery Tray
30	712-0459	Flange Lock Nut, 7/16-20
31	783-0891B	Deck Stop
32	710-0604A	Self Tapping Screw, 5/16-18 x .625
33	732-04035	Compression Spring, 1.28 x 3.125
34	723-0444	Battery Strap
35	738-1020	Shoulder Screw, .625 x .5, 7/16-20
36	736-0407	Bell Washer, .45 x 1.0 x .062
37	738-1132	Shoulder Screw, 1/4-20, .25 x .15
38	736-0322	Flat Washer, .45 x 1.25 x .164
39	629-04047	Harness Assembly, Electric PTO Clutch
40	725-1657A	Switch
41	17962	Switch Plate

**IMPORTANT:** For a proper working machine, use Factory Approved Parts. **V-belts** are designed to engage and disengage safely. A substitute (non OEM) V-belt can be dangerous by not disengaging completely.

**NOTE:** For **painted parts**, please refer to the list of color codes below. Please add the applicable color code, wherever needed, to the part number to order a replacement part. For instance, if a part, numbered 700-xxxx, is painted Oyster Gray, the part number to order would be 700-xxxx-0662.  
 Oyster Gray: 0662  
 Powder Black: 0637  
 Red Metallic: 0650

# Model GT-2150



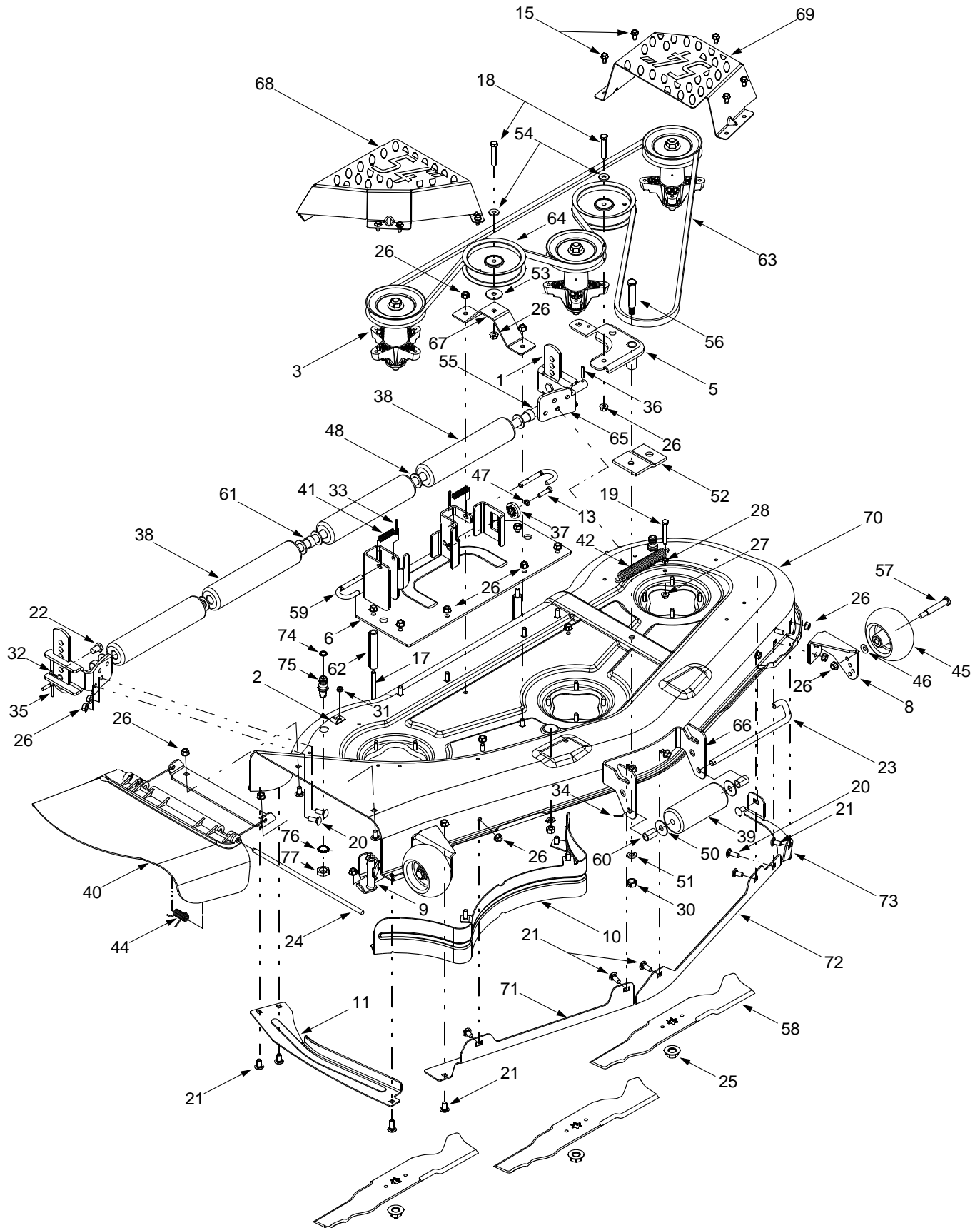
**Model GT-2150**

REF. NO.	PART NO.	DESCRIPTION
1	711-04069	Grass Catcher Pin, 1/4-20
2	17982	Spindle Reinforcement Plate
3	618-0430A	Spindle Assembly, 5.0 Dia.
	756-1187	Pulley Only
4	618-0431	Double Pulley Spindle Assembly
	756-0603	Double Pulley Only
5	683-0254	Deck Adjustment Bracket Assembly
6	683-04053	46-inch Deck Shell
7	710-0167	Carriage Screw, 1/4-20 x .50
8	710-0344	Hex Cap Screw, 3/8-16 x 1.5
9	710-0501	Hex Cap Screw, 1/4-20 x 2.0
10	710-0514	Hex Cap Screw, 3/8-16 x 1.0
11	710-0528	Hex Cap Screw, 5/8-18 x 1.25
12	710-0599	Self-tapping Screw, 1/4-20 x .5
13	710-0650	Self-tapping Screw, 15/16-18 x .875
14	710-0703	Hex Screw, 1/4-20 x .75
15	710-0751	Hex Cap Screw, 1/4-20 x .62
16	710-1260A	Self-tapping Screw, 5/16-18 x .75
17	712-0271	Hex Sems Nut, 1/4-20
18	712-0417A	Hex Flange Nut, 5/8-18
19	712-0431	Flange Lock Nut, 3/8-16
20	712-3006	Hex Nut, 1/4-20
21	712-3027	Hex Flange Lock Nut, 1/4-20
22	714-0470	Cotter Pin, 1/8 x 1.25
23	717-1553B	Deck Adjustment Gear
24	726-0233	Push Nut. .25 x .5
25	731-1032B	Side Discharge Chute Assembly
26	732-0306	Compression Spring, .406 x .531 x 1.75
27	732-0594A	Extension Spring, .91 x 7.3
28	783-0747	LH Belt Cover
29	783-0805A	RH Belt Cover
30	734-0973	Deck Wheel, 5 x 1.38
31	736-0119	Lock Washer, 5/16
32	736-0270	Bell Washer, .265 x .75 x .062
33	738-0347	Shoulder Spacer, .625 x 1.16
34	738-0373	Shoulder Screw
35	742-0611	Three-in-one Blade, Star Center, 16.28"
36	742-0612	Three-in-one Blade, Star Center, 14.88"
37	747-1116	Deck Release Pin
38	754-0349	Deck Belt, Poly
39	738-3056	Shoulder Screw, 1/2-2.5
40	756-0627B	Idler Pulley, 3.5
41	734-3058B	Deck Wheel, 5.0
42	783-0139A	Idler Bracket
43	783-0141	Center Deck Skirt
44	783-0142	RH Deck Skirt
45	721-0417	O-Ring
46	737-04003	Water Nozzle
47	736-0760	Lock Washer, 17 x 23.8 x 1.95
48	712-0641	Hex Nut, M-16 x 1.5

**IMPORTANT:** For a proper working machine, use Factory Approved Parts. **V-belts** are designed to engage and disengage safely. A substitute (non OEM) V-belt can be dangerous by not disengaging completely.



# Model GT-2550



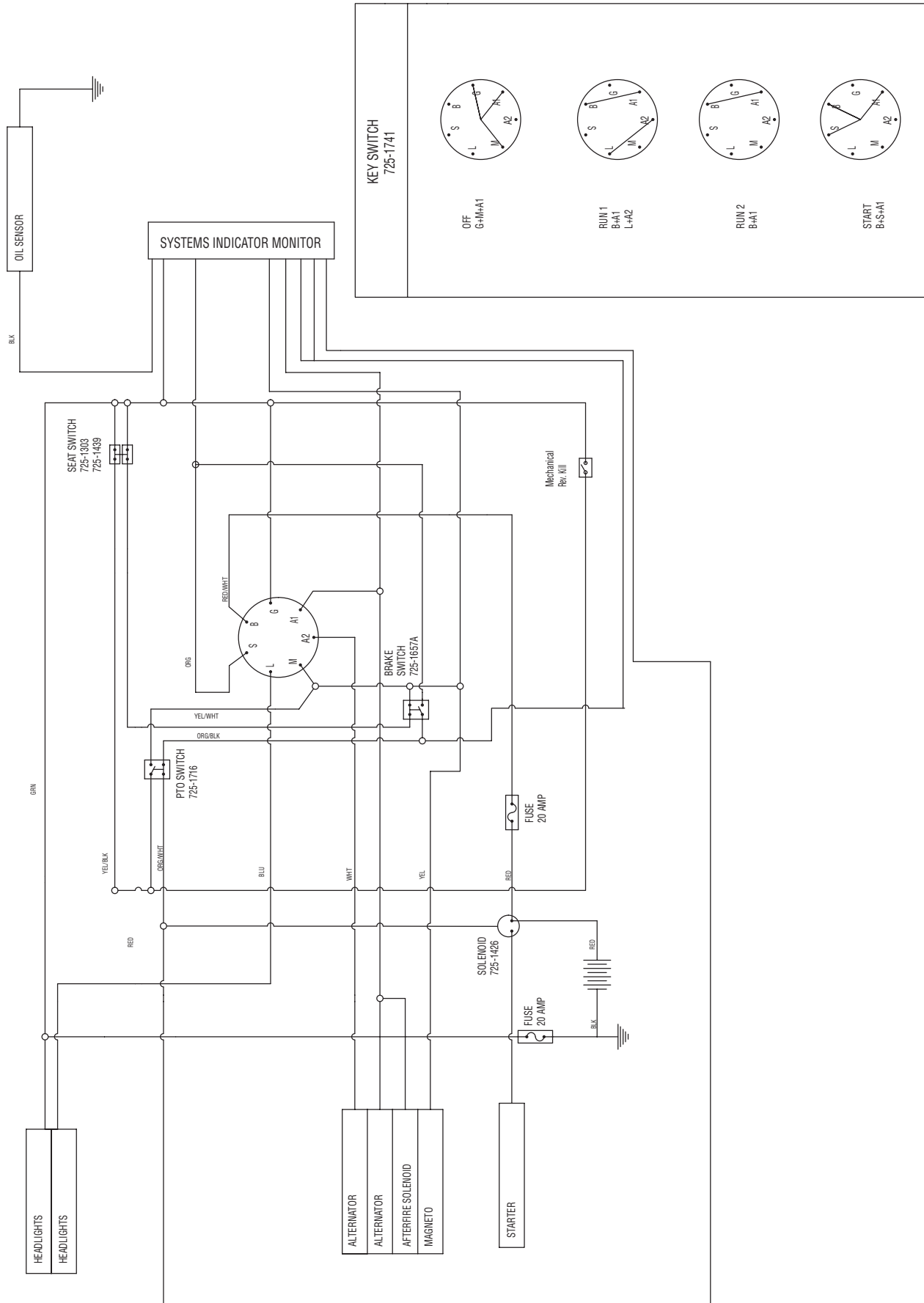
## Model GT-2550

REF. NO.	PART NO.	DESCRIPTION	REF. NO.	PART NO.	DESCRIPTION
1	12650	Bracket, Adjustment, Height	40	731-3131A	Deflector, Chute
2	16606	Bracket, Hook, Retainer	41	732-0306	Spring, Compression, .406 x .531 x 1.75
3	618-0671	Spindle Assembly, Pulley, 5.39 Dia x .5625	42	732-0459	Spring, Extension, .94 Dia x 6.74
4	683-0254	Bracket Assembly, Deck, Hanger LH	43	732-0934	Spring, Extension, 1.15 Dia x 5.99
5	683-0459	Idler Assembly, 54"	44	732-3070	Torsion Spring .44 I.d. x 2.10
6	683-0608	Bracket Assembly, Lift, 54"	45	734-3058B	Deck Wheel, 5" Dia.
7	683-0609	Bracket Assembly, LH-Front	46	736-0105	Washer, Bell, .375 x .870 x .063
8	683-0610	Bracket Assembly, RH-Front	47	736-0119	Washer, Lock, 5/16, Regular Duty
9	683-0617	Stop Assembly, Chute	48	736-0134	Flat Washer, .812 ID x 1.38 OD x .1
10	703-2093	Baffle, RR, Inner	49	736-0171	Washer, Lock, 7/16, Regular Duty
11	703-2392	Bracket	50	736-0208	Flat Washer, .51 ID x 1.5 OD x .07
12	703-3511	Guard, Finger	51	736-0921	Washer, Lock, 1/2, Regular Duty
13	710-0528	Hex Screw, 5/16-18, 1.25, Gr5,	52	783-04013A	Pulley Stabilizer Bracket
14	710-0602	Screw, Self-tapping, 5/16-18, 1.000	53	736-3039	Flat Washer .406 ID X 1.5 x 11ga
15	710-0604A	Screw, Self-tapping, 5/16-18, 0.625	54	736-3072	Washer, Flat .38 ID x.93 OD x.110
16	710-0751	Hex Screw, 1/4-20, .620, Gr5,	55	738-0295	Shoulder Screw, .750 x .47.12
17	710-1644	Screw, Carriage, 3/8-16, Gr5, 5.00	56	738-1229	Shoulder Screw, 5/8 Dia x 2.50 .
18	710-3011	Hex Screw, 3/8-16, 2.25, Gr5,	57	738-3056	Shoulder Screw, 1/2 Dia x 2.50 .
19	710-3073	Hex Screw, 5/16-18, 2.25, Gr5,	58	742-0677	Blade, 18.50"
20	710-3168	Bolt, Carriage, 3/8-16 x 1.0	59	747-1116	Deck Release Handle Rod, .375 Dia
21	710-3178	Short Neck Carriage Bolt 3/8-16 x .75	60	750-0151	Spacer .550 ID x .755 OD x 1.1
22	711-0332	Pin, Clevis, .50 Dia x .78	61	750-0212	Spacer, .82 ID x 1.00 OD x .53
23	711-1737	Pin, Roller, .5" Dia x 10.06 .	62	750-3213	Spacer, .405 x .75 x 3.875
24	711-1762	Pin, Hinge, Dia .375 x 14.06	63	754-0642	Belt, V-Type, B Section
25	712-0417A	Nut, Hex Flange, 5/8-18	64	756-3105	Pulley, Idler, 5.0 Dia.
26	712-0431	Nut, Flange Lock, 3/8-16	65	783-1453	Bracket, Mounting, 54" Roller
27	712-3004A	Nut, Flange Lock, 5/16-18, Gr5	66	783-1454	Bracket, Roller, Front
28	712-3010	Nut, Hex, 5/16-18, Gr5	67	783-1455	Bracket, Idler
29	712-3019	Nut, Hex, 7/16-14, Gr2	68	783-1470	Cover, Spindle RH
30	712-3022	Nut, Hex Lock, 1/2-13	69	783-1471	Cover, Spindle LH
31	712-3027	Lock Nut, 1/4-20, Hex Flange	70	783-04232	Deck Shell Assembly, 54"
32	714-0145	Pin, Click, .092 x 1.64	71	783-1482	RH Skirt
33	714-0470	Pin, Cotter, 1/8 x 1.25	72	783-1483	LH Skirt
34	714-3004	Pin, Cotter, 3/32 x 1.25	73	783-1484	LH Extension Skirt
35	715-0108	Pin, Sprg, 1/4 Dia x 1.00	74	721-0417	O-Ring
36	715-0246	Pin, Spring, 3/16 x 1.25	75	737-04003	Water Nozzle
37	717-1553B	Adjustment, Deck, Gear	76	736-0760	Lock Washer, 17 x 23.8 x 1.95
38	731-0335	Roller, Deck	77	712-0641	Hex Nut, M-16 x 1.5
39	731-3005	Front Roller			

**IMPORTANT:** For a proper working machine, use Factory Approved Parts. **V-belts** are designed to engage and disengage safely. A substitute (non OEM) V-belt can be dangerous by not disengaging completely.

**NOTE:** For **painted parts**, please refer to the list of color codes below. Please add the applicable color code, wherever needed, to the part number to order a replacement part. For instance, if a part, numbered 700-xxxx, is painted Oyster Gray, the part number to order would be 700-xxxx-0662.  
 Oyster Gray: 0662  
 Powder Black: 0637  
 Red Metallic: 0650

# Models GT-2150 & GT-2550



REVISIONS			
REV	DESCRIPTION	DATE	BY

777S32148  
ON DRIVERS RIGHT SIDE  
FACING BAG

**IMPORTANT**  
 • When bagging or mulching, bag must be in correct position or deck will not engage.  
 • When rear discharging, rear discharge deflector must be present and in correct position or deck will not engage.  
 • REFER TO THE OPERATOR'S MANUAL FOR DETAILS.  
 832740.AC

(MODEL PLATE)



777122034  
PLACED AGAINST  
THE BAG HANDLE.



777120391  
ON RIGHT SIDE  
OF DASH

777120776  
On Manual  
PTO Handle



777D03399  
CENTER ON REAR OF BAGGER



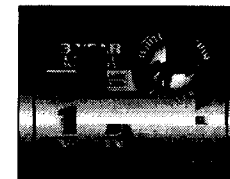
777D06874  
ON ENGINE SPINNER  
FACING SEAT



777D05399  
ON STEERING CAP



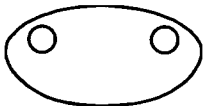
777D06876  
ON ENGINE



(2) 777D03484  
ONE ON MIDDLE OF EACH SIDE  
PLACE BOTTOM OF CUT OUT IN LABEL  
AROUND MOLDED DOT IN PLASTIC PART



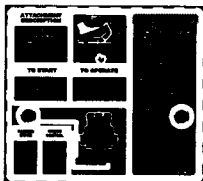
777X40219  
REFLECTIVE LABEL -  
PLACED ON GRILL  
BEHIND HEADLIGHT LENS



777122085  
TO THE LEFT OF  
THE HYDRO RELEASE



777S32130  
PLACE AROUND  
HOLES IN RUNNING  
BOARD



777S30145  
TO THE UPPER  
RIGHT OF THE  
DISCHARGE CHUTE



777D06867  
RIGHT SIDE



777D06868  
LEFT SIDE



(2) 777D06828



777122086  
ON DECK NEAR BELT



(QTY 2) 777S30018  
ON BOTH SIDES  
OF THE DECK



777D06873  
Place On Left Side Of Deck  
Butted Against Deck Nozzle.



MAP DRAWN BY A.SCHAEDLER	DATE: 10/23/02	<b>MTD</b>	MTD PRODUCTS INC P.O. BOX 368022 CLEVELAND, OH 44136-0015
MAP PREPARED BY J.GATHERWOOD	DATE: 10/30/02		
INSTR. & SAFETY CHECKED BY Chris Ruhf	DATE: 10/29/02	ITEM DESCRIPTION <b>13B4516N190</b>	
SHEET OF 1 1			